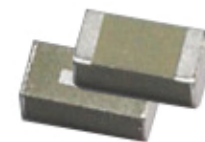


# 5.5 GHz Ceramic Chip Antenna



ACAG0301-5500-T



3.2 x 1.6 x 1.2mm  
RoHS/RoHS II Compliant  
MSL = 1

## FEATURES

- Gain of 4.5dBi
- VSWR  $\leq 2.0$
- Made using LTCC (low temperature co-fired ceramic) technology
- Small form factor 3.2 x 1.6 x 1.2mm
- Omni-directional

## APPLICATIONS

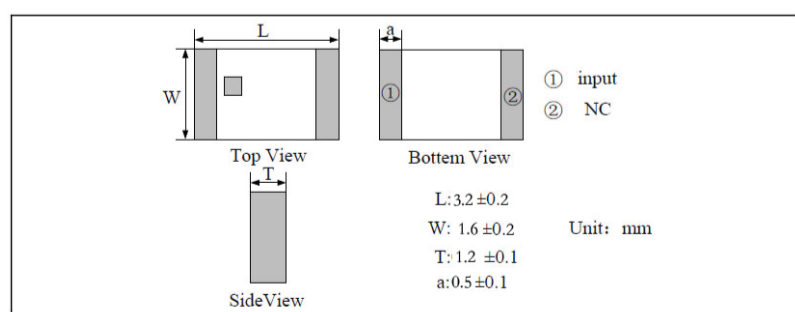
- IoT and wearables
- WiFi/WLAN
- ISM band

## ELECTRICAL CHARACTERISTICS

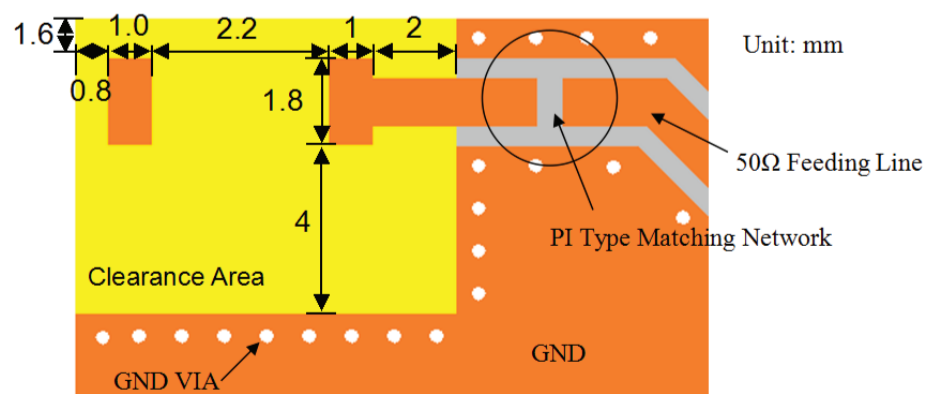
| Item                        | Minimum          |
|-----------------------------|------------------|
| Frequency (No matching)     | 5785 MHz         |
| Frequency (after matching)  | 5500 MHz         |
| Bandwidth                   | 800 MHz typ      |
| VSWR                        | $\leq 2.0$       |
| Impedance                   | 50 $\Omega$      |
| Peak Gain                   | 4.5 dBi          |
| Azimuth                     | Omni-directional |
| Polarization                | Linear           |
| Operating Temperature Range | -40°C ~+ 85°C    |

## MECHANICAL DIMENSIONS (mm)

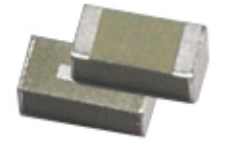
Antenna Dimensions



Layout Dimensions



# 5.5 GHz Ceramic Chip Antenna



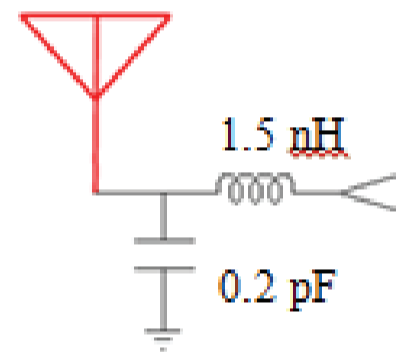
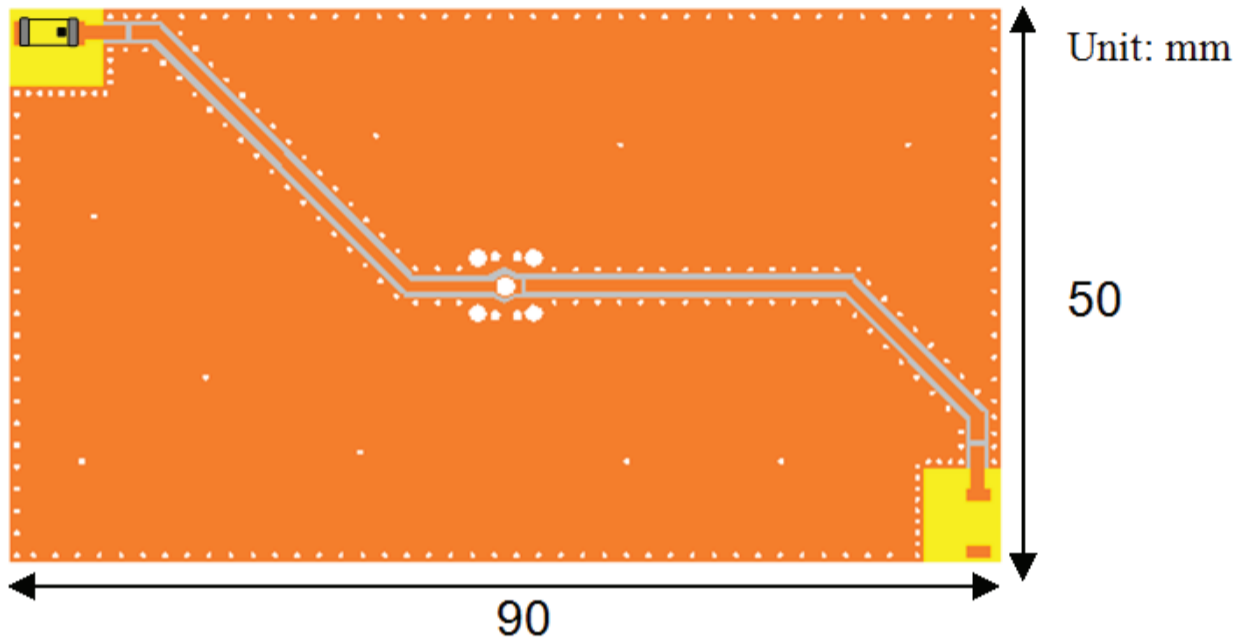
ACAG0301-5500-T



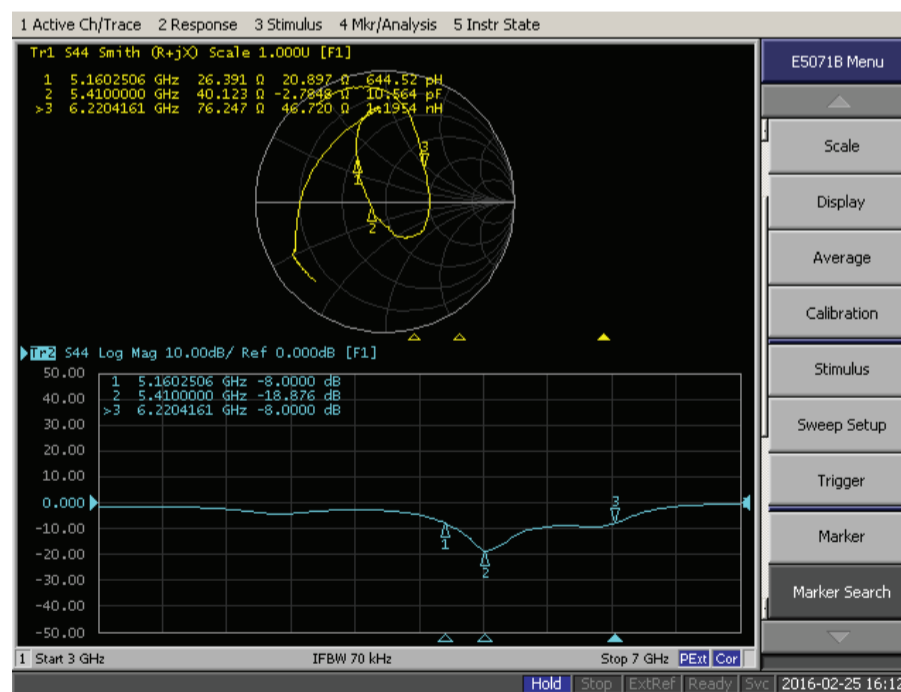
3.2 x 1.6 x 1.2mm  
RoHS/RoHS II Compliant

MSL = 1

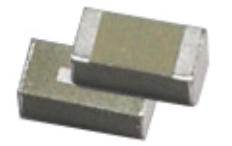
## EVALUATION BOARD AND MATCHING CIRCUITS



## ANTENNA RESPONSE – SMITH CHART AND RETURN LOSS S11



# 5.5 GHz Ceramic Chip Antenna



ACAG0301-5500-T

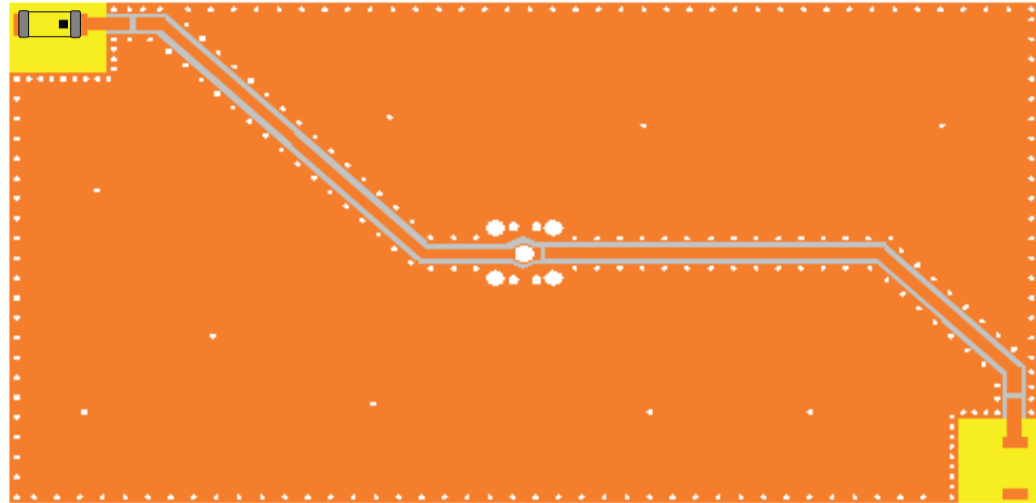
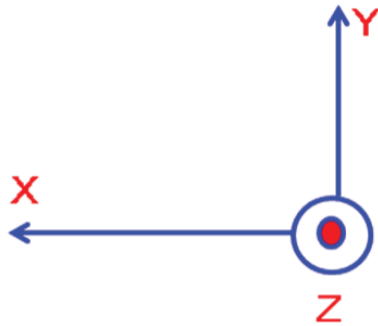


RoHS/RoHS II Compliant

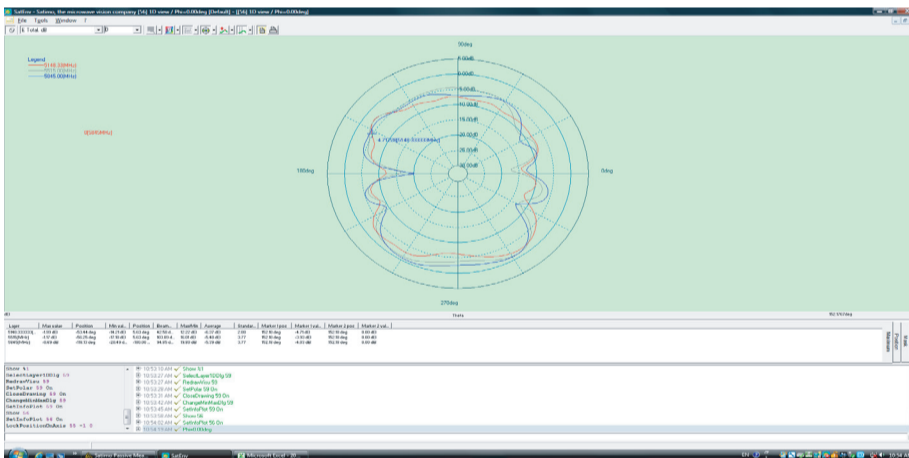
MSL = 1

## RADIATION PATTERNS

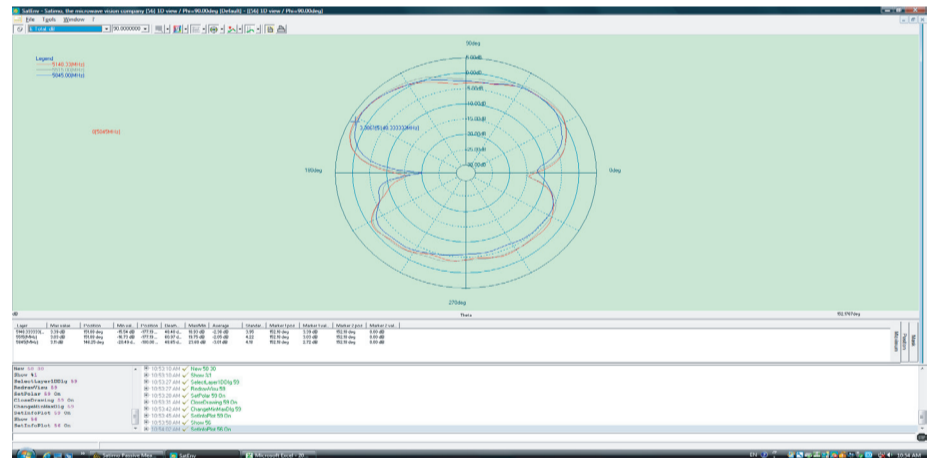
### Coordinates



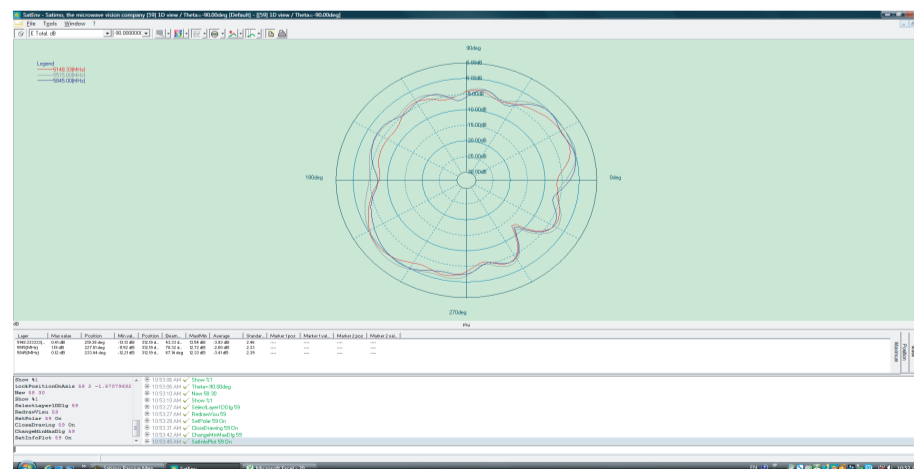
### X-Z Plane



### Y-Z Plane

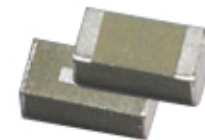


### X-Y Plane



REVISED: 06.21.2018

# 5.5 GHz Ceramic Chip Antenna

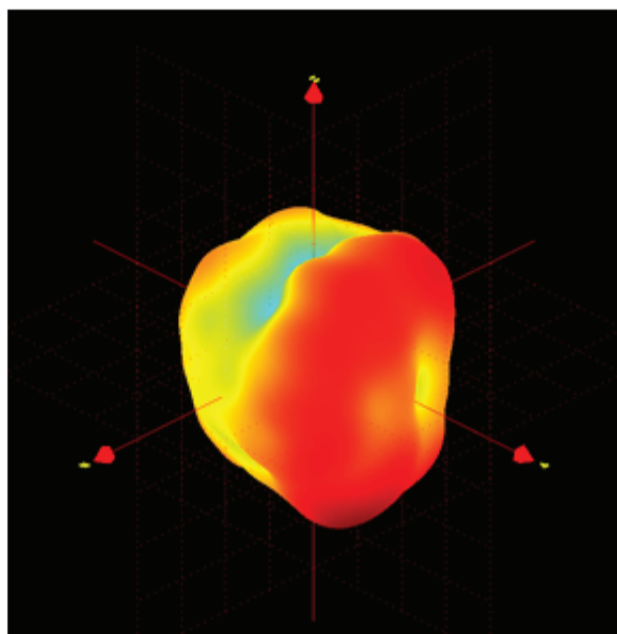


ACAG0301-5500-T



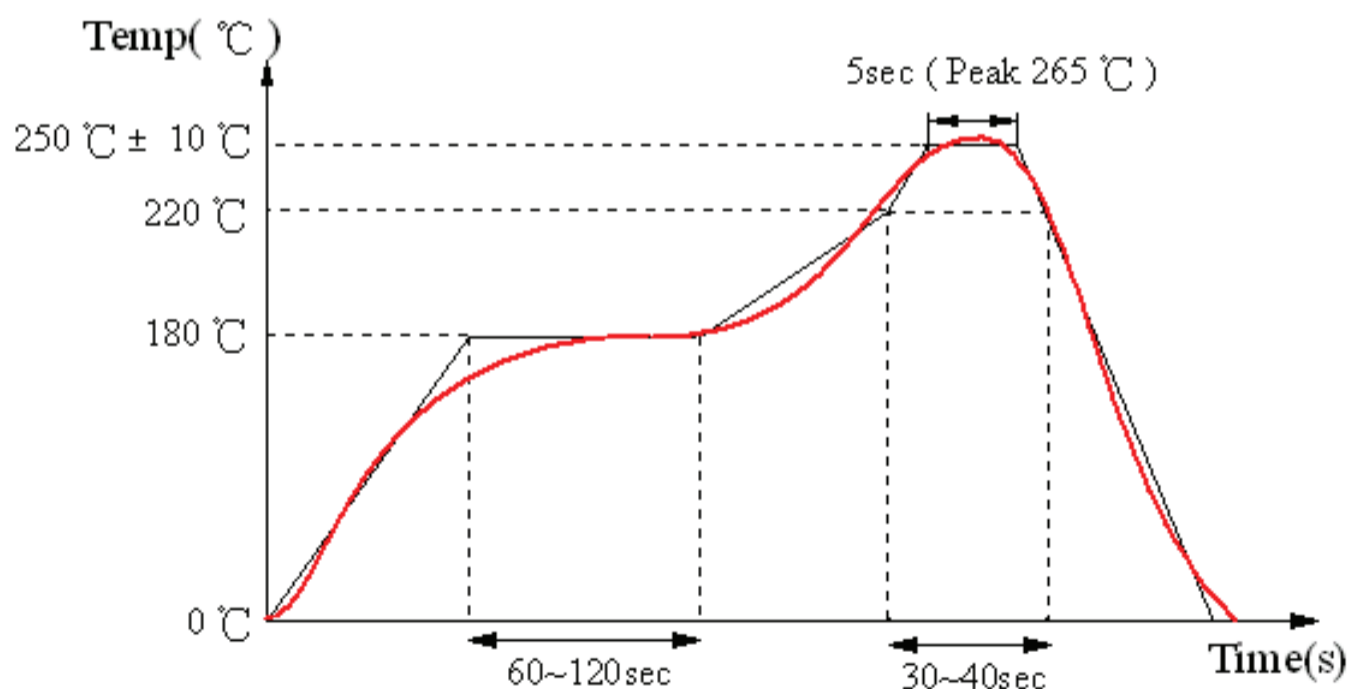
3.2 x 1.6 x 1.2mm  
RoHS/RoHS II Compliant  
MSL = 1

## 3D PATTERNS

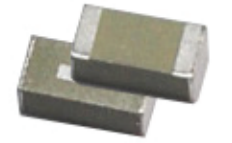


| Frequency (MHz) | 5150  | 5500  | 5850  |
|-----------------|-------|-------|-------|
| Avg. Gain (dBi) | -2.36 | -2.05 | -3.01 |
| Peak Gain (dBi) | 3.98  | 4.5   | 4.06  |
| Efficiency (%)  | 60    | 72    | 63    |

## REFLOW SOLDERING STANDARD CONDITION



# 5.5 GHz Ceramic Chip Antenna



ACAG0301-5500-T



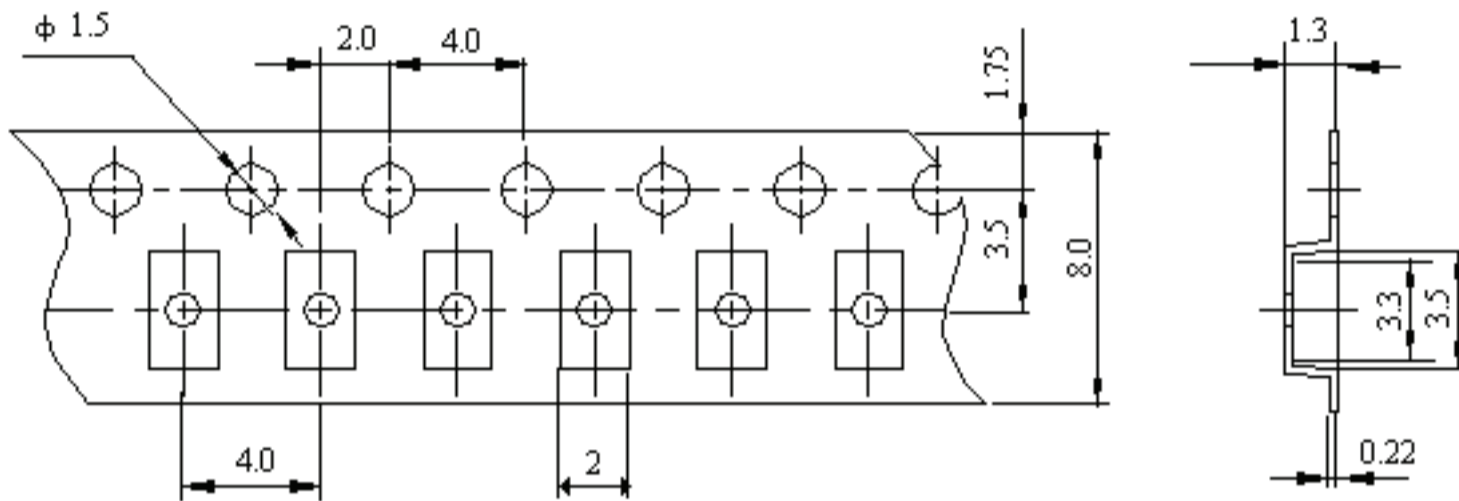
3.2 x 1.6 x 1.2mm  
RoHS/RoHS II Compliant  
MSL = 1

## PACKAGING

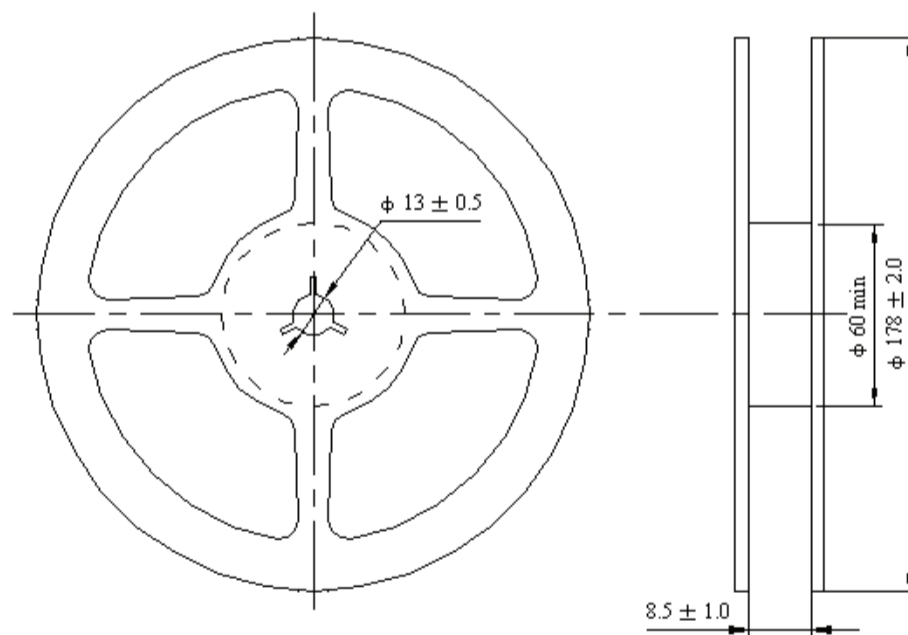
Reel (3000 pcs/Reel)

Size of the carton: 330 x 210 x 210 mm

### Tape Dimensions: mm



### Reel Dimensions: mm



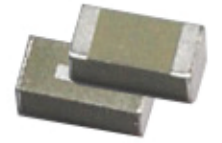
Storage Temperature Range : <30 degree C, Humidity : <60%RH

MSL - 1

Oxidizable, 12 months in a vacuum sealed bag.

Once opened, please repack the unused items within 168 hours by re-seal package treatment.

# 5.5 GHz Ceramic Chip Antenna



ACAG0301-5500-T



3.2 x 1.6 x 1.2mm  
RoHS/RoHS II Compliant  
MSL = 1

## CAUTIONS

---

### 1. Static voltage

Static voltage between signal & ground may cause deterioration & destruction of the component. Please avoid static voltage.

### 2. Ultrasonic cleaning

Ultrasonic vibration may cause deterioration & destruction of the component. Please avoid ultrasonic cleaning.

### 3. Soldering

Only leads of the component may be soldered. Please avoid soldering to any other part of the component, such as on the patterns as this will change the performance of the antenna.

## X-ON Electronics

Largest Supplier of Electrical and Electronic Components

*Click to view similar products for [Antennas](#) category:*

*Click to view products by [Abracon](#) manufacturer:*

Other Similar products are found below :

[GAN30084EU](#) [930-033-R](#) [GW17.07.0250E](#) [1513563-1](#) [EXE902SM](#) [APAMPG-117](#) [MAF94383](#) [W3908B0100](#) [W6102B0100](#) [YE572113-30RSMM](#) [108-00014-50](#) [66089-2406](#) [A09-F8NF-M](#) [A09-F5NF-M](#) [RGFRA1903041A1T](#) [W3593B0100](#) [W3921B0100](#) [SIMNA-868](#) [SIMNA-915](#) [SIMNA-433](#) [W1044](#) [W1049B090](#) [A75-001](#) [WTL2449CQ1-FRSMM](#) [CPL9C](#) [EXB148BN](#) [0600-00060](#) [TRA9020S3PBN-001](#) [GD5W-28P-NF](#) [MA9-7N](#) [GD53-25](#) [GD5W-21P-NF](#) [EXB144SM](#) [C37](#) [MAF94051](#) [GD35-17P-NF](#) [P1744](#) [MA9-5N](#) [EXD420PL](#) [B1322NR](#) [QWFTB120](#) [MAF94271](#) [MAF94300](#) [GPSMB301](#) [FG4403](#) [AO-AGSM-OM54](#) [5200232](#) [MIKROE-2349](#) [WCM.01.0111](#) [MIKROE-2393](#)