

# LPWA/WiFi Ceramic Chip Antenna Evaluation Board

ACAR3005-C2WB-EVB

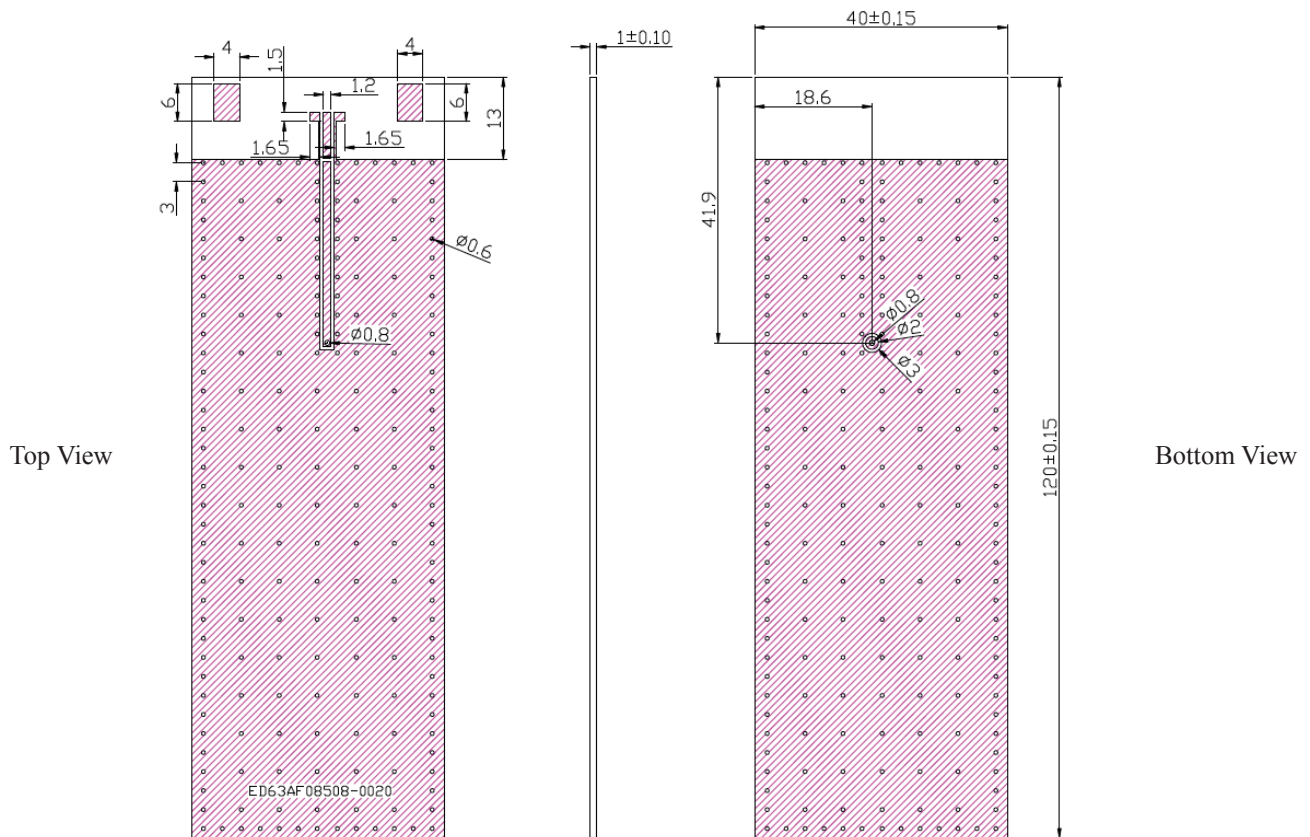
120.0 x 40.0 mm

## Description

ACAR3005-C2WB-EVB Evaluation boards are designed to provide a means to facilitate engineering evaluation of the dual band chip antenna : ACAR3005-C2WB-T. With a typical bandwidth of 136 MHz and 100 MHz between 824~960 MHz and 2400~2500 MHz respectively, the chip can be used for applications including but not limited to LPWA, Wi-Fi, Bluetooth, BLE and ISM.

To evaluate the performance of antenna, calibrate the Vector Network analyzer (VNA) for the testing frequency band and connect the evaluation board to the calibrated port using the given SMA connector on the board.

## Evaluation Board with Matching Circuits



Evaluation Board dimension : 120 x 40 mm

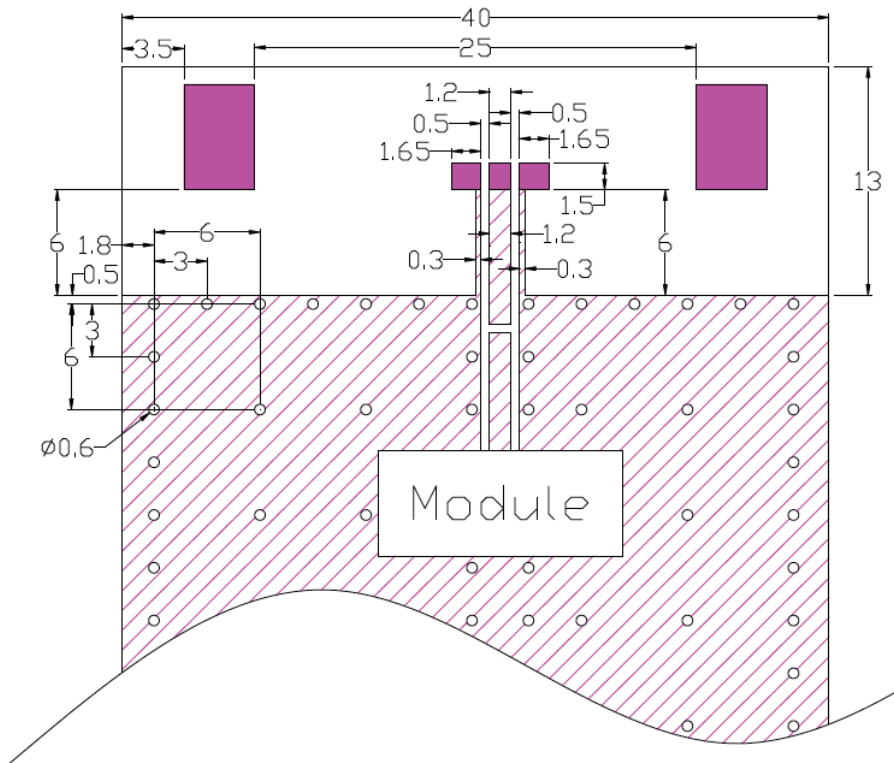
Unit: mm

# LPWA/WiFi Ceramic Chip Antenna Evaluation Board

ACAR3005-C2WB-EVB

120.0 x 40.0 mm

## Chip Antenna Layout



Unit: mm

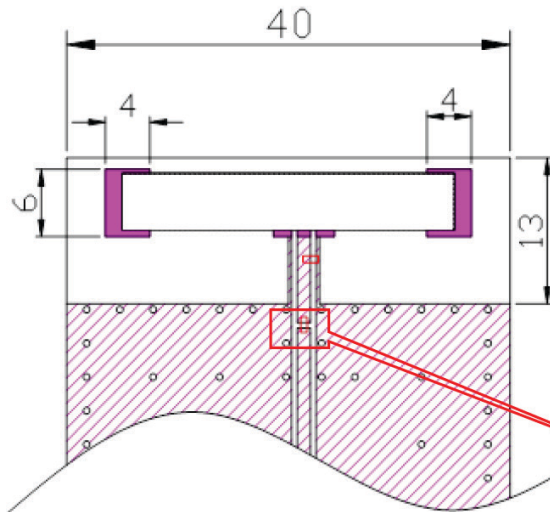
# LPWA/WiFi Ceramic Chip Antenna Evaluation Board

ACAR3005-C2WB-EVB

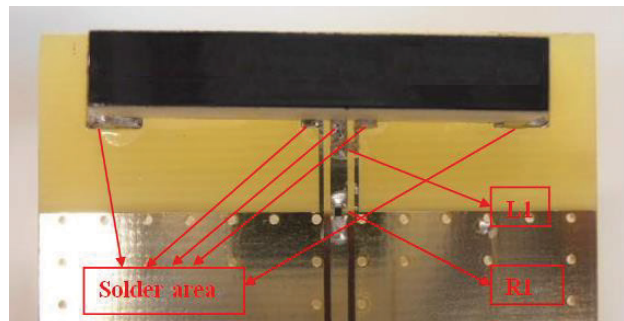
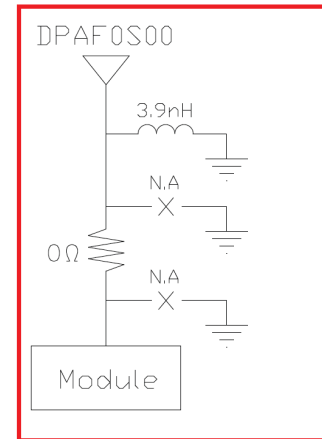
120.0 x 40.0 mm

## Matching Network on EVB

Antenna matching network is designed using a combination of inductor and resistor near the input terminal.



Pi-matching network



| Circuit Symbol | Size | Description |
|----------------|------|-------------|
| L1             | 0402 | 3.9 nH      |
| R1             | 0402 | 0 Ω         |

### Note :

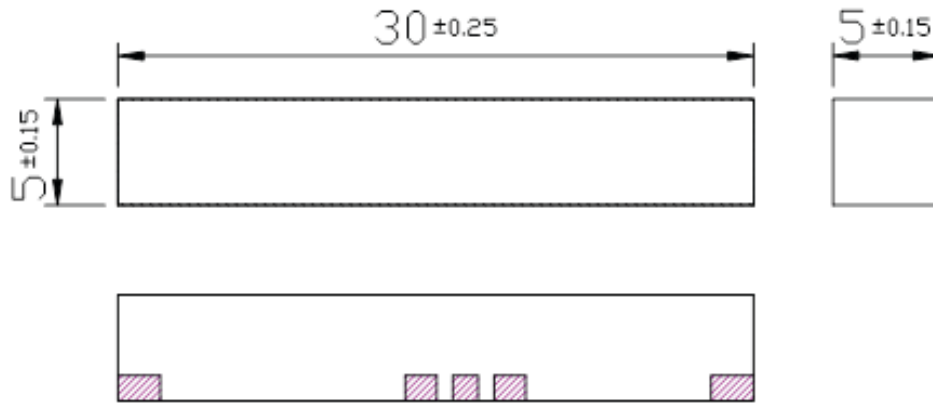
1. Yellow space around the chip antenna in “Matching Network on EVB” represents the ground clearance area.
2. Desired clearance area : 40 x 13 mm
3. Width of the 50 Ω line is designed in accordance with the PCB thickness and material considered.
4. Matching network (Pi - network) provided is in accordance with the EVB layout and matching will differ in the actual customer PCB depending on the layout.

# LPWA/WiFi Ceramic Chip Antenna Evaluation Board

ACAR3005-C2WB-EVB

120.0 x 40.0 mm

## Chip Antenna Dimension



Unit: mm

**ATTENTION:** Abracon LLC's products are COTS – Commercial-Off-The-Shelf products; suitable for Commercial, Industrial and, where designated, Automotive Applications. Abracon's products are not specifically designed for Military, Aviation, Aerospace, Life-dependent Medical applications or any application requiring high reliability where component failure could result in loss of life and/or property. For applications requiring high reliability and/or presenting an extreme operating environment, written consent and authorization from Abracon LLC is required. Please contact Abracon LLC for more information.



5101 Hidden Creek Ln Spicewood TX 78669  
Phone: 512-371-6159 | Fax: 512-351-8858  
For terms and conditions of sales, please visit:  
[www.abracon.com](http://www.abracon.com)

REVISED: 09-2-19

ABRACON IS  
ISO9001-2015  
CERTIFIED

## X-ON Electronics

Largest Supplier of Electrical and Electronic Components

*Click to view similar products for [Antenna Development Tools](#) category:*

*Click to view products by [Abracon](#) manufacturer:*

Other Similar products are found below :

[0868AT43A0020-EB1SMA](#) [EVALBGSA141MN10TOBO1](#) [A10393-U1](#) [PCSD.06.A](#) [B5771-U1](#) [KIT-LTE-GNSS-01](#) [KIT-WIFI-ISM-01](#)  
[A10472-U1](#) [REFLECTOR-EVB-1](#) [A10340-U1](#) [ACAG0201-2450-EVB](#) [ACAG0301-15752450-EVB](#) [ACAG0301-1575-EVB](#) [ACAG0301-24505500-EVB](#) [ACAG0301-5500-EVB](#) [ACAG0801-2450-EVB](#) [ACAG1204-433-EVB](#) [ACAG1204-868-EVB](#) [ACAG1204-915-EVB](#)  
[ACAR0301-SW2-EVB](#) [ACAR3005-C2WB-EVB](#) [ACAR3005-S824-EVB](#) [ACAR3705-S698-EVB](#) [ACAR4008-S698-EVB](#) [A10137-D](#)  
[A10194-U1](#) [A10204-U1](#) [A5645H-EVB-1](#) [A5645-U1](#) [A5887H-EVB-1](#) [A6111-U1](#) [M20057-EVB-1](#) [SR42W001-U1](#) [SR42W009-U1](#)  
[SR4G008-U1](#) [SR4G013-U1](#) [SR4G053-EVB-1](#) [SR4L049-EVB-1](#) [SRC5G027-U1](#) [SRCW004-U1](#) [1001312-01](#) [M310220-01](#) [M620720-01](#)  
[M830120-01](#) [M830520-01](#) [EB\\_NN01-105A](#) [EB\\_NN02-201-5G](#) [CCKLTE450-NA](#) [AEK-GNCP-TH258L15](#) [MPA-104- KIT](#)