

Common Mode Choke Coil

ACM-0603



RoHS/RoHS II Compliant



1.60 x 0.85 x 1.10mm

FEATURES:

- These low profile design to save PCB space
- Very low DC resistance
- Wide impedance range from 22ohm to 250ohm

APPLICATIONS:

- Elimination of common mode noise in high-speed, differential mode signal transmission applications such as USB 2.0, IEEE1394 and LVDS.

STANDARD SPECIFICATIONS

Abrakon P/N:	ACM-0603
Operating Temperature	-40°C to +85°C
Storage Temperature	-10°C to +40°C, 70% RH max. in tape and reel

Part Number ACM-0603- Impedance Code	Common Mode Impedance @100MHz	DCR	Rated Current	Rated Voltage	Withstanding Voltage	Insulation Resistance
Units	$\Omega \pm 25\%$	Ω (max.)	mA	Vdc	Vdc	M Ω (min.)
ACM-0603-220	22	0.080	500	50	125	10
ACM-0603-450	45	0.110	500	50	125	10
ACM-0603-900	90	0.145	500	50	125	10
ACM-0603-121	120	0.175	500	50	125	10
ACM-0603-181	180	0.210	500	50	125	10
ACM-0603-251	250	0.280	400	50	125	10

Test Conditions

1. Inductance is measured in HP4287A at frequency of 100MHz
2. Rated Current: For 15°C rise in temperature

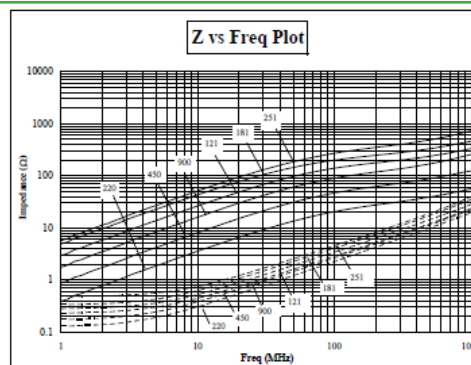
PART IDENTIFICATION:

ACM-0603- -

Impedance Code
Please refer to the Table

Packaging
T: 2kpcs/reel

ELECTRICAL CHARACTERISTIC CURVES



Solid Line: Common Mode
Dotted Line: Differential Mode

ABRACON IS
ISO 9001:2008
CERTIFIED



Visit www.abracon.com for Terms & Conditions of Sale
30332 Esperanza, Rancho Santa Margarita, California 92688
tel 949-546-8000 | fax 949-546-8001 | www.abracon.com

Revised: 10.14.13

Common Mode Choke Coil

ACM-0603



RoHS/RoHS II Compliant



1.60 x 0.85 x 1.10mm

TEST CIRCUIT:

Parameter	Terminal to be tested
Common Mode Impedance	
Withstanding Voltage	
DC Resistance	
Rated Current	
Insulation Resistance	

OUTLINE DIMENSIONS:



Remark : : Electrode
() : Reference Value

Recommended Land Pattern



Schematic



Material Structure



Termination: Ag followed by Nickel, then gold plating.

Common Mode Choke Coil

ACM-0603



RoHS/RoHS II Compliant



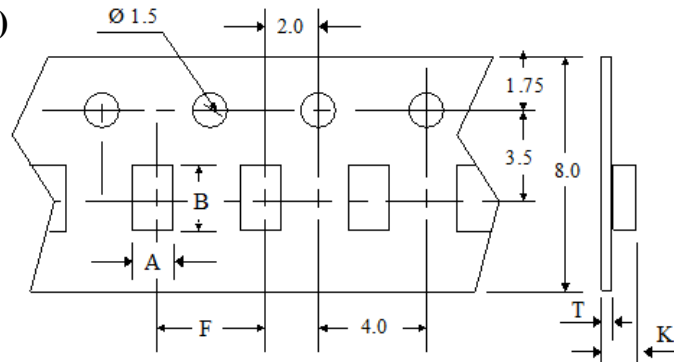
1.60 x 0.85 x 1.10mm

REFLOW PROFILE:



TAPE & REEL:

T= tape and reel (2,000pcs/reel)



A	B	F	K	T
1.05±0.10	1.85±0.10	4.00±0.10	1.15±0.10	0.23±0.10



Dimension: mm

ATTENTION: Abracon Corporation's products are COTS – Commercial-Off-The-Shelf products; suitable for Commercial, Industrial and, where designated, Automotive Applications. Abracon's products are not specifically designed for Military, Aviation, Aerospace, Life-dependant Medical applications or any application requiring high reliability where component failure could result in loss of life and/or property. For applications requiring high reliability and/or presenting an extreme operating environment, written consent and authorization from Abracon Corporation is required. Please contact Abracon Corporation for more information.

ABRACON IS
ISO 9001:2008
CERTIFIED



Visit www.abracon.com for Terms & Conditions of Sale **Revised: 10.14.13**
30332 Esperanza, Rancho Santa Margarita, California 92688
tel 949-546-8000 | fax 949-546-8001 | www.abracon.com

X-ON Electronics

Largest Supplier of Electrical and Electronic Components

Click to view similar products for [Common Mode Chokes / Filters](#) category:

Click to view products by [ABRACON](#) manufacturer:

Other Similar products are found below :

[74279408](#) [PE-62911NL](#) [PE-64683](#) [ST6118T-R](#) [T8114NLT](#) [RD5122-10-6M0](#) [TCM0806G-350-2P-T](#) [TCM0806G-650-2P-T](#) [IND-0110](#)
[UAL21V07012500](#) [UAL21VR0802000](#) [UAL24VR06500CH](#) [UALSC023000000](#) [UALSC1020JH000](#) [UALSC1520JH000](#)
[UALSU10VR20010](#) [UALSU16VD30030](#) [UALSU16VD40010](#) [UALSU9H0305000](#) [UALSU9HF060300](#) [UALSU9VD070100](#) [36-00037](#)
[5701610000](#) [UALW21HS072450](#) [UALSU9VD070400](#) [UALSU9HF050500](#) [UALSU9H0208000](#) [UALSCF25081300](#) [UAL24VK06450CH](#)
[PLT10HH501100PNB](#) [PLT10HH401100PNB](#) [PLT10HH1026R0PNB](#) [PE-67531](#) [EXC-X4CH120X](#) [TLH10UB 113 0R5](#) [2752041447](#)
[2752045447](#) [CMS3-11-R](#) [7351V](#) [CMF16-153131](#) [744252510](#) [T8116NLT](#) [FE2X10-4-2NL](#) [744253200](#) [744253101](#) [744252220](#) [TX8111NLT](#)
[UAL30VR3500470](#) [CTX01-19077-R](#) [T8003NLT](#)