



Automotive Power Common Mode Chokes

ACMP-Q3226

Request Samples



Check Inventory



3.2 x 2.5 x 2.35 mm
RoHS/RoHS II Compliant
MSL Level = 1

Features

- AEC-Q200 compliant, Grade 1
- PPAP ready and supported
- Manufactured in TS/IATF 16949 production lines
- Excellent impedance characteristics
- low DCR

Applications

- DC power line common mode noise suppression.
- Multimedia devices
- Automotive power train
- Automotive infotainment

Electrical Specifications

Part Number	Impedance (Ω) $\pm 25\%$ @100MHz	DCR (m Ω)	Rated Current (A)	Rated Voltage (Vdc)	Insulation Resistance (Ω)
		Max	Max	Max	Min
ACMP-Q3226-501	500	180	0.8	50	10
ACMP-Q3226-102	1000	200	0.75	50	10
ACMP-Q3226-242	2400	300	0.64	50	10

Rated Current is based on an Irms temperature rise of 40°C

ACMP-Q3226 is AEC-Q200 Automotive certified

ACMP-Q3226 Series is **RoHS Compliant and Pb free**

Operating Temperature: -40°C to +125°C (AEC-Q200 Grade 1)

Storage Temperature (on PCB): -40°C to +125°C

Storage (in original packaging): <40°C, <70% RH



5101 Hidden Creek Ln, Spicewood TX 78669
Phone: 512-371-6159 Fax: 512-351-8858
For terms and conditions of sales, please visit:
www.abracon.com

REVISION Initial Release
3/31/2022

ABRACON IS
ISO9001-2015
CERTIFIED



Automotive Power Common Mode Chokes

ACMP-Q3226

Request Samples

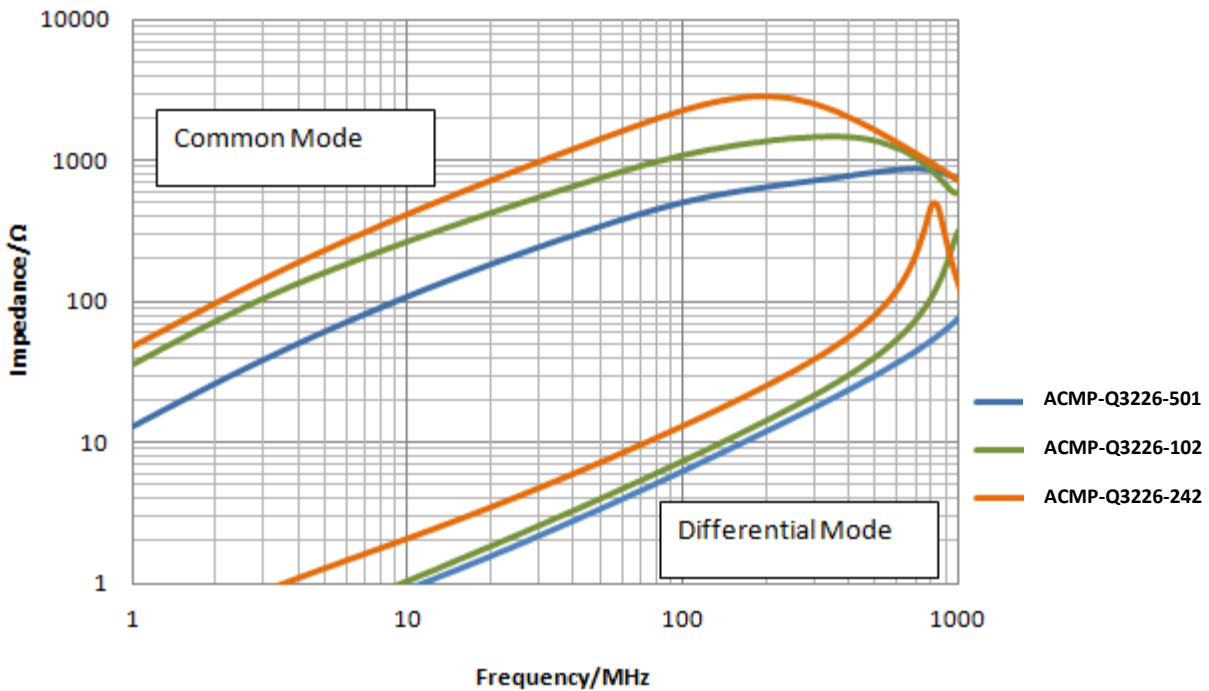


Check Inventory



3.2 x 2.5 x 2.35 mm
RoHS/RoHS II Compliant
MSL Level = 1

Electrical Specifications





Automotive Power Common Mode Chokes

ACMP-Q3226

Request Samples

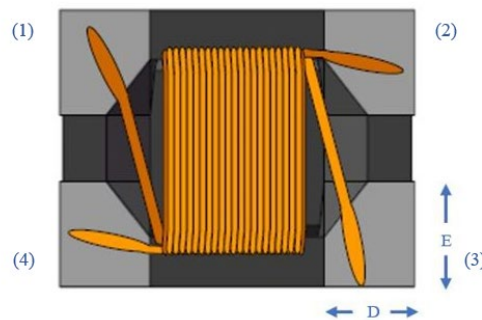
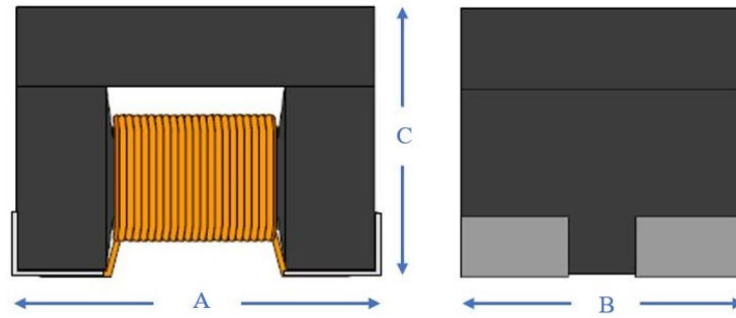


Check Inventory

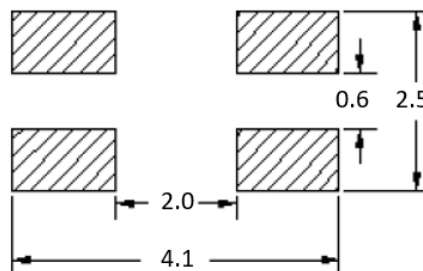


3.2 x 2.5 x 2.35 mm
RoHS/RoHS II Compliant
MSL Level = 1

Mechanical Specifications



A	B	C	D	E
3.2 ±0.2	2.5 ±0.2	2.35 ±0.2	0.8	0.95



Recommended Layout

Dimensions: mm



5101 Hidden Creek Ln, Spicewood TX 78669
Phone: 512-371-6159 Fax: 512-351-8858
For terms and conditions of sales, please visit:
www.abracon.com

REVISION Initial Release
3/31/2022

ABRACON IS
ISO9001-2015
CERTIFIED



Automotive Power Common Mode Chokes

ACMP-Q3226

Request Samples

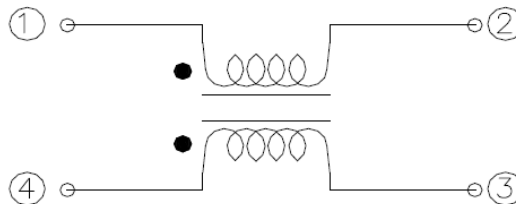


Check Inventory

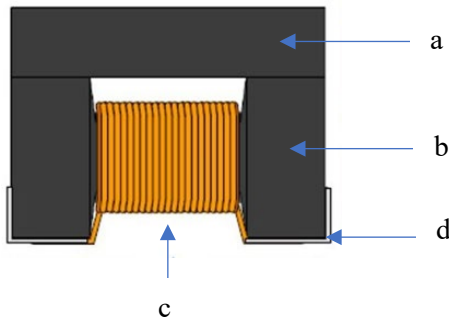


3.2 x 2.5 x 2.35 mm
RoHS/RoHS II Compliant
 MSL Level = 1

Schematic

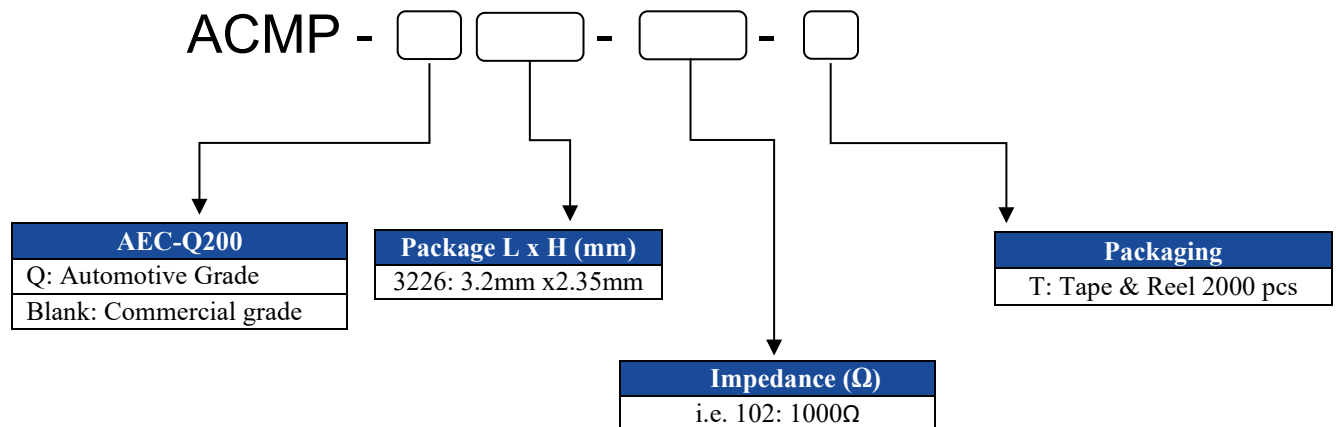


Materials



	Description	Specification
a	Upper Plate	Ni-Zn Ferrite
b	Core	Ni-Zn Ferrite
c	Wire	Enameled copper wire
d	Electrode	Ag/Ni/Sn

Part Identification





Automotive Power Common Mode Chokes

ACMP-Q3226

Request Samples

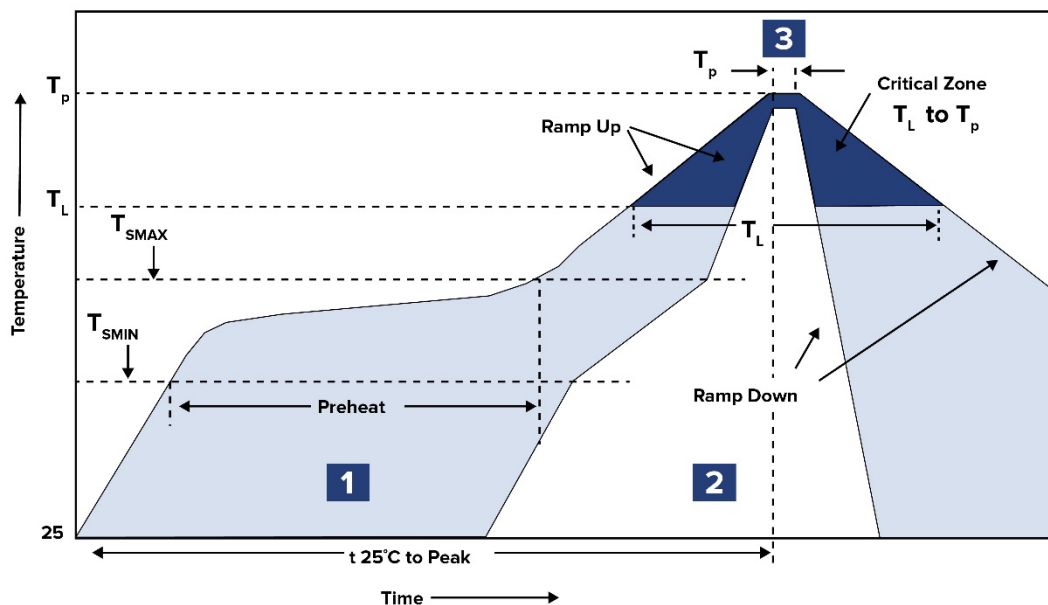


Check Inventory



3.2 x 2.5 x 2.35 mm
 RoHS/RoHS II Compliant
 MSL Level = 1

Reflow Profile



Zone	Description	Temperature	Times
1	Preheat	$T_{SMIN} \sim T_{SMAX}$ 150°C ~ 200°C	60 ~ 120 sec.
2	Reflow	T_L 217°C	60 ~ 90 sec.
3	Peak heat	T_p 260°C MAX	10 sec. MAX



Automotive Power Common Mode Chokes

ACMP-Q3226

Request Samples



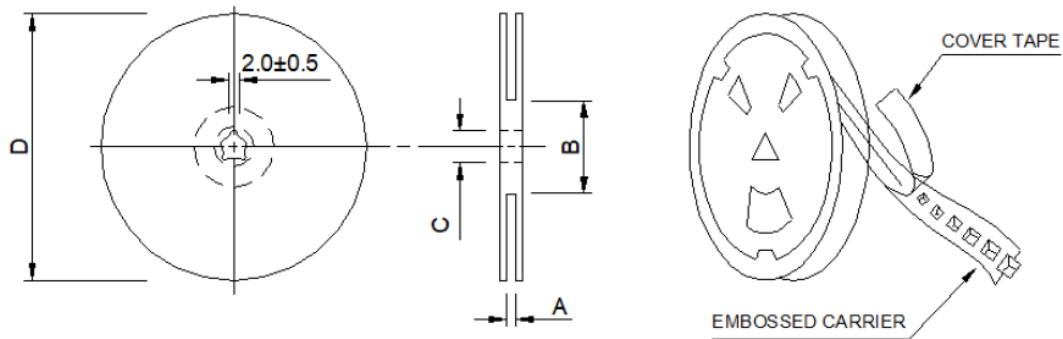
Check Inventory



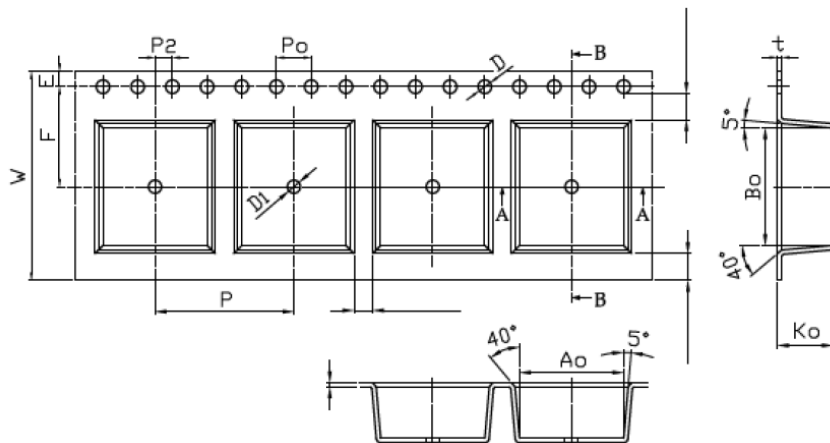
3.2 x 2.5 x 2.35 mm
RoHS/RoHS II Compliant
 MSL Level = 1

Packaging

Tape & Reel: 2000pcs/reel



Series	A	B	C	D
ACMP-Q3226	13.0 ±0.5	100.0 ±2.0	13.0 ±0.2	330



W	P	E	F	P0	P2	Bo	Ao	Ko	D	t
12.0 ±0.10	8.0 ±0.10	1.75 ±0.10	5.55 ±0.10	4.0 ±0.10	2.0 ±0.10	3.6 ±0.10	2.9 ±0.10	2.6 ±0.10	1.5 +0.10/-0	0.3 ±0.05

Dimensions: mm

ATTENTION: Abracon LLC's products are COTS – Commercial-Off-The-Shelf products; suitable for Commercial, Industrial and, where designated, Automotive Applications. Abracon's products are not specifically designed for Military, Aviation, Aerospace, Life-dependent Medical applications or any application requiring high reliability where component failure could result in loss of life and/or property. For applications requiring high reliability and/or presenting an extreme operating environment, written consent and authorization from Abracon LLC is required. Please contact Abracon LLC for more information.



5101 Hidden Creek Ln, Spicewood TX 78669
 Phone: 512-371-6159 Fax: 512-351-8858
 For terms and conditions of sales, please visit:
www.abracon.com

REVISION Initial Release
 3/31/2022

ABRACON IS
 ISO9001-2015
 CERTIFIED

X-ON Electronics

Largest Supplier of Electrical and Electronic Components

Click to view similar products for [Common Mode Chokes / Filters](#) category:

Click to view products by [Abracon](#) manufacturer:

Other Similar products are found below :

[PE-64683](#) [RD5122-6-9M6](#) [ST6118T-R](#) [FE3X025-10-7NL](#) [T8114NLT](#) [TCM0806G-350-2P-T](#) [TCM0806G-650-2P-T](#) [IND-0110](#)
[UAL21VR0802000](#) [UALSC023000000](#) [UALSC1020JH000](#) [UALSU10VD20010](#) [UALSU9VD070100](#) [36-00037](#) [CM7060M132R-10](#)
[UALW21HS072450](#) [UALSU9H0208000](#) [UAL24VK06450CH](#) [PE-67531](#) [TLH10UB](#) [113 OR5](#) [2752045447](#) [CM8663Z161B-10](#) [7351V](#)
[CMF16-153131](#) [T8116NLT](#) [CMS2-10-R](#) [FE2X10-4-2NL](#) [T8003NLT](#) [CTX01-13663](#) [CTX66-19521-R](#) [RC212-0.5-10M](#) [RC112-0.4-15M](#)
[RC212-0.6-6M8](#) [RC212-0.4-15M](#) [RC112-0.3-30M](#) [4534-3](#) [WTCF2012Z0M751PB](#) [PH9408.814NLT](#) [B82498B3221J000](#) [PAC6006.364NLT](#)
[PAC6006.444NLT](#) [PAC6006.204NLT](#) [PH9407.204NLT](#) [PAC6006.264NLT](#) [PH9408.105NLT](#) [PH9408.494NLT](#) [PAC6006.104NLT](#)
[CM6350R-683-REEL](#) [CUW43T-513T-AU](#) [CUW43T-104T-AU](#)