

# Signal Common Mode Chokes



## ACMS-1065 Series

Request Samples



Check Inventory



10 x 8.7 x 6.5mm  
RoHS/RoHS II Compliant  
MSL Level = 1

### Features

- Commercial Grade
- PPAP ready and supported
- Excellent impedance characteristics
- Rated current up to 2.5A
- Low DCR

### Applications

- Signal line common mode noise suppression.
- Differential signaling lines
- Multimedia devices

### Electrical Specifications

Part Number	Inductance (uH)	DCR (mΩ)	Rated Current (A)	Common Impedance (Ω)	Rated Voltage (Vdc)	Leakage Inductance (nH)
	±40%	Max	Typ.	Max	Max	Typ.
ACMS-1065-121	120	25	2.5	460	80	860
ACMS-1065-221	220	32	2.2	780	80	1300
ACMS-1065-251	250	35	2.0	970	80	1500
ACMS-1065-471	470	65	1.6	1750	80	3000
ACMS-1065-102	1000	180	0.95	3600	80	5900
ACMS-1065-222	2200	300	0.75	7500	80	130
ACMS-1065-332	3300	360	0.65	8900	80	130
ACMS-1065-392	3900	540	0.52	9600	80	150
ACMS-1065-472	4700	720	0.35	13000	80	270

**Inductance Test Conditions: 100KHz/0.1V**

**Leakage Inductance Test Conditions: 1MHz/1mA**

**Rated Current is based on an Irms temperature rise of 40°C**

**Operating Temperature: -40°C to +125°C (Including self-heating)**

**Storage (in original packaging): <40°C, <70% RH**

**ACMS-1065 Series is RoHS Compliant and Pb free**

# Signal Common Mode Chokes



**ACMS-1065 Series**

Request Samples

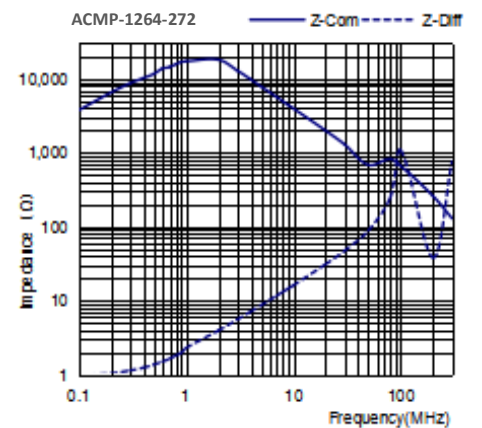
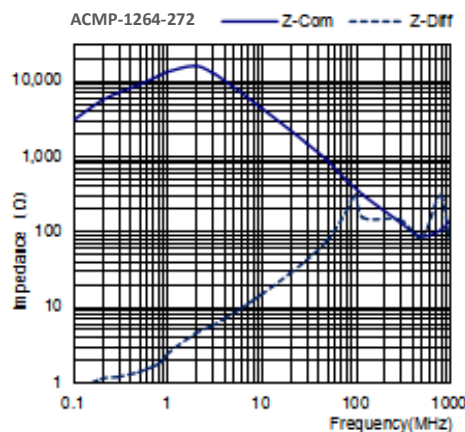
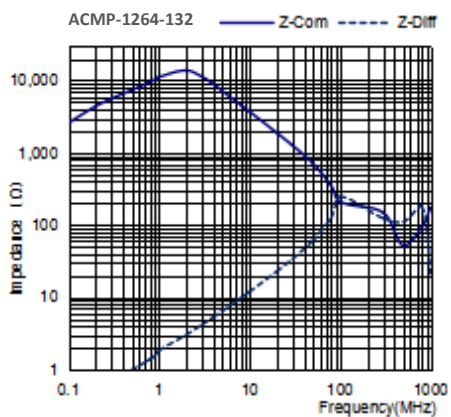
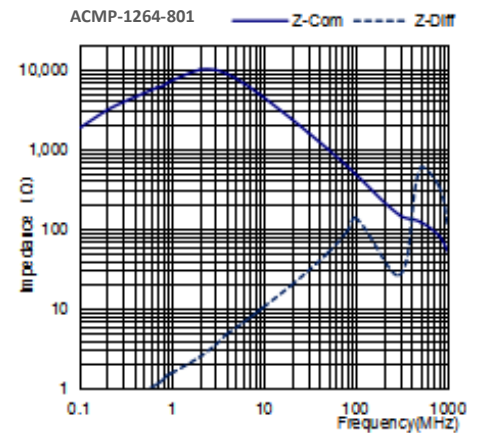
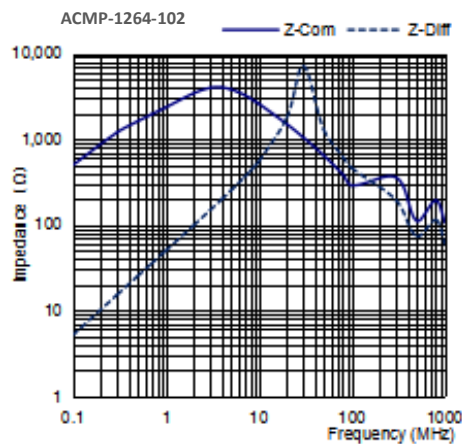
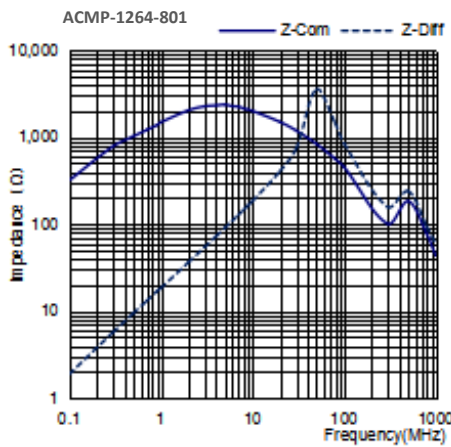
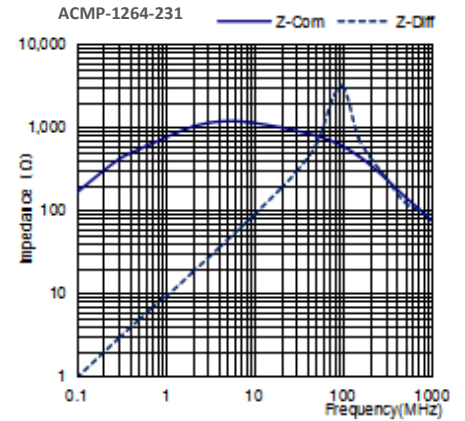
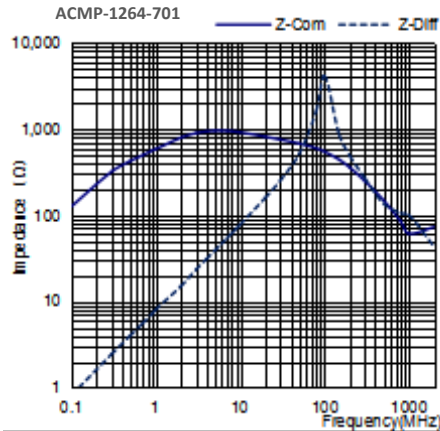
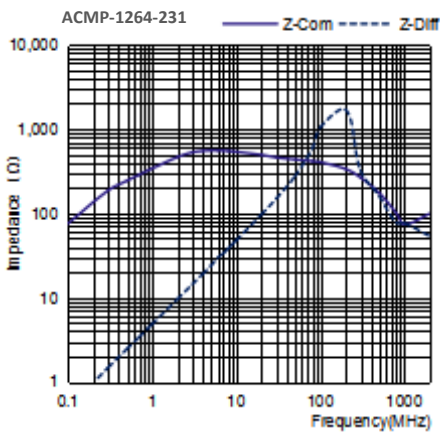


Check Inventory



**10 x 8.7 x 6.5mm**  
**RoHS/RoHS II Compliant**  
**MSL Level = 1**

## Electrical Specifications (Cont'd)



5101 Hidden Creek Ln Spicewood TX 78669  
 Phone: 512-371-6159 | Fax: 512-351-8858  
 For terms and conditions of sales, please visit:  
[www.abracon.com](http://www.abracon.com)

**REVISION: IR 06-29-22**

ABRACON IS  
 ISO9001-2015  
 CERTIFIED

# Signal Common Mode Chokes



**ACMS-1065 Series**

Request Samples

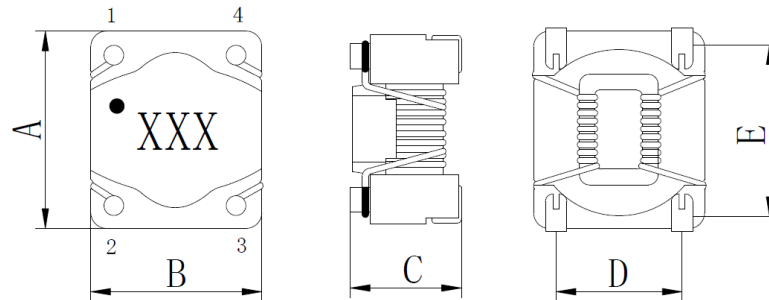


Check Inventory

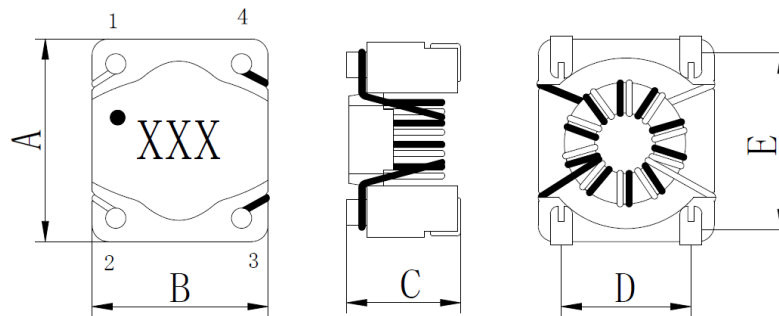


**10 x 8.7 x 6.5mm**  
**RoHS/RoHS II Compliant**  
**MSL Level = 1**

## Mechanical Specifications

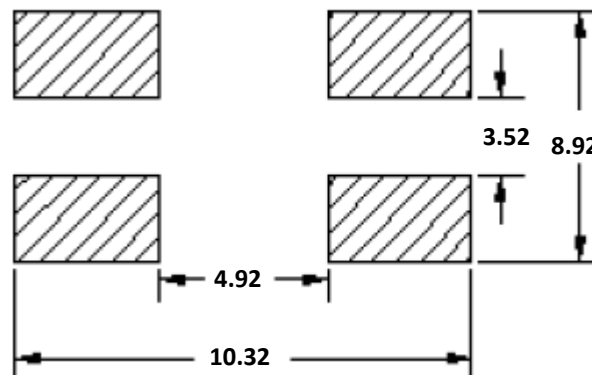


For 121, 221, 251, 471, 102.



For 222, 332, 392, 472.

A	B	C	D	E
10.0 ± 0.3	8.7 ± 0.3	6.5 MAX	6.22 ± 0.2	7.62 ± 0.2



Dimensions: mm

**Recommended Layout**



5101 Hidden Creek Ln Spicewood TX 78669  
 Phone: 512-371-6159 | Fax: 512-351-8858  
 For terms and conditions of sales, please visit:  
[www.abracon.com](http://www.abracon.com)

**REVISION: IR 06-29-22**

ABRACON IS  
 ISO9001-2015  
 CERTIFIED

# Signal Common Mode Chokes



**ACMS-1065 Series**

Request Samples

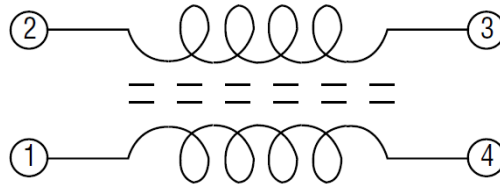


Check Inventory



**10 x 8.7 x 6.5mm**  
**RoHS/RoHS II Compliant**  
**MSL Level = 1**

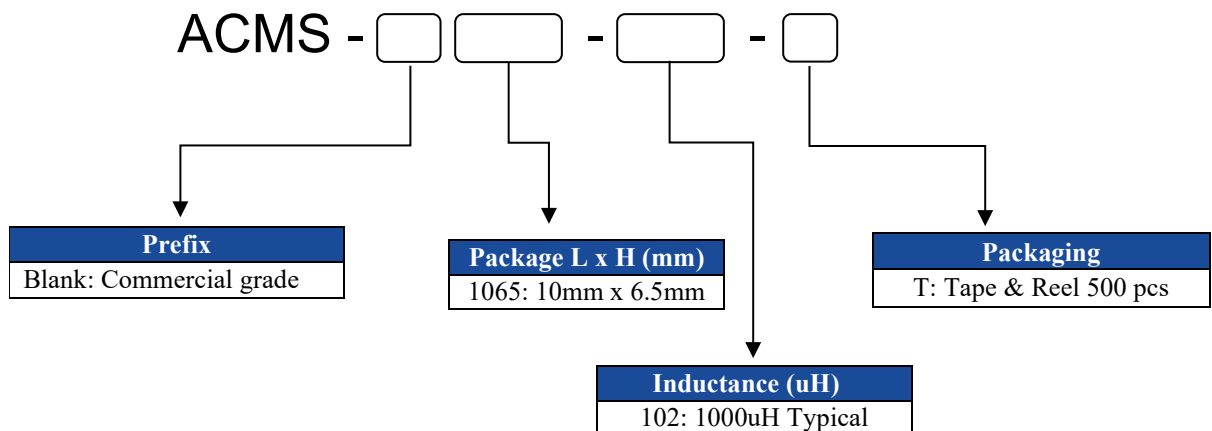
## Schematic



## Materials

Description	Specification
Core	Ferrite core
Wire	Enameled copper wire
Base	Plastic
Adhesive	Epoxy resin
Terminal	Sn/Cu

## Part Identification



# Signal Common Mode Chokes



ACMS-1065 Series

Request Samples

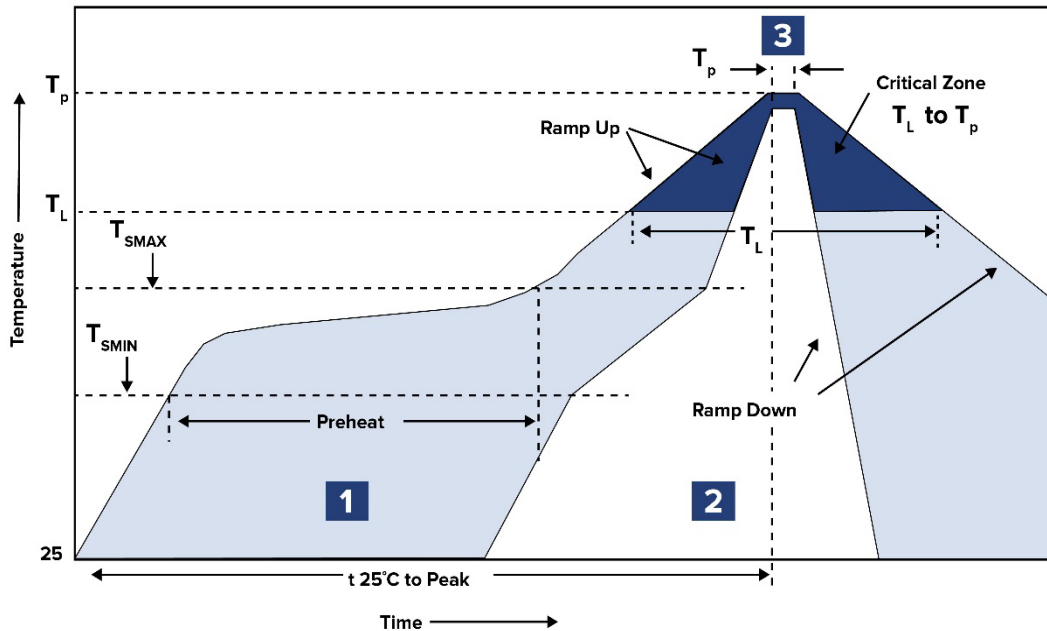


Check Inventory



10 x 8.7 x 6.5mm  
RoHS/RoHS II Compliant  
MSL Level = 1

## Reflow Profile



Zone	Description	Temperature	Times
1	Preheat	$T_{SMIN} \sim T_{SMAX}$ 150°C ~ 190°C	60 ~ 120 sec.
2	Reflow	$T_L$ 240°C	20 ~ 40 sec.
3	Peak heat	$T_p$ 260°C Max.	5 sec. Max

1~2 °C/Sec. Ramp

# Signal Common Mode Chokes



**ACMS-1065 Series**

Request Samples



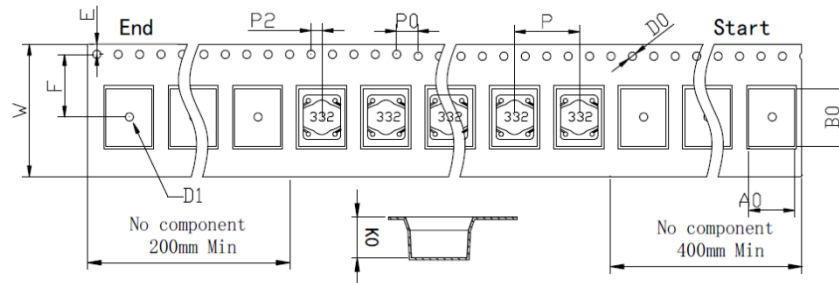
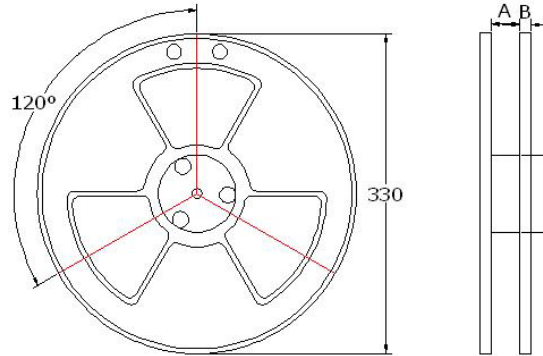
Check Inventory



**10 x 8.7 x 6.5mm**  
**RoHS/RoHS II Compliant**  
**MSL Level = 1**

## Packing

**Tape & Reel: 500pcs/reel**



W	P	P0	P2	D0	E	F	A0	B0	K0
24 ± 0.30	12 ± 0.10	4.0 ± 0.10	2.0 ± 0.10	1.5 ± 0.10	1.75 ± 0.10	11.5 ± 0.10	9.1 ± 0.10	10.5 ± 0.10	6.8 ± 0.10

**ATTENTION:** Abracon LLC's products are COTS – Commercial-Off-The-Shelf products; suitable for Commercial, Industrial and, where designated, Automotive Applications. Abracon's products are not specifically designed for Military, Aviation, Aerospace, Life-dependent Medical applications or any application requiring high reliability where component failure could result in loss of life and/or property. For applications requiring high reliability and/or presenting an extreme operating environment, written consent and authorization from Abracon LLC is required. Please contact Abracon LLC for more information.



5101 Hidden Creek Ln Spicewood TX 78669  
 Phone: 512-371-6159 | Fax: 512-351-8858  
 For terms and conditions of sales, please visit:  
[www.abracon.com](http://www.abracon.com)

**REVISION: IR 06-29-22**

ABRACON IS  
 ISO9001-2015  
 CERTIFIED

## X-ON Electronics

Largest Supplier of Electrical and Electronic Components

*Click to view similar products for [Common Mode Chokes / Filters](#) category:*

*Click to view products by [Abracon](#) manufacturer:*

Other Similar products are found below :

[PE-64683](#) [RD5122-6-9M6](#) [ST6118T-R](#) [FE3X025-10-7NL](#) [T8114NLT](#) [TCM0806G-350-2P-T](#) [TCM0806G-650-2P-T](#) [IND-0110](#)  
[UAL21VR0802000](#) [UALSC023000000](#) [UALSC1020JH000](#) [UALSU10VD20010](#) [UALSU9VD070100](#) [36-00037](#) [CM7060M132R-10](#)  
[UALW21HS072450](#) [UALSU9H0208000](#) [UAL24VK06450CH](#) [PE-67531](#) [TLH10UB](#) [113 OR5](#) [2752045447](#) [CM8663Z161B-10](#) [7351V](#)  
[CMF16-153131](#) [T8116NLT](#) [CMS2-10-R](#) [FE2X10-4-2NL](#) [T8003NLT](#) [CTX01-13663](#) [CTX66-19521-R](#) [RC212-0.5-10M](#) [RC112-0.4-15M](#)  
[RC212-0.6-6M8](#) [RC212-0.4-15M](#) [RC112-0.3-30M](#) [4534-3](#) [WTCF2012Z0M751PB](#) [PH9408.814NLT](#) [B82498B3221J000](#) [PAC6006.364NLT](#)  
[PAC6006.444NLT](#) [PAC6006.204NLT](#) [PH9407.204NLT](#) [PAC6006.264NLT](#) [PH9408.105NLT](#) [PH9408.494NLT](#) [PAC6006.104NLT](#)  
[CM6350R-683-REEL](#) [CUW43T-513T-AU](#) [CUW43T-104T-AU](#)