



# Automotive Signal Common Mode Chokes

ACMS-Q3222F

Request Samples



Check Inventory



3.2 x 2.5 x 2.2mm  
RoHS/RoHS II Compliant  
MSL Level = 1

## Features

- AEC-Q200 compliant, Grade 1
- PPAP ready and supported
- Manufactured in TS/IATF 16949 production lines
- Excellent impedance characteristics

## Applications

- Differential signal line common mode noise suppression.
- Multimedia devices
- Automotive applications such as ADAS, Infotainment, Sensing, TCU
- Automotive CANFD

## Electrical Specifications

Part Number	Inductance ( $\mu$ H) (+50%/-30%)	DCR (m $\Omega$ )	Rated Current (A)	Rated Voltage (Vdc)	Insulation Resistance (M $\Omega$ )
		Max	Max	Max	Min
ACMS-Q3222F-101	100	2500	0.15	50	10

**Rated Current is based on an Irms temperature rise of 20°C**

**Inductance Test Conditions: 0.1MHz/0.1V**

**ACMS-Q3222F is AEC-Q200 Automotive certified**

**ACMS-Q3222F Series is RoHS Compliant and Pb free**

**Operating Temperature: -40°C to +150°C (Including self-heating)**

**Storage Temperature (on PCB): -40°C to +150°C**

**Storage (in original packaging): <40°C, <70% RH**



5101 Hidden Creek Ln, Spicewood TX 78669  
Phone: 512-371-6159 Fax: 512-351-8858  
For terms and conditions of sales, please visit:  
[www.abracon.com](http://www.abracon.com)

**REVISION Initial Release**  
**3/30/2022**

ABRACON IS  
ISO9001-2015  
CERTIFIED



# Automotive Signal Common Mode Chokes

ACMS-Q3222F

Request Samples

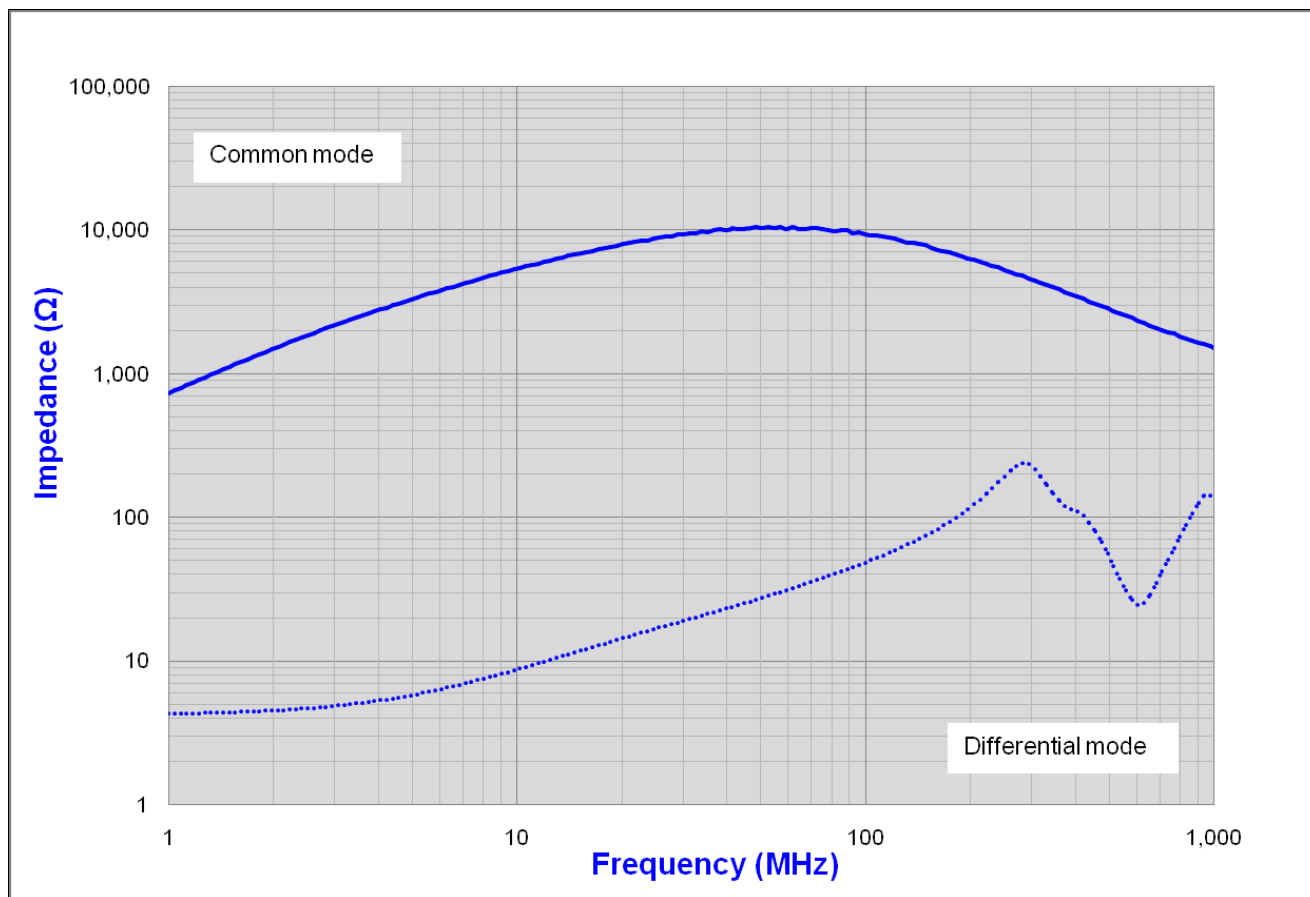


Check Inventory



3.2 x 2.5 x 2.2mm  
RoHS/RoHS II Compliant  
MSL Level = 1

## Electrical Specifications





# Automotive Signal Common Mode Chokes

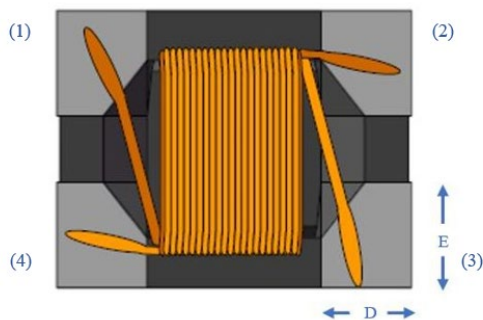
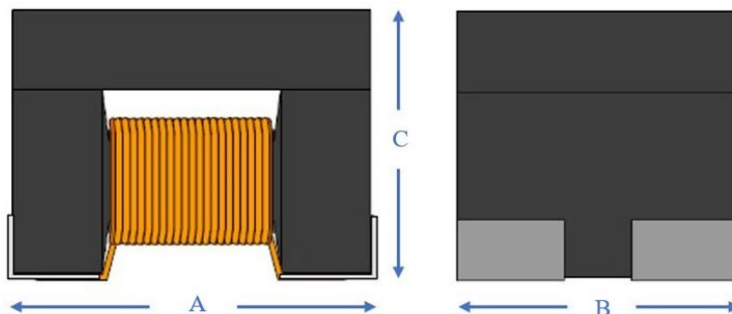
ACMS-Q3222F

Request Samples

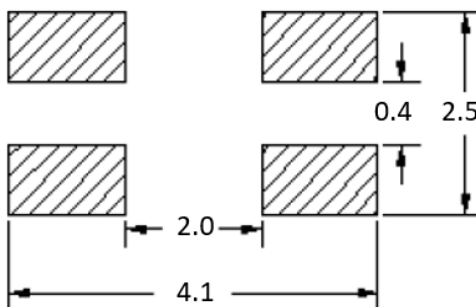
Check Inventory

3.2 x 2.5 x 2.2mm  
**RoHS/RoHS II Compliant**  
 MSL Level = 1

## Mechanical Specifications



A	B	C	D	E
3.2 ±0.2	2.5 ±0.2	2.2 ±0.2	0.7	1.05



## Recommended Layout

Dimensions: mm



5101 Hidden Creek Ln, Spicewood TX 78669  
 Phone: 512-371-6159 Fax: 512-351-8858  
 For terms and conditions of sales, please visit:  
[www.abracon.com](http://www.abracon.com)

**REVISION Initial Release**  
 3/30/2022

ABRACON IS  
 ISO9001-2015  
 CERTIFIED



# Automotive Signal Common Mode Chokes

**ACMS-Q3222F**

Request Samples

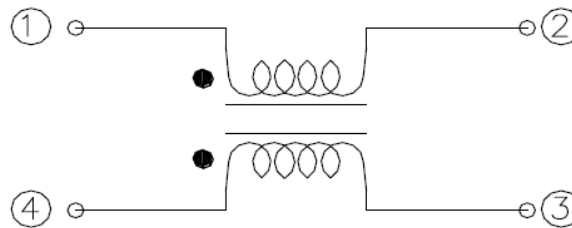


Check Inventory

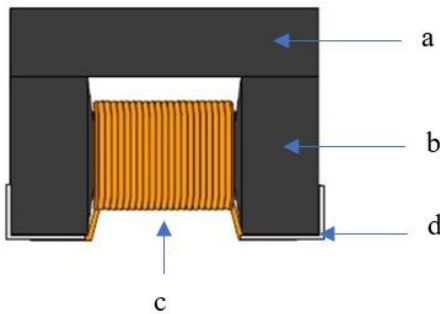


3.2 x 2.5 x 2.2mm  
**RoHS/RoHS II Compliant**  
 MSL Level = 1

## Schematic

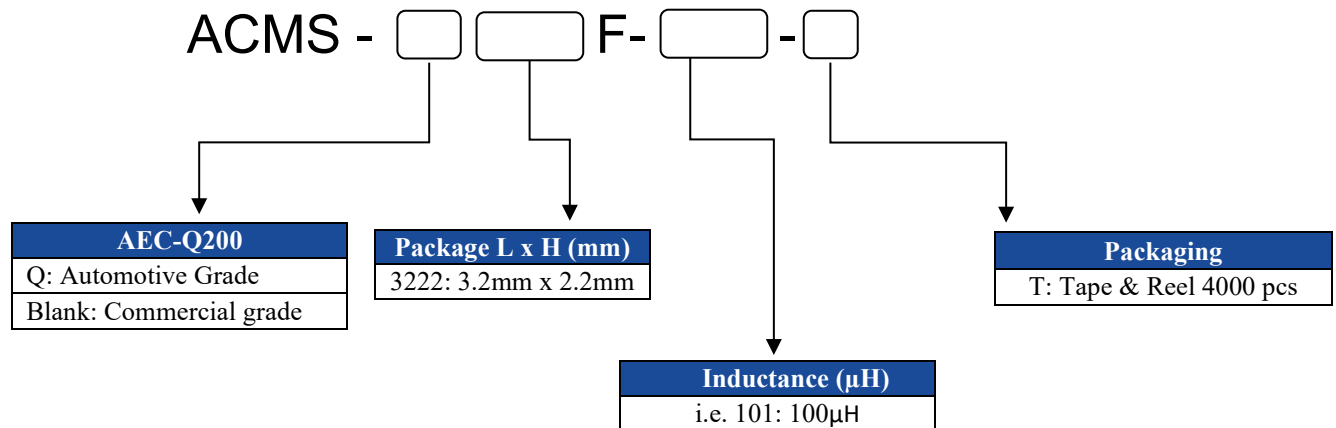


## Materials



	Description	Specification
a	Upper Plate	Ni-Zn Ferrite
b	Core	Ni-Zn Ferrite
c	Wire	Enameled copper wire
d	Electrode	Ag/Ni/Sn

## Part Identification





# Automotive Signal Common Mode Chokes

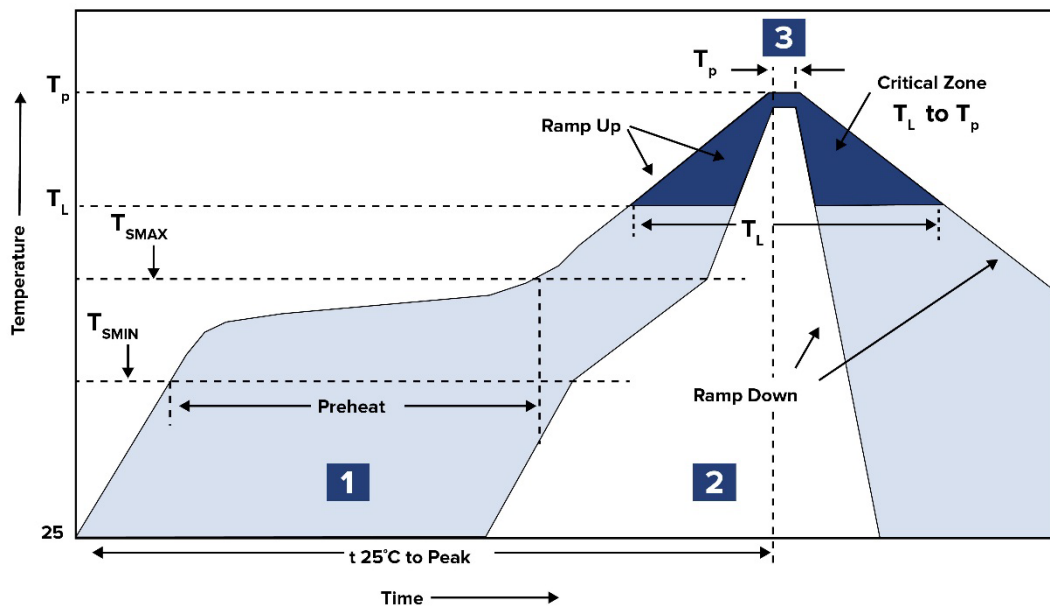
ACMS-Q3222F

Request Samples

Check Inventory

3.2 x 2.5 x 2.2mm  
**RoHS/RoHS II Compliant**  
 MSL Level = 1

## Reflow Profile



Zone	Description	Temperature	Times
1	Preheat	$T_{SMIN} \sim T_{SMAX}$ 150°C ~ 200°C	60 ~ 120 sec.
2	Reflow	$T_L$ 220°C	60 ~ 90 sec.
3	Peak heat	$T_P$ 260°C Max	10 sec. MAX



# Automotive Signal Common Mode Chokes

ACMS-Q3222F

Request Samples



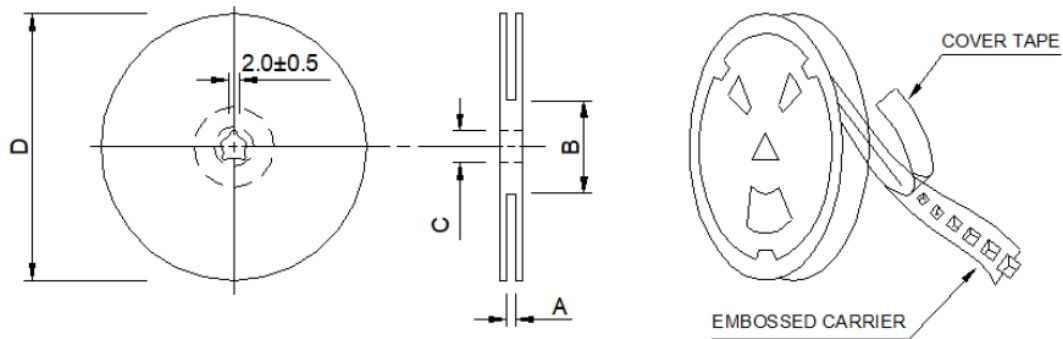
Check Inventory



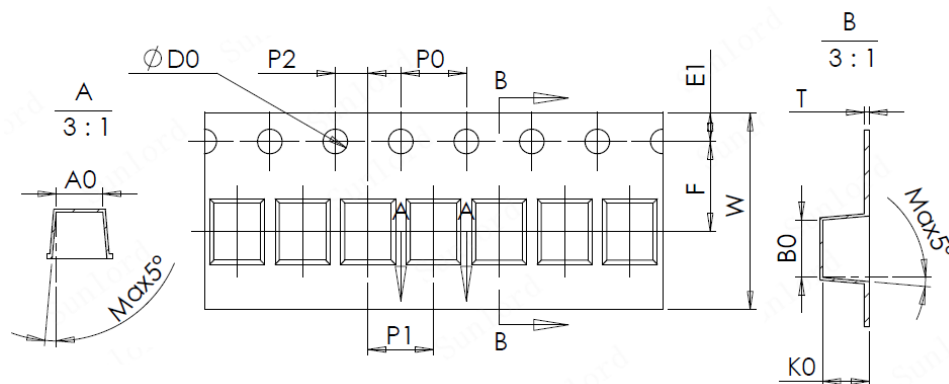
3.2 x 2.5 x 2.2mm  
**RoHS/RoHS II Compliant**  
 MSL Level = 1

## Packaging

Tape & Reel: 4000pcs/reel



Series	A	B	C	D
ACMS-Q3222F	12.4 ± 0.1	100.0 ± 2.0	13.0 ± 0.5	330



W	P1	E	F	P0	P2	Bo	Ao	Ko	D	t
12.0 ±0.20	4.0 ±0.10	1.75 ±0.10	5.5 ±0.10	4.0 ±0.10	2.0 ±0.10	3.5 ±0.10	2.85 ±0.10	2.85 ±0.10	1.5 +0.10/-0	0.3 ±0.05

Dimensions: mm

**ATTENTION:** Abracon LLC's products are COTS – Commercial-Off-The-Shelf products; suitable for Commercial, Industrial and, where designated, Automotive Applications. Abracon's products are not specifically designed for Military, Aviation, Aerospace, Life-dependent Medical applications or any application requiring high reliability where component failure could result in loss of life and/or property. For applications requiring high reliability and/or presenting an extreme operating environment, written consent and authorization from Abracon LLC is required. Please contact Abracon LLC for more information.



5101 Hidden Creek Ln, Spicewood TX 78669  
 Phone: 512-371-6159 Fax: 512-351-8858  
 For terms and conditions of sales, please visit:  
[www.abracon.com](http://www.abracon.com)

**REVISION Initial Release**  
 3/30/2022

ABRACON IS  
 ISO9001-2015  
 CERTIFIED

## X-ON Electronics

Largest Supplier of Electrical and Electronic Components

*Click to view similar products for [Common Mode Chokes / Filters](#) category:*

*Click to view products by [Abracon](#) manufacturer:*

Other Similar products are found below :

[PE-64683](#) [RD5122-6-9M6](#) [ST6118T-R](#) [FE3X025-10-7NL](#) [T8114NLT](#) [TCM0806G-350-2P-T](#) [TCM0806G-650-2P-T](#) [IND-0110](#)  
[UAL21VR0802000](#) [UALSC023000000](#) [UALSC1020JH000](#) [UALSU10VD20010](#) [UALSU9VD070100](#) [36-00037](#) [CM7060M132R-10](#)  
[UALW21HS072450](#) [UALSU9H0208000](#) [UAL24VK06450CH](#) [PE-67531](#) [TLH10UB](#) [113 OR5](#) [2752045447](#) [CM8663Z161B-10](#) [7351V](#)  
[CMF16-153131](#) [T8116NLT](#) [CMS2-10-R](#) [FE2X10-4-2NL](#) [T8003NLT](#) [CTX01-13663](#) [CTX66-19521-R](#) [RC212-0.5-10M](#) [RC112-0.4-15M](#)  
[RC212-0.6-6M8](#) [RC212-0.4-15M](#) [RC112-0.3-30M](#) [4534-3](#) [WTCF2012Z0M751PB](#) [PH9408.814NLT](#) [B82498B3221J000](#) [PAC6006.364NLT](#)  
[PAC6006.444NLT](#) [PAC6006.204NLT](#) [PH9407.204NLT](#) [PAC6006.264NLT](#) [PH9408.105NLT](#) [PH9408.494NLT](#) [PAC6006.104NLT](#)  
[CM6350R-683-REEL](#) [CUW43T-513T-AU](#) [CUW43T-104T-AU](#)