



Automotive Signal Common Mode Chokes

ACMS-Q4528

Request Samples



Check Inventory



4.5 x 3.2 x 2.8 mm
RoHS/RoHS II Compliant
MSL Level = 1

Features

- AEC-Q200 compliant
- PPAP ready and supported
- Manufactured in TS/IATF 16949 production lines
- Excellent impedance characteristics
- Inductance values from 11 μ H to 100 μ H

Applications

- Differential signal line common mode noise suppression.
- Multimedia devices
- Automotive applications such as ADAS, Infotainment, Sensing, TCU

Electrical Specifications

Part Number	Impedance (Ω) @10MHz		Inductance (μ H) (+50/-30%)	DCR (m Ω)	Rated Current (A)	Rated Voltage (Vdc)	Insulation Resistance (M Ω)
	Min	Typ.		Max	Max	Max	Min
ACMS-Q4528-110	300	600	11	600	0.36	50	10
ACMS-Q4528-220	500	1200	22	1000	0.31	50	10
ACMS-Q4528-510	1000	2800	51	1000	0.23	50	10
ACMS-Q4528-101	2000	5800	100	2000	0.20	50	10

Rated Current is based on an Irms temperature rise of 40°C

Inductance Test Conditions: 0.1V, 100KHz

ACMS-Q4528 is AEC-Q200 Automotive certified

ACMS-Q4528 Series is RoHS Compliant and Pb free

Operating Temperature: -55°C to +150°C (Including self-heating)

Storage Temperature (on PCB): -55°C to +150°C

Storage (in original packaging): <40°C, <60% RH



5101 Hidden Creek Ln, Spicewood TX 78669
Phone: 512-371-6159 Fax: 512-351-8858
For terms and conditions of sales, please visit:
www.abracon.com

REVISION Initial Release
3/31/2022

ABRACON IS
ISO9001-2015
CERTIFIED



Automotive Signal Common Mode Chokes

ACMS-Q4528

Request Samples



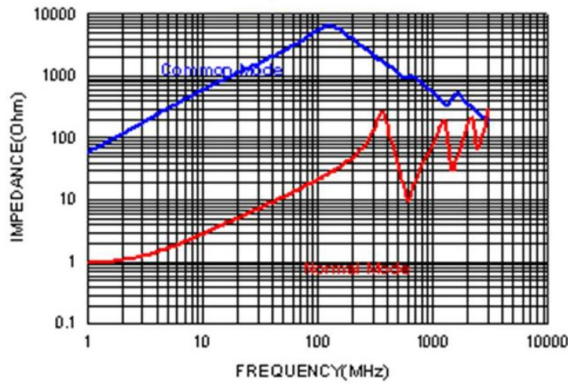
Check Inventory



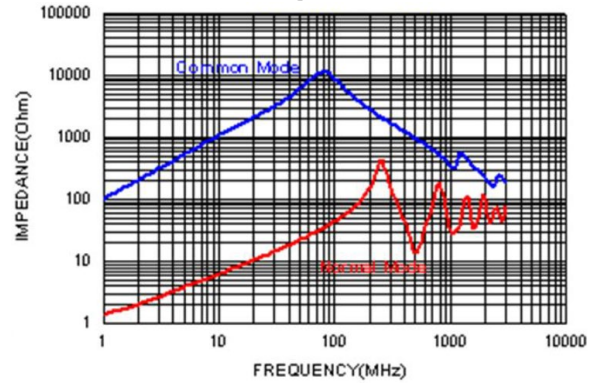
4.5 x 3.2 x 2.8 mm
RoHS/RoHS II Compliant
MSL Level = 1

Electrical Specifications

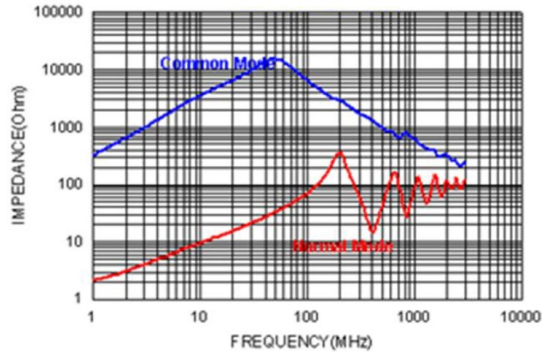
ACMS-Q4528-601



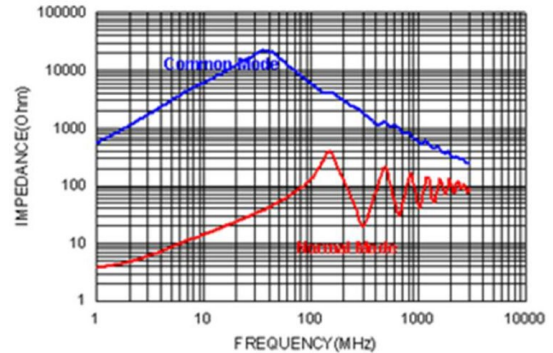
ACMS-Q4528-122



ACMS-Q4528-282



ACMS-Q4528-582





Automotive Signal Common Mode Chokes

ACMS-Q4528

Request Samples

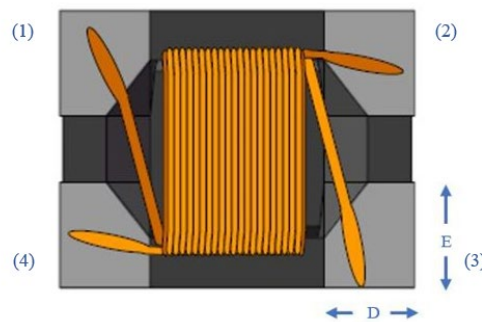
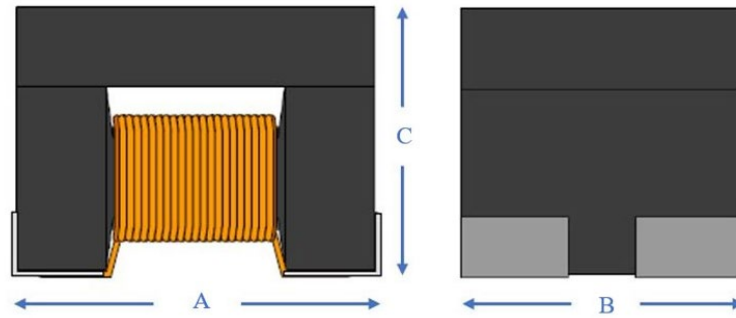


Check Inventory

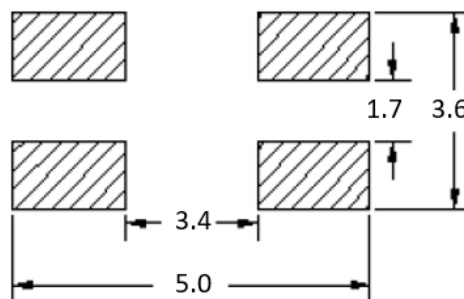


4.5 x 3.2 x 2.8 mm
RoHS/RoHS II Compliant
 MSL Level = 1

Mechanical Specifications



A	B	C	D	E
4.5 ±0.2	3.2 ±0.2	2.8 ±0.2	0.75 ±0.2	0.85 ±0.2



Recommended Layout

Dimensions: mm



5101 Hidden Creek Ln, Spicewood TX 78669
 Phone: 512-371-6159 Fax: 512-351-8858
 For terms and conditions of sales, please visit:
www.abracon.com

REVISION Initial Release
 3/31/2022

ABRACON IS
 ISO9001-2015
 CERTIFIED



Automotive Signal Common Mode Chokes

ACMS-Q4528

Request Samples

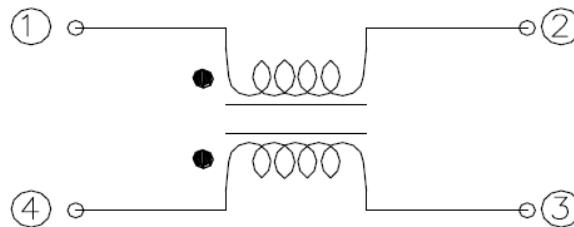


Check Inventory

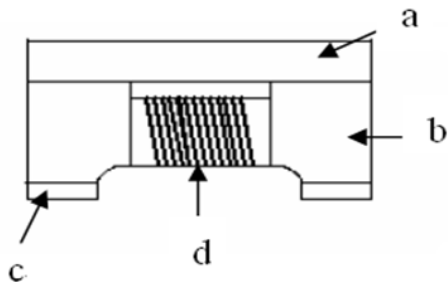


4.5 x 3.2 x 2.8 mm
RoHS/RoHS II Compliant
 MSL Level = 1

Schematic

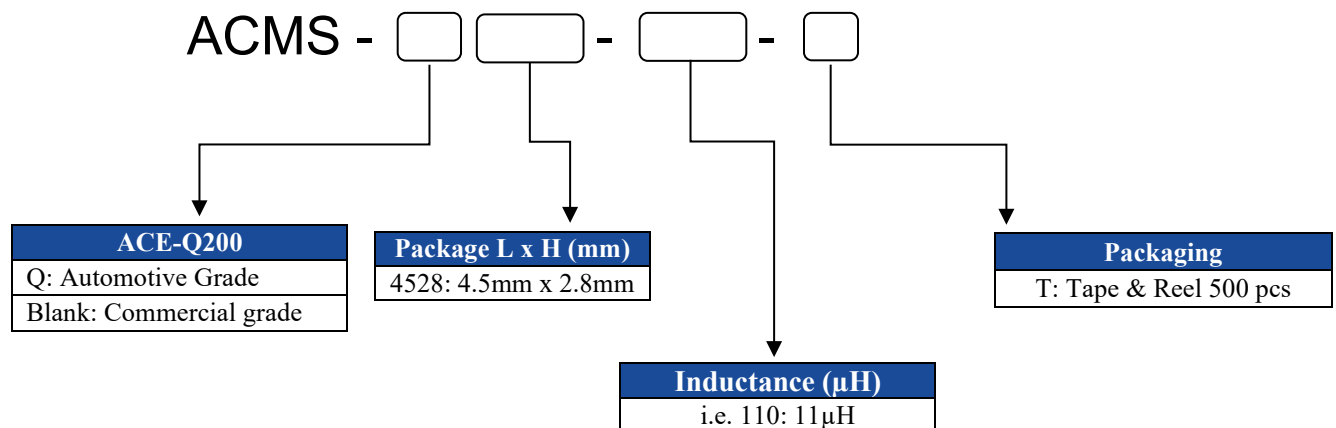


Materials



	Description	Specification
a	Upper Plate	Ferrite
b	Core	Ferrite Core
c	Electrode	Ag/Ni/Sn
d	Wire	Enameled Copper Wire

Part Identification





Automotive Signal Common Mode Chokes

ACMS-Q4528

Request Samples

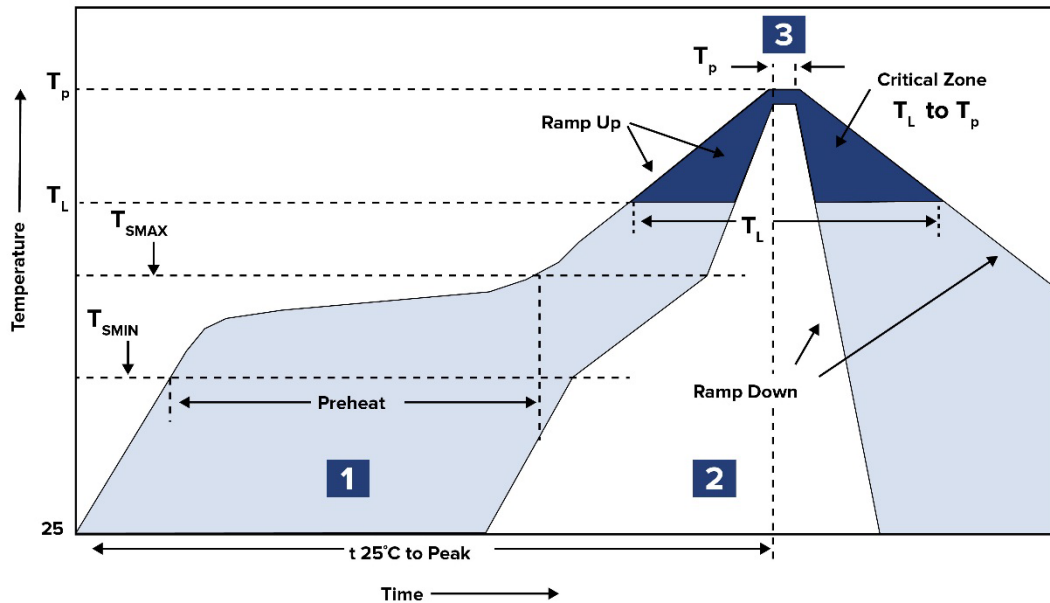


Check Inventory



4.5 x 3.2 x 2.8 mm
 RoHS/RoHS II Compliant
 MSL Level = 1

Reflow Profile



Zone	Description	Temperature	Times
1	Preheat	$T_{SMIN} \sim T_{SMAX}$ 150°C ~ 200°C	60 ~ 180 sec.
2	Reflow	T_L 217°C	60 ~ 150 sec.
3	Peak heat	T_p 250°C ±5°C	30 sec. MAX



Automotive Signal Common Mode Chokes

ACMS-Q4528

Request Samples



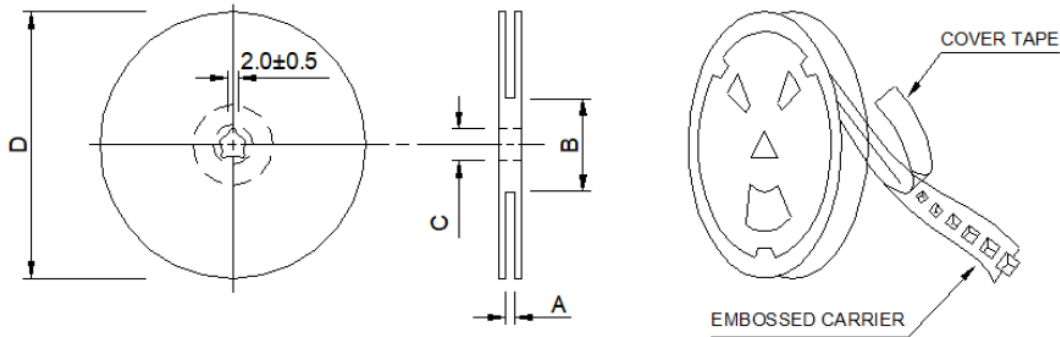
Check Inventory



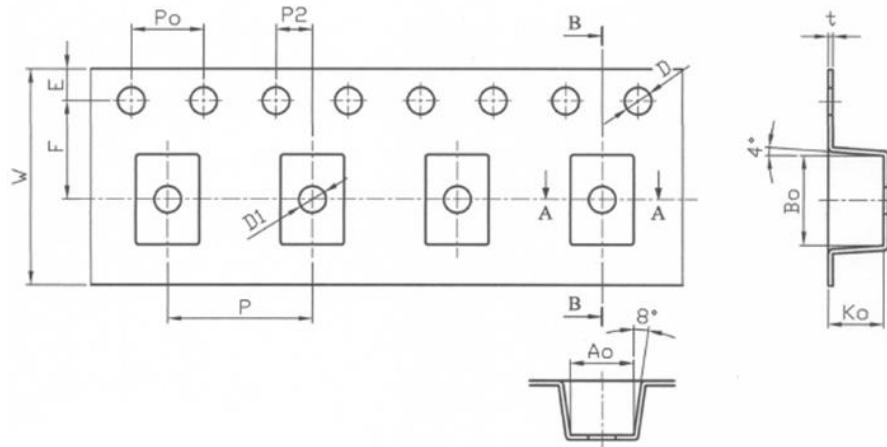
4.5 x 3.2 x 2.8 mm
RoHS/RoHS II Compliant
 MSL Level = 1

Packaging

Tape & Reel: 500pcs/reel



Series	A	B	C	D
ACMS-Q4528	13.5 ± 0.5	60.0 ± 2.0	13.5 ± 0.5	178 ± 2.0



W	P	E	F	P0	P2	B0	A0	K0	D	D1	t
12.0 ± 0.10	8.0 ± 0.10	1.75 ± 0.10	5.5 ± 0.10	4.0 ± 0.10	2.0 ± 0.10	4.9 ± 0.10	3.6 ± 0.10	3.0 ± 0.10	1.5 +0.10/-0	1.5 ± 0.10	0.26 ± 0.05

Dimensions: mm

ATTENTION: Abracon LLC's products are COTS – Commercial-Off-The-Shelf products; suitable for Commercial, Industrial and, where designated, Automotive Applications. Abracon's products are not specifically designed for Military, Aviation, Aerospace, Life-dependent Medical applications or any application requiring high reliability where component failure could result in loss of life and/or property. For applications requiring high reliability and/or presenting an extreme operating environment, written consent and authorization from Abracon LLC is required. Please contact Abracon LLC for more information.



5101 Hidden Creek Ln, Spicewood TX 78669
 Phone: 512-371-6159 Fax: 512-351-8858
 For terms and conditions of sales, please visit:
www.abracon.com

REVISION Initial Release
 3/31/2022

ABRACON IS
 ISO9001-2015
 CERTIFIED

X-ON Electronics

Largest Supplier of Electrical and Electronic Components

Click to view similar products for [Common Mode Chokes / Filters](#) category:

Click to view products by [Abracon](#) manufacturer:

Other Similar products are found below :

[PE-64683](#) [RD5122-6-9M6](#) [ST6118T-R](#) [FE3X025-10-7NL](#) [T8114NLT](#) [TCM0806G-350-2P-T](#) [TCM0806G-650-2P-T](#) [IND-0110](#)
[UAL21VR0802000](#) [UALSC023000000](#) [UALSC1020JH000](#) [UALSU10VD20010](#) [UALSU9VD070100](#) [36-00037](#) [CM7060M132R-10](#)
[UALW21HS072450](#) [UALSU9H0208000](#) [UAL24VK06450CH](#) [PE-67531](#) [TLH10UB](#) [113 OR5](#) [2752045447](#) [CM8663Z161B-10](#) [7351V](#)
[CMF16-153131](#) [T8116NLT](#) [CMS2-10-R](#) [FE2X10-4-2NL](#) [T8003NLT](#) [CTX01-13663](#) [CTX66-19521-R](#) [RC212-0.5-10M](#) [RC112-0.4-15M](#)
[RC212-0.6-6M8](#) [RC212-0.4-15M](#) [RC112-0.3-30M](#) [4534-3](#) [WTCF2012Z0M751PB](#) [PH9408.814NLT](#) [B82498B3221J000](#) [PAC6006.364NLT](#)
[PAC6006.444NLT](#) [PAC6006.204NLT](#) [PH9407.204NLT](#) [PAC6006.264NLT](#) [PH9408.105NLT](#) [PH9408.494NLT](#) [PAC6006.104NLT](#)
[CM6350R-683-REEL](#) [CUW43T-513T-AU](#) [CUW43T-104T-AU](#)