

5.5V Coin Supercapacitor, Horizontal



ADCH-S05R5S

Request Samples



Check Inventory



Various Sizes

RoHS/RoHS II Compliant

MSL Level = 1

Features

- Coin Type Supercapacitor
- Horizontal Configuration
- High power density
- Minimal discharge rate, 72 hours @ discharge < 20%
- Excellent cycle life
- Green, meet RoHS requirements.

Applications

- Power Assist Circuits
- Power Backup
- Micro Energy Storage
- IoT Energy Harvesting
- SSD applications
- DDR power back up
- RTC System power transfer to battery backup

Electrical Specifications

Part Number	Nominal Voltage (U _R)	Capacitance	Tol.	ESR (Max)	Nominal Current	Peak Current (Max)	Leakage Current (Max)	Stored Energy (Max)	Gravimetric Energy Density	Volumetric Energy Density
ADCH-S05R5S	DC(V)	Farads	±%	Ω	A	A	uA	mWh	Wh/kg	Wh/L
ADCH-S05R5SA473W	5.5V	0.047	-20%/ 100%	120	0.010	0.014	3	0.197	0.146	0.380
ADCH-S05R5SA104X	5.5V	0.1	-20%/ 150%	50	0.022	0.032	3	0.420	0.311	0.809
ADCH-S05R5SA224W	5.5V	0.22	-20%/ 100%	40	0.033	0.043	4	0.924	0.685	1.780
ADCH-S05R5SB224W	5.5V	0.22	-20%/ 100%	40	0.033	0.043	4	0.924	0.685	1.780
ADCH-S05R5SA334Z	5.5V	0.33	-20%/ 80%	40	0.037	0.044	5	1.386	1.027	2.670
ADCH-S05R5SA474Q	5.5V	0.47	-10%/ 30%	40	0.039	0.044	6	1.975	1.463	3.802
ADCH-S05R5SA105R	5.5V	1	0/+30%	15	0.100	0.117	8	4.201	0.977	2.886
ADCH-S05R5SA155R	5.5V	1.5	0/+30%	10	0.150	0.176	12	6.302	1.466	4.329

Operating Temperature: -25°C to +70°C

Storage Temperature: -30°C to +50°C, RH < 60%, Max. Humidity < 85% RH

Test Conditions:

All parameters are measured according to the IEC 62391-1 standard.

Ambient Temperature: +25°C

Capacitance: measured with $I(mA) = 4(C * U_R)$.

ESR: Measured at 1KHz.

Nominal Current: 5 Seconds to discharge from U_R to 1/2U_R.

Peak Current (Max.): 1 second to discharge to U_R to 1/2U_R.

Leakage Current: Measured after 72h at U_R.

Life Cycles: 500,000 cycles with less than 30% change in capacitance.



5101 Hidden Creek Ln, Spicewood TX 78669
Phone: 512-371-6159 Fax: 512-351-8858
For terms and conditions of sales, please visit:
www.abracon.com

REVISION A : 4/26/2024

ABRACON IS
ISO9001-2015
CERTIFIED

5.5V Coin Supercapacitor, Horizontal



ADCH-S05R5S

Request Samples



Check Inventory



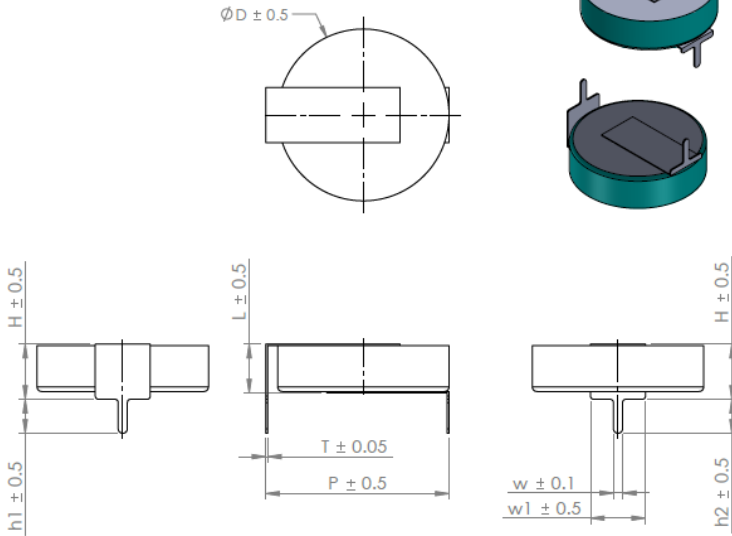
Various Sizes

RoHS/RoHS II Compliant

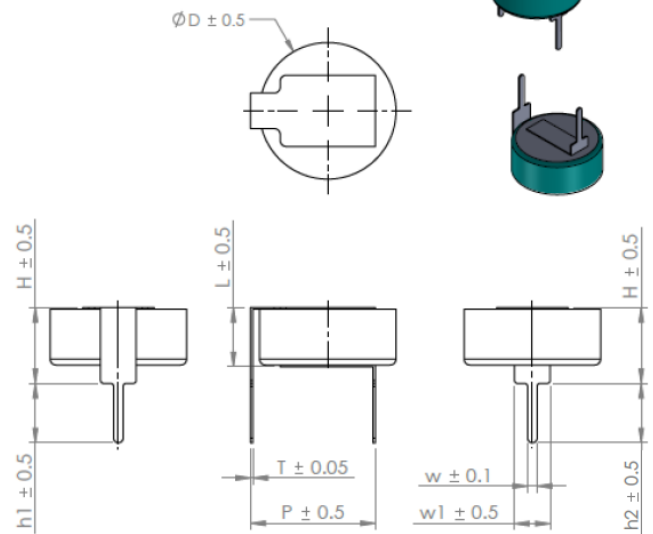
MSL Level = 1

Mechanical Specifications

PIN TYPE A



PIN TYPE B



ABRACON PART#	PIN TYPE	SIZE D x L x H	PIN SPACING P	PIN WIDTH w/w1	PIN LENGTH h1/h2	LEAD THICKNESS T
ADCH-S05R5SA473W	B	11.5 x 5.0 x 6.4	10.5	0.8/3.0	5.0/5.0	0.2
ADCH-S05R5SA104X	B	11.5 x 5.0 x 6.4	10.5	0.8/3.0	5.0/5.0	0.2
ADCH-S05R5SA224W	B	11.5 x 5.0 x 6.4	10.5	0.8/3.0	5.0/5.0	0.2
ADCH-S05R5SB224W	B	11.5 x 5.0 x 6.4	10.5	0.8/3.0	2.6/2.6	0.2
ADCH-S05R5SA334Z	B	11.5 x 5.0 x 6.4	10.5	0.8/3.0	5.0/5.0	0.2
ADCH-S05R5SA474Q	B	11.5 x 5.0 x 6.4	10.5	0.8/3.0	5.0/5.0	0.2
ADCH-S05R5SA105R	A	18.7 x 5.3 x 6.0	20	1/6.0	3.7/3.7	0.2
ADCH-S05R5SA155R	A	18.7 x 5.3 x 6.0	20	1/6.0	3.7/3.7	0.2

Dimensions: mm



5101 Hidden Creek Ln, Spicewood TX 78669
 Phone: 512-371-6159 Fax: 512-351-8858
 For terms and conditions of sales, please visit:
www.abracon.com

REVISION A : 4/26/2024

ABRACON IS
 ISO9001-2015
 CERTIFIED

5.5V Coin Supercapacitor, Horizontal



ADCH-S05R5S

Request Samples



Check Inventory

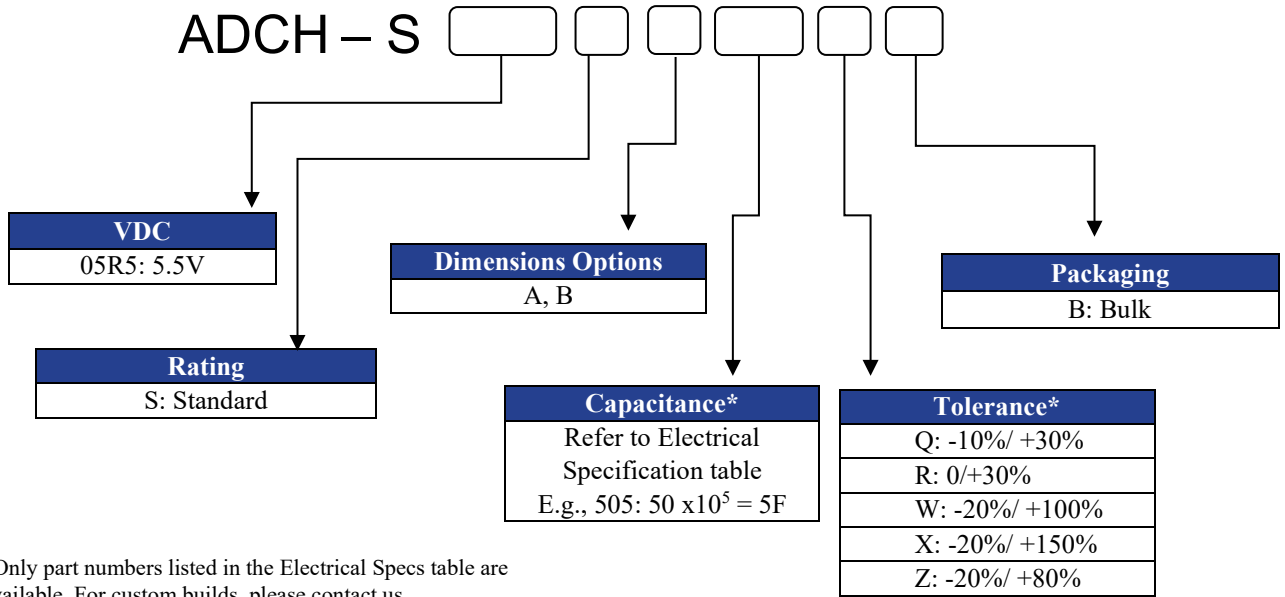


Various Sizes

RoHS/RoHS II Compliant

MSL Level = 1

Part Number Identification



Part Marking



Example of the Markings of a 5.5V 0.1F capacitor

Capacitance (F)

Rated Voltage (V)

Polarity: Set of triangles on the sleeve to indicate the cathode. (The bar might look slightly different for 1.0F and 1.5F parts)



5101 Hidden Creek Ln, Spicewood TX 78669
 Phone: 512-371-6159 Fax: 512-351-8858
 For terms and conditions of sales, please visit:
www.abracon.com

REVISION A : 4/26/2024

ABRACON IS
 ISO9001-2015
 CERTIFIED

5.5V Coin Supercapacitor, Horizontal



ADCH-S05R5S

Request Samples



Check Inventory

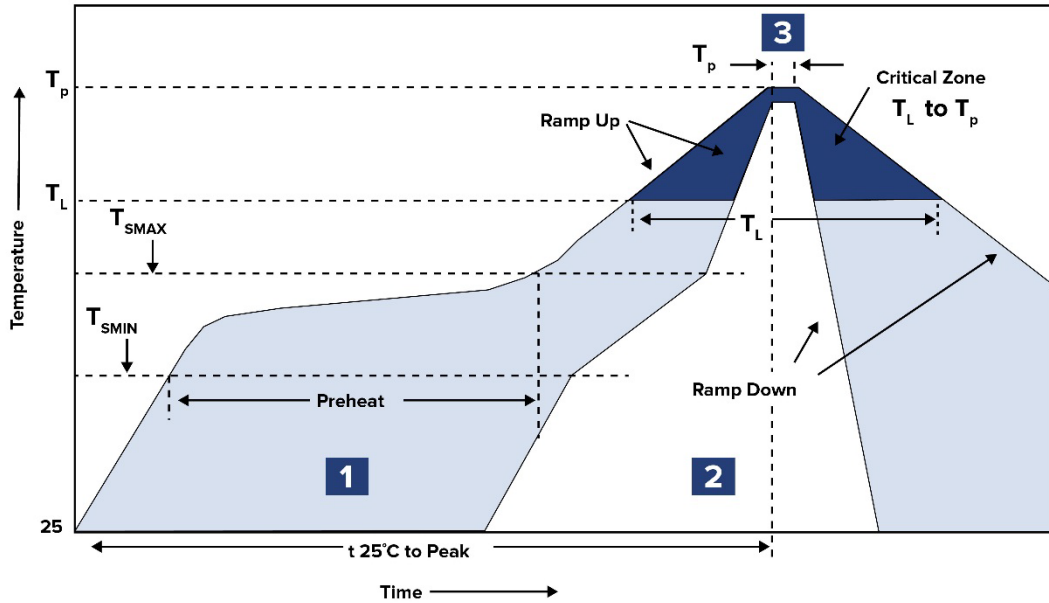


Various Sizes

RoHS/RoHS II Compliant

MSL Level = 1

Reflow Profile



Zone	Description	Temperature	Times
1	Preheat	$T_{SMIN} \sim T_{SMAX}$ 100°C ~ 150°C	60 ~ 120 sec.
2	Reflow	T_L 200°C	30 ~ 40 sec.
3	Peak heat	T_p 240°C±5°C	5 sec. MAX

5.5V Coin Supercapacitor, Horizontal



ADCH-S05R5S

Request Samples



Check Inventory



Various Sizes

RoHS/RoHS II Compliant

MSL Level = 1

Packaging

Part Number	Quantity (PCS/Box)
ADCH-S05R5SA473WB	1300
ADCH-S05R5SA104XB	1300
ADCH-S05R5SA224WB	1300
ADCH-S05R5SB224WB	1300
ADCH-S05R5SA334ZB	1300
ADCH-S05R5SA474QB	1300
ADCH-S05R5SA105RB	672
ADCH-S05R5SA155RB	672

ATTENTION: Abracon LLC's products are Commercial-Off-The-Shelf (COTS, which are designed, intended and validated for use in commercial, industrial and automotive applications. The customer is responsible for testing and verifying the performance of an Abracon solution to meet their system-level requirements.



5101 Hidden Creek Ln, Spicewood TX 78669
Phone: 512-371-6159 Fax: 512-351-8858
For terms and conditions of sales, please visit:
www.abracon.com

REVISION A : 4/26/2024

ABRACON IS
ISO9001-2015
CERTIFIED

X-ON Electronics

Largest Supplier of Electrical and Electronic Components

Click to view similar products for [Supercapacitors](#) / [Ultracapacitors](#) category:

Click to view products by [Abracon](#) manufacturer:

Other Similar products are found below :

[BZ12GA154ZHB](#) [BZ195B273ZNBDM](#) [C-TEC1225 P](#) [SCCY73B407SLBLE](#) [CPM3225A-2K](#) [iMOD054V062P3L-11A](#) [SCCS30B126SRB](#)
[SC5V5Z255M](#) [TV1020-3R0605-AP](#) [SC5V5C224Z](#) [SC6V0Z505MV](#) [SC5V5Z255MH](#) [SC3V0L156MV](#) [SC5V5H474Z](#) [SC2V7L156M](#)
[SC5V5V224Z](#) [SC5V5H334Z](#) [SC6V0Z105MV](#) [SC2V7L206M](#) [SC2V7L105MLR](#) [SC5V5Z505M](#) [SC5V5Z106MH](#) [SC5V5H105Z](#)
[SC2V7L705MLR](#) [SC5V5H104Z](#) [SC5V5C474Z](#) [SC3V0L256MV](#) [SC5V5Z105Z](#) [SC5V5C334Z](#) [SC5V5V474Z](#) [SC5V5V334Z](#)
[SC5V5Z505MH](#) [SC5V5V104Z](#) [SC5V5V155Z](#) [SC5V5H155Z](#) [SC5V5C155Z](#) [SC5V5H224Z](#) [FMU0H334ZFTP18](#) [ADCR-S03R0SA505MB](#)
[ADCR-S03R0SA335MB](#) [ADCR-S03R0SA156MB](#) [ADCR-S03R0SA256MB](#) [ADCR-S03R0SA106MB](#) [ADCR-S03R0SA305MB](#) [ADCR-](#)
[S03R0SB505MB](#) [DB5U207M30045HA](#) [DH5U128W60074TH](#) [DRE10/2.5](#) [106DCN2R7M](#) [SCCR20B335SRB](#)