

# 5.5V Coin Supercapacitor, Vertical



ADCV-S05R5S

Request Samples



Check Inventory



Various Sizes

RoHS/RoHS II Compliant

MSL Level = 1

## Features

- Coin Type Supercapacitor
- Vertical Configuration
- High power density
- Minimal discharge rate, 72 hours @ discharge < 20%
- Excellent cycle life
- Green, meet RoHS requirements

## Applications

- Power Assist Circuits
- Power Backup
- Micro Energy Storage
- IoT Energy Harvesting
- SSD applications
- DDR power back up
- RTC System power transfer to battery backup

## Electrical Specifications

Part Number	Nominal Voltage (U <sub>R</sub> )	Capacitance	Tol.	ESR (Max)	Nominal Current	Peak Current (Max)	Leakage Current (Max)	Stored Energy (Max)	Gravimetric Energy Density	Volumetric Energy Density
ADCV-S05R5S	DC(V)	Farads	±%	Ω	A	A	uA	mWh	Wh/kg	Wh/L
ADCV-S05R5SA473W	5.5V	0.047	-20%/ 100%	120	0.010	0.014	3	0.197	0.156	0.380
ADCV-S05R5SA104X	5.5V	0.1	-20%/ 150%	50	0.022	0.032	3	0.420	0.303	0.809
ADCV-S05R5SA224W	5.5V	0.22	-20%/ 100%	40	0.033	0.043	4	0.924	0.707	1.780
ADCV-S05R5SA334Z	5.5V	0.33	-20%/ 80%	40	0.037	0.044	5	1.386	0.998	2.670
ADCV-S05R5SA474Q	5.5V	0.47	-10%/ 30%	40	0.039	0.044	6	1.975	1.412	3.802
ADCV-S05R5SA105R	5.5V	1	0/+30%	15	0.100	0.117	8	4.201	1.004	2.833
ADCV-S05R5SA155R	5.5V	1.5	0/+30%	10	0.150	0.176	12	6.302	1.488	4.249

**Operating Temperature:** -25°C to +70°C

**Storage Temperature:** -30°C to +50°C, RH<60%, Max. Humidity <85% RH

### Test Conditions:

All parameters are measured according to the IEC 62391-1 standard.

**Ambient Temperature:** +25°C

**Capacitance:** measured with  $I(mA) = 4(C * U_R)$ .

**ESR:** Measured at 1KHz.

**Nominal Current:** 5 Seconds to discharge from U<sub>R</sub> to 1/2U<sub>R</sub>.

**Peak Current (Max.):** 1 second to discharge to U<sub>R</sub> to 1/2U<sub>R</sub>.

**Leakage Current:** Measured after 72h at U<sub>R</sub>.

**Life Cycles:** 500,000 cycles with less than 30% change in capacitance.



5101 Hidden Creek Ln, Spicewood TX 78669  
 Phone: 512-371-6159 Fax: 512-351-8858  
 For terms and conditions of sales, please visit:  
[www.abracon.com](http://www.abracon.com)

**REVISION Initial Release :**  
**8/18/2023**

ABRACON IS  
 ISO9001-2015  
 CERTIFIED

# 5.5V Coin Supercapacitor, Vertical



**ADCV-S05R5S**

Request Samples



Check Inventory

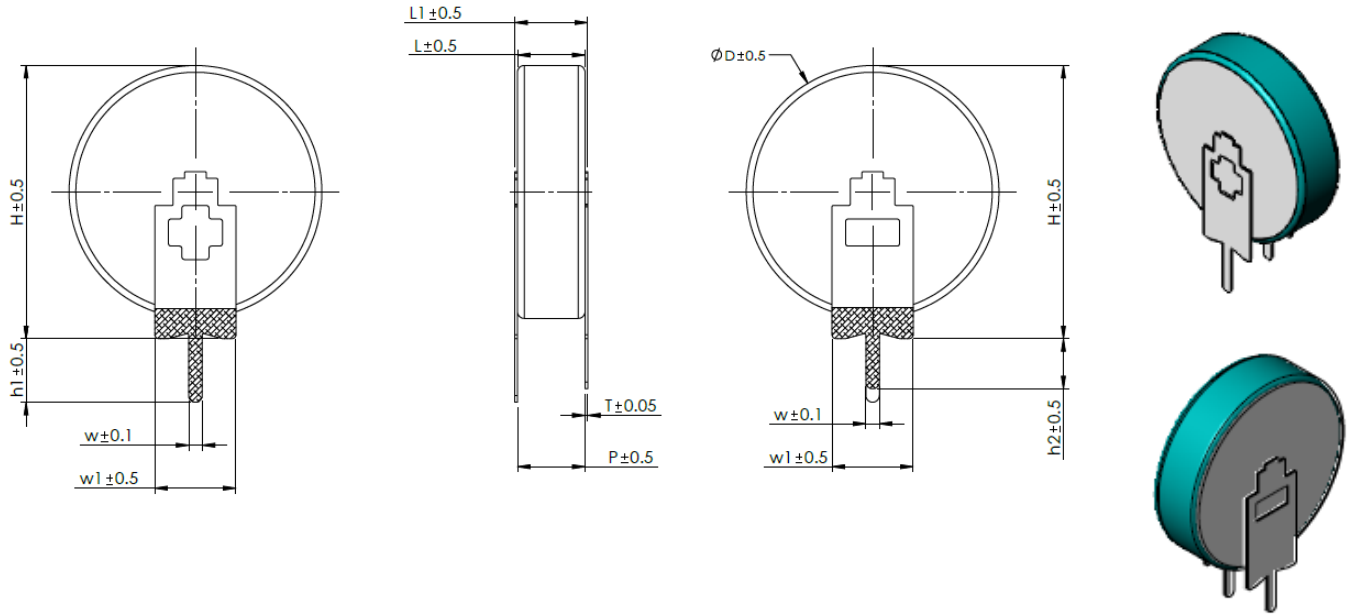


Various Sizes

RoHS/RoHS II Compliant

MSL Level = 1

## Mechanical Specifications



ABRACON PART#	SIZE D x L x H	TOTAL THICKNESS L1	PIN SPACING P	PIN WIDTH w/w1	PIN LENGTH h1/h2	LEAD THICKNESS T
ADCV-S05R5SA473W	11.5 x 4.6 x 12.3	5.0	4.7	1/3.0	4.7/3.7	0.2
ADCV-S05R5SA104X	11.5 x 4.6 x 12.3	5.0	4.7	1/3.0	4.7/3.7	0.2
ADCV-S05R5SA224W	11.5 x 4.6 x 12.3	5.0	4.7	1/3.0	4.7/3.7	0.2
ADCV-S05R5SA334Z	11.5 x 4.6 x 12.3	5.0	4.7	1/3.0	4.7/3.7	0.2
ADCV-S05R5SA474Q	11.5 x 4.6 x 12.3	5.0	4.7	1/3.0	4.7/3.7	0.2
ADCV-S05R5SA105R	18.7 x 5.0 x 20.2	5.4	5.0	1/6.0	4.7/3.7	0.2
ADCV-S05R5SA155R	18.7 x 5.0 x 20.2	5.4	5.0	1/6.0	4.7/3.7	0.2

Dimensions: mm



5101 Hidden Creek Ln, Spicewood TX 78669  
 Phone: 512-371-6159 Fax: 512-351-8858  
 For terms and conditions of sales, please visit:  
[www.abracon.com](http://www.abracon.com)

REVISION Initial Release :  
 8/18/2023

ABRACON IS  
 ISO9001-2015  
 CERTIFIED

# 5.5V Coin Supercapacitor, Vertical



ADCV-S05R5S

Request Samples



Check Inventory

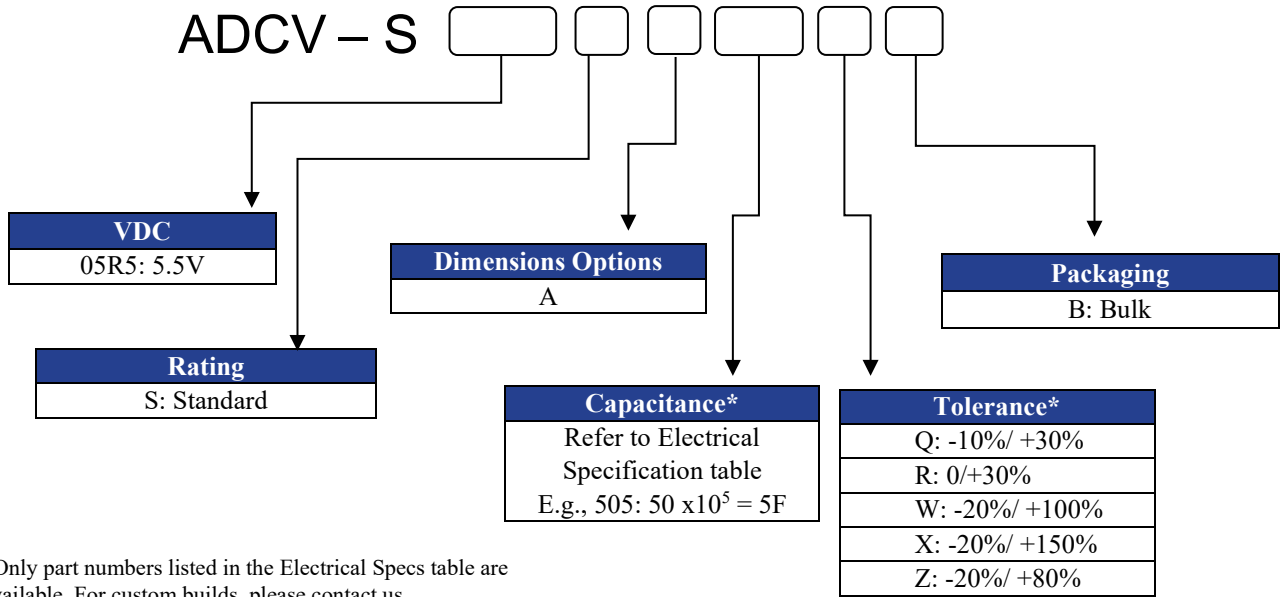


Various Sizes

RoHS/RoHS II Compliant

MSL Level = 1

## Part Number Identification



## Part Marking



Example of the Markings of a 5.5V 0.1F supercapacitor

Capacitance (F)

Rated Voltage (V)

Polarity (negative bar on the sleeve to indicate the cathode). (The bar might look slightly different for 1.0F and 1.5F parts)



5101 Hidden Creek Ln, Spicewood TX 78669  
 Phone: 512-371-6159 Fax: 512-351-8858  
 For terms and conditions of sales, please visit:  
[www.abracon.com](http://www.abracon.com)

REVISION Initial Release :  
 8/18/2023

ABRACON IS  
 ISO9001-2015  
 CERTIFIED

# 5.5V Coin Supercapacitor, Vertical



ADCV-S05R5S

Request Samples



Check Inventory

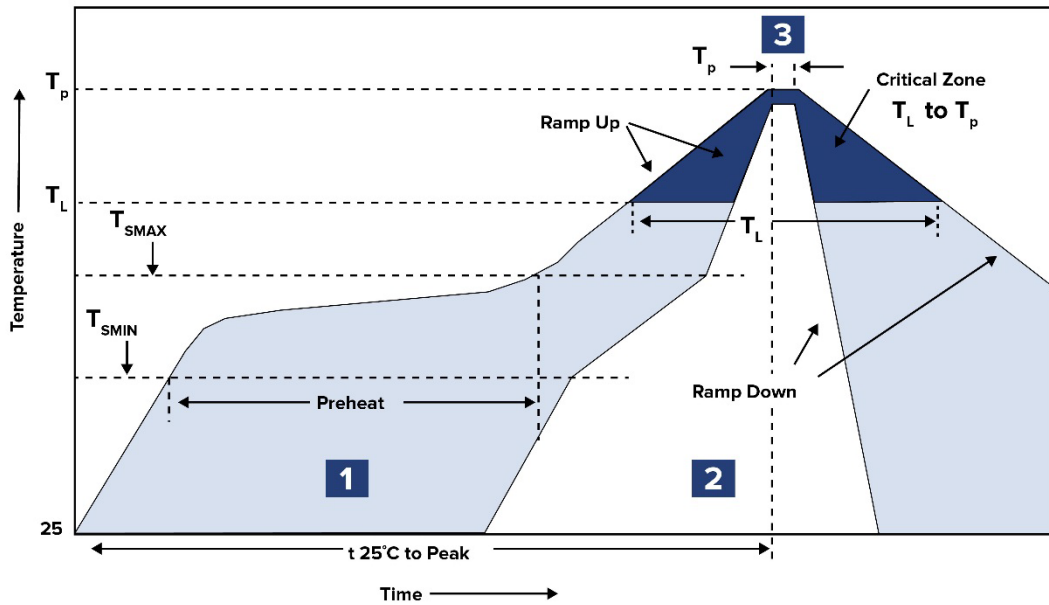


Various Sizes

RoHS/RoHS II Compliant

MSL Level = 1

## Reflow Profile



Zone	Description	Temperature	Times
1	Preheat	$T_{SMIN} \sim T_{SMAX}$ 100°C ~ 150°C	60 ~ 120 sec.
2	Reflow	$T_L$ 200°C	30 ~ 40 sec.
3	Peak heat	$T_p$ 240°C±5°C	5 sec. MAX

# 5.5V Coin Supercapacitor, Vertical



**ADCV-S05R5S**

Request Samples



Check Inventory



Various Sizes

RoHS/RoHS II Compliant

MSL Level = 1

## Packaging

Part Number	Quantity (PCS/Box)
ADCV-S05R5SA473WB	1456
ADCV-S05R5SA104XB	1456
ADCV-S05R5SA224WB	1232
ADCV-S05R5SA334ZB	1232
ADCV-S05R5SA474QB	1204
ADCV-S05R5SA105RB	1134
ADCV-S05R5SA155RB	1134

**ATTENTION:** Abracon LLC's products are COTS – Commercial-Off-The-Shelf products; suitable for Commercial, Industrial and, where designated, Automotive Applications. Abracon's products are not specifically designed for Military, Aviation, Aerospace, Life-dependent Medical applications or any application requiring high reliability where component failure could result in loss of life and/or property. For applications requiring high reliability and/or presenting an extreme operating environment, written consent and authorization from Abracon LLC is required. Please contact Abracon LLC for more information.



5101 Hidden Creek Ln, Spicewood TX 78669  
Phone: 512-371-6159 Fax: 512-351-8858  
For terms and conditions of sales, please visit:  
[www.abracon.com](http://www.abracon.com)

**REVISION Initial Release :**  
**8/18/2023**

ABRACON IS  
ISO9001-2015  
CERTIFIED

## X-ON Electronics

Largest Supplier of Electrical and Electronic Components

*Click to view similar products for [Supercapacitors](#) / [Ultracapacitors](#) category:*

*Click to view products by [Abracon](#) manufacturer:*

Other Similar products are found below :

[BZ12GA154ZHB](#) [BZ195B273ZNBDM](#) [C-TEC1225 P](#) [SCCY73B407SLBLE](#) [CPM3225A-2K](#) [iMOD054V062P3L-11A](#) [SCCS30B126SRB](#)  
[SC5V5Z255M](#) [TV1020-3R0605-AP](#) [SC5V5C224Z](#) [SC6V0Z505MV](#) [SC5V5Z255MH](#) [SC3V0L156MV](#) [SC5V5H474Z](#) [SC2V7L156M](#)  
[SC5V5V224Z](#) [SC5V5H334Z](#) [SC6V0Z105MV](#) [SC2V7L206M](#) [SC2V7L105MLR](#) [SC5V5Z505M](#) [SC5V5Z106MH](#) [SC5V5H105Z](#)  
[SC2V7L705MLR](#) [SC5V5H104Z](#) [SC5V5C474Z](#) [SC3V0L256MV](#) [SC5V5Z105Z](#) [SC5V5C334Z](#) [SC5V5V474Z](#) [SC5V5V334Z](#)  
[SC5V5Z505MH](#) [SC5V5V104Z](#) [SC5V5V155Z](#) [SC5V5H155Z](#) [SC5V5C155Z](#) [SC5V5H224Z](#) [FMU0H334ZFTP18](#) [ADCR-S03R0SA505MB](#)  
[ADCR-S03R0SA335MB](#) [ADCR-S03R0SA156MB](#) [ADCR-S03R0SA256MB](#) [ADCR-S03R0SA106MB](#) [ADCR-S03R0SA305MB](#) [ADCR-](#)  
[S03R0SB505MB](#) [DB5U207M30045HA](#) [DH5U128W60074TH](#) [DRE10/2.5](#) [106DCN2R7M](#) [SCCR20B335SRB](#)