

LPWA/ISM External Antenna



AEACAC053010-S868



53.4 x Ø10.4 mm
RoHS/RoHS II Compliant
MSL = 1

Features

- 868 MHz LPWA/ISM antenna
- Linear polarization
- Gain of 2 dBi
- Compact, low profile whip antenna

Applications

- LPWA/LoRa/SigFox applications
- ISM applications
- IoT
- M2M
- Remote technology/monitoring
- Network devices
- Smart buildings
- Smart city
- Agriculture/environment
- Consumer tracking

Electrical Characteristics

Parameters	Min.	Typ.	Max.	Units	Note
Frequency Range		868		MHz	
VSWR			3		
Polarization	Linear				
Impedance		50		Ω	
Gain		2		dBi	Zenith

Mechanical Characteristics

Parameters	Description
Mounting	Connector
Connector	SMA Male

Environmental Characteristics

Parameters	Description
Operating temperature	-40°C to +85°C
Vibration	10 to 55 Hz with 1.5 mm amplitude 2 hours

LPWA/ISM External Antenna

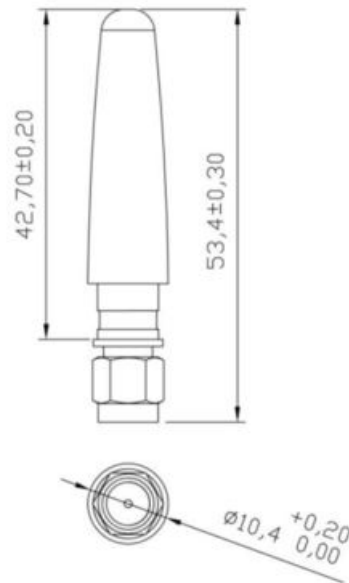


AEACAC053010-S868



53.4 x Ø10.4 mm
RoHS/RoHS II Compliant
MSL = 1

Dimensions (Unit : mm)



Product



LPWA/ISM External Antenna

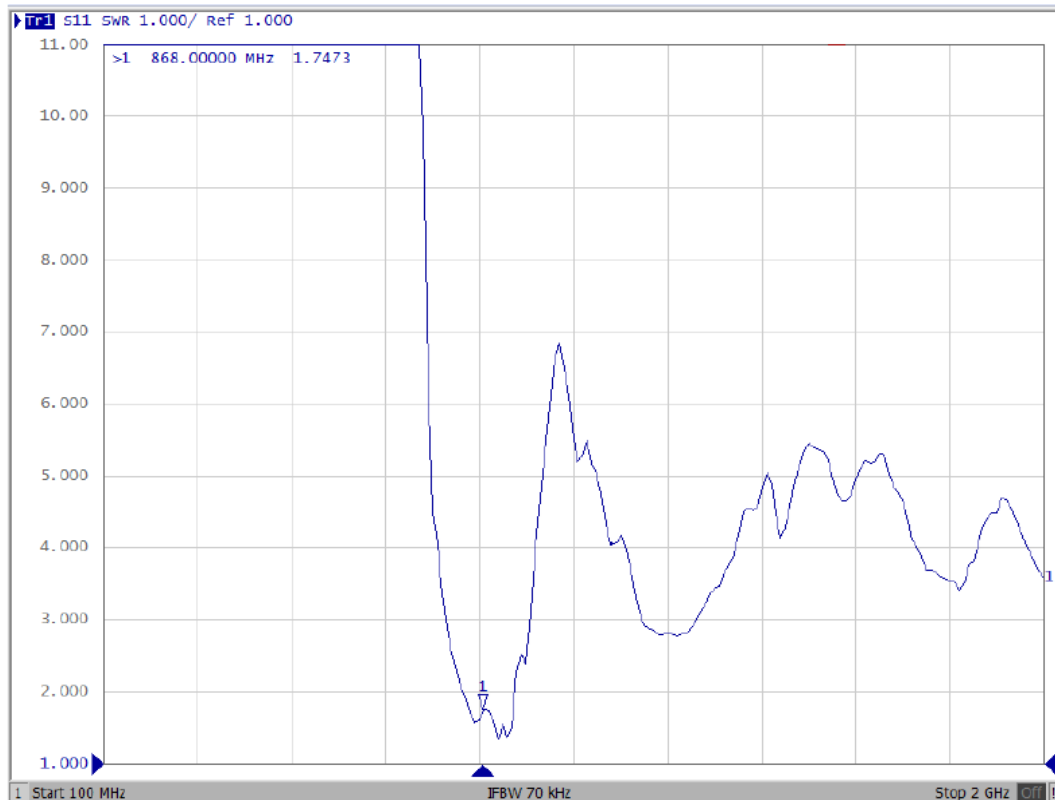


AEACAC053010-S868



53.4 x Ø10.4 mm
RoHS/RoHS II Compliant
MSL = 1

VSWR



ATTENTION: Abracon LLC's products are COTS – Commercial-Off-The-Shelf products; suitable for Commercial, Industrial and, where designated, Automotive Applications. Abracon's products are not specifically designed for Military, Aviation, Aerospace, Life-dependent Medical applications or any application requiring high reliability where component failure could result in loss of life and/or property. For applications requiring high reliability and/or presenting an extreme operating environment, written consent and authorization from Abracon LLC is required. Please contact Abracon LLC for more information.



5101 Hidden Creek Ln Spicewood TX 78669
Phone: 512-371-6159 | Fax: 512-351-8858
For terms and conditions of sales, please visit:
www.abracon.com

REVISED: 01.24.2019

ABRACON IS
ISO9001-2015
CERTIFIED

LPWA/ISM External Antenna



AEACAC053010-S868



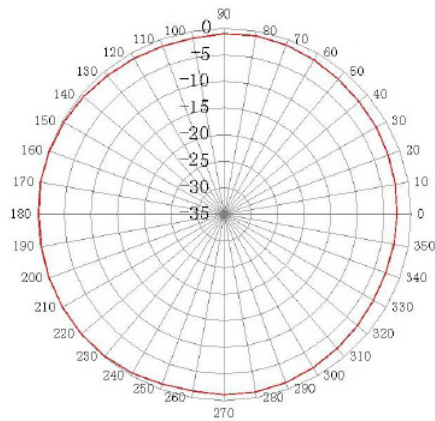
53.4 x Ø10.4 mm
RoHS/RoHS II Compliant
MSL = 1

Radiation Pattern

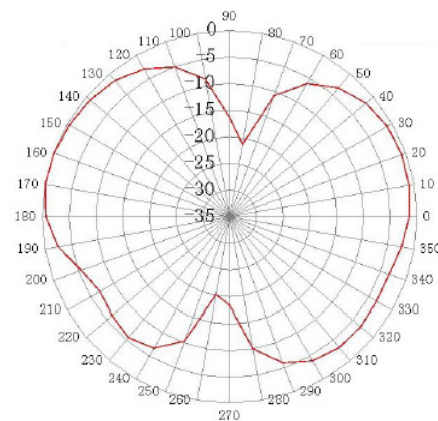
2D – Pattern

Frequency: 868 MHz

Horizontal Plane

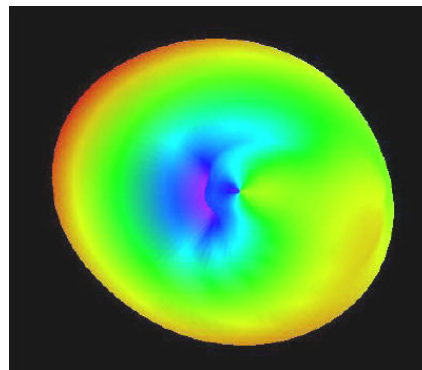


Vertical Plane



3D – Pattern

Frequency: 868 MHz



Frequency (MHz)	Efficiency	Gain (dBi)
868	0.61	2.11

Package

A carton weighs about 8 Kg with 1,000 pieces each of dimension 37 x 36 x 17 cm.



5101 Hidden Creek Ln Spicewood TX 78669
Phone: 512-371-6159 | Fax: 512-351-8858
For terms and conditions of sales, please visit:
www.abracon.com

REVISED: 01.24.2019

ABRACON IS
ISO9001-2015
CERTIFIED

X-ON Electronics

Largest Supplier of Electrical and Electronic Components

Click to view similar products for [Antennas](#) category:

Click to view products by [Abracon](#) manufacturer:

Other Similar products are found below :

[GAN30084EU](#) [930-033-R](#) [GW17.07.0250E](#) [1513563-1](#) [EXE902SM](#) [APAMPG-117](#) [MAF94383](#) [W3908B0100](#) [W6102B0100](#) [YE572113-30RSMM](#) [108-00014-50](#) [66089-2406](#) [A09-F8NF-M](#) [A09-F5NF-M](#) [RGFRA1903041A1T](#) [W3593B0100](#) [W3921B0100](#) [SIMNA-868](#) [SIMNA-915](#) [SIMNA-433](#) [W1044](#) [W1049B090](#) [A75-001](#) [WTL2449CQ1-FRSMM](#) [CPL9C](#) [EXB148BN](#) [0600-00060](#) [TRA9020S3PBN-001](#) [GD5W-28P-NF](#) [MA9-7N](#) [GD53-25](#) [GD5W-21P-NF](#) [EXB144SM](#) [C37](#) [MAF94051](#) [GD35-17P-NF](#) [P1744](#) [MA9-5N](#) [EXD420PL](#) [B1322NR](#) [QWFTB120](#) [MAF94271](#) [MAF94300](#) [GPSMB301](#) [FG4403](#) [AO-AGSM-OM54](#) [5200232](#) [MIKROE-2349](#) [WCM.01.0111](#) [MIKROE-2393](#)