

915 MHz External Whip Antenna



AEACAQ190012-S915



190.0 x Ø12.9 mm
RoHS/RoHS II Compliant

MSL = N/A: NOT APPLICABLE

FEATURES

- Gain of 3.5dBi
- 10W input power
- VSWR \leq 2.5
- 915 MHz bandwidth
- 190 x 12.9 mm form factor

APPLICATIONS

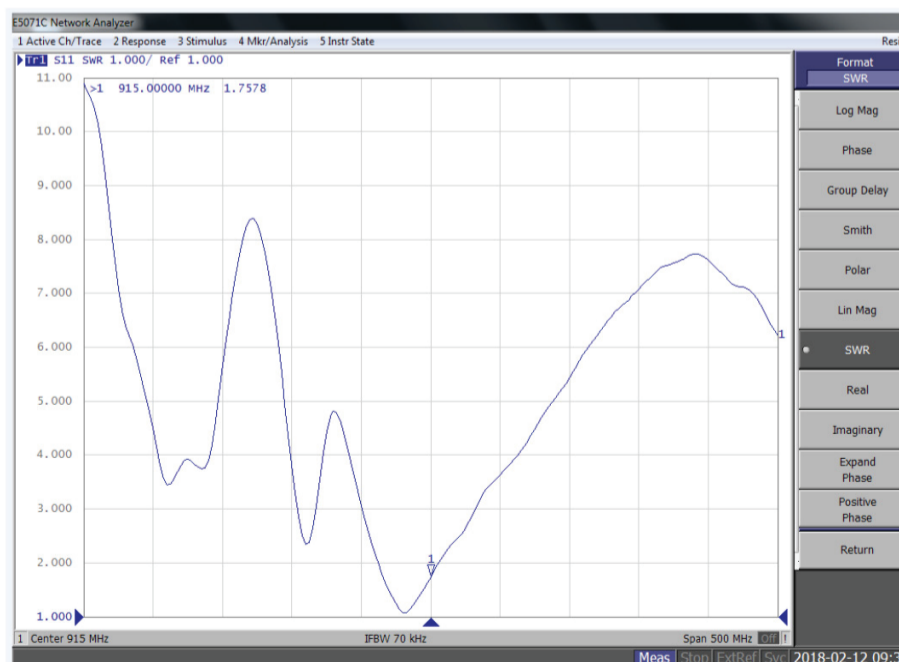
- LPWA
- LoRA
- Sigfox
- ISM Applications
- Remote monitoring
- Network devices
- Smart buildings
- Smart cities
- M2M
- Agriculture / Environment
- Consumer tracking

ELECTRICAL SPECIFICATIONS

| Parameters | Min. | Typ. | Max. | Units | Note |
|-----------------------|--------|---------------|------|--------------|------|
| Frequency Range | | 915 | | MHz | |
| Bandwidth | | CF \pm 8MHz | | | |
| VSWR | | | 2.5 | | |
| Polarization Model | Linear | | | | |
| Impedance | | 50 | | Ω | |
| Gain | | 3.5 | | dBi | |
| Operating Temperature | -40 | | +85 | $^{\circ}$ C | |
| Input Power | | | 10 | W | |

RETURN - LOSS CHARACTERISTICS

S11 Return-Loss



915 MHz External Whip Antenna



AEACAQ190012-S915



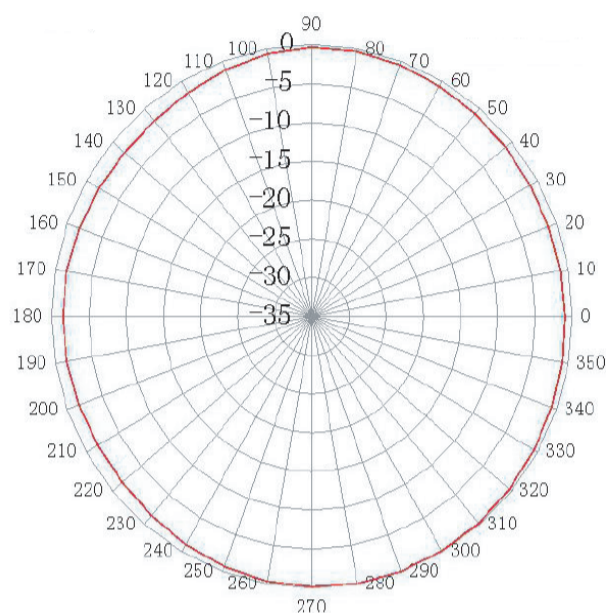
190.0 x Ø12.9 mm
RoHS/RoHS II Compliant

MSL = N/A: NOT APPLICABLE

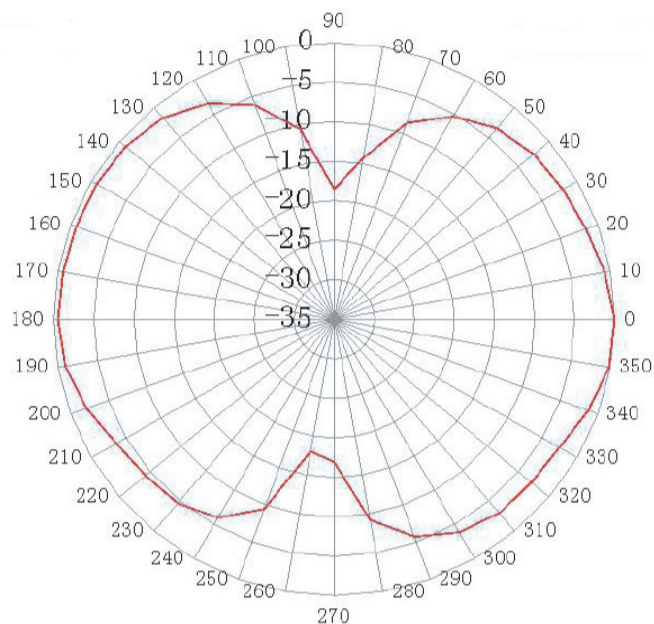
RADIATION PATTERNS

Antenna 2D Patterns

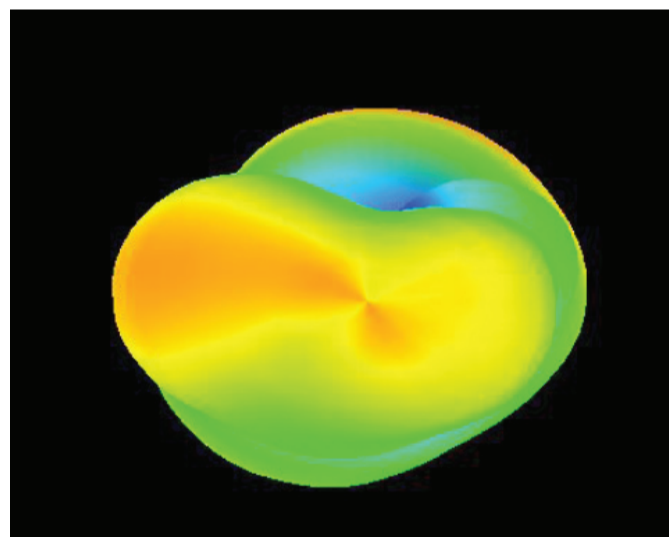
Horizontal Plane



Vertical Plane



Antenna 3D Pattern
915 MHz



| | |
|-----------------|------|
| Frequency (MHz) | 915 |
| Peak Gain (dBi) | 3.50 |
| Efficiency (%) | 66 |

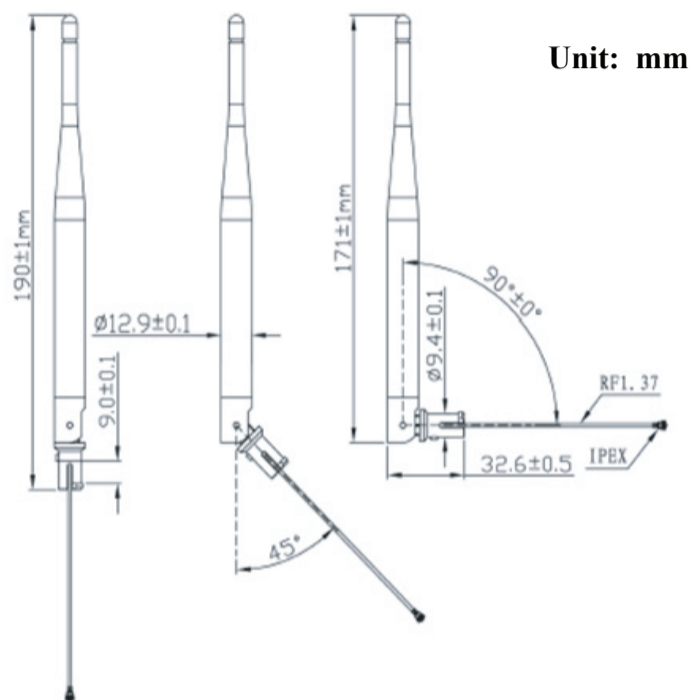
915 MHz External Whip Antenna



AEACAQ190012-S915

Pb | 190.0 x Ø12.9 mm
RoHS/RoHS II Compliant
 MSL = N/A: NOT APPLICABLE

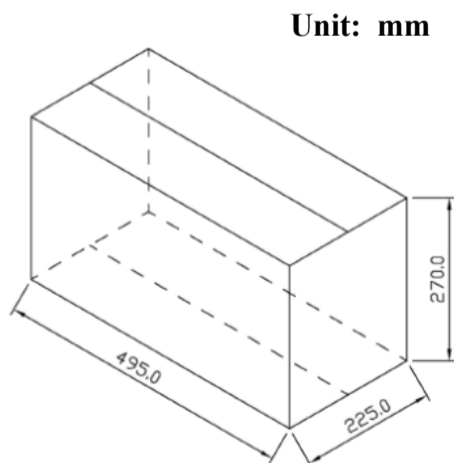
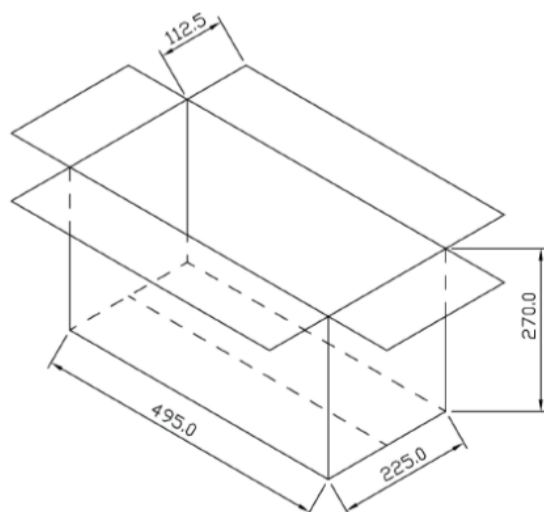
DIMENSIONS



| Parameters | Description |
|---------------|------------------------|
| Cable Length | 10.0 cm |
| RF Cable | RG178/RF1.37 or others |
| RF Connector | IPEX or others |
| Mounting Type | Knuckle |

PACKAGING:

Each 495 x 225 x 270 mm size carton includes 500 pcs antenna, 13kgs/carton.



X-ON Electronics

Largest Supplier of Electrical and Electronic Components

Click to view similar products for [Antennas](#) category:

Click to view products by [ABRACON](#) manufacturer:

Other Similar products are found below :

[GAN30084EU](#) [930-033-R](#) [GW17.07.0250E](#) [1513563-1](#) [EXE902SM](#) [APAMPG-117](#) [MAF94383](#) [W3908B0100](#) [W6102B0100](#) [YE572113-30RSMM](#) [108-00014-50](#) [66089-2406](#) [A09-F8NF-M](#) [A09-F5NF-M](#) [RGFRA1903041A1T](#) [W3593B0100](#) [W3921B0100](#) [SIMNA-868](#) [SIMNA-915](#) [SIMNA-433](#) [W1044](#) [W1049B090](#) [A75-001](#) [WTL2449CQ1-FRSMM](#) [CPL9C](#) [EXB148BN](#) [0600-00060](#) [TRA9020S3PBN-001](#) [GD5W-28P-NF](#) [MA9-7N](#) [GD53-25](#) [GD5W-21P-NF](#) [EXB144SM](#) [C37](#) [MAF94051](#) [GD35-17P-NF](#) [P1744](#) [MA9-5N](#) [EXD420PL](#) [B1322NR](#) [QWFTB120](#) [MAF94271](#) [MAF94300](#) [GPSMB301](#) [FG4403](#) [AO-AGSM-OM54](#) [5200232](#) [MIKROE-2349](#) [WCM.01.0111](#) [MIKROE-2393](#)