

Dual Band (2.4GHz/5GHz) External Antenna



AEACBK050048-SW2



48.0 x Ø50.0 mm
RoHS/RoHS II Compliant
MSL = N/A: Not Applicable

Features

- Dual Band 2.4GHz/5GHz WiFi
- Linear polarization
- Screw mounting
- IP67 rated
- VSWR < 2.5

Applications

- WiFi/ISM applications
- IoT
- M2M
- Remote monitoring
- Smart meters
- Gateways and routers
- Public safety

Electrical Specifications

Parameters	Min.	Typ.	Max.	Units	Notes
Operating Frequency	2400		2483.5	MHz	
	4900		5825		
VSWR			2.5		
Gain		2		dBi	
Polarization	Linear				
Impedance		50		Ω	

Mechanical Specifications

Parameters	Description
Cable Type	LMR100
Cable Length	3 m
Connector	SMA
Radome Material	ABS
Mounting Type	Screw

Environmental Specifications

Parameters	Description	Notes
Operating Temperature	-40 °C to +85 °C	
Relative Humidity	Up to 95 %	
Ingress Protection	IP67	Excluding cable outlet
Vibration	10 ~ 55 Hz with 1.5 mm amplitude 2 hours	



5101 Hidden Creek Ln Spicewood TX 78669
Phone: 512-371-6159 | Fax: 512-351-8858
For terms and conditions of sales, please visit:
www.abracon.com

REVISED: 07-31-20

ABRACON IS
ISO9001-2015
CERTIFIED

Dual Band (2.4GHz/5GHz) External Antenna

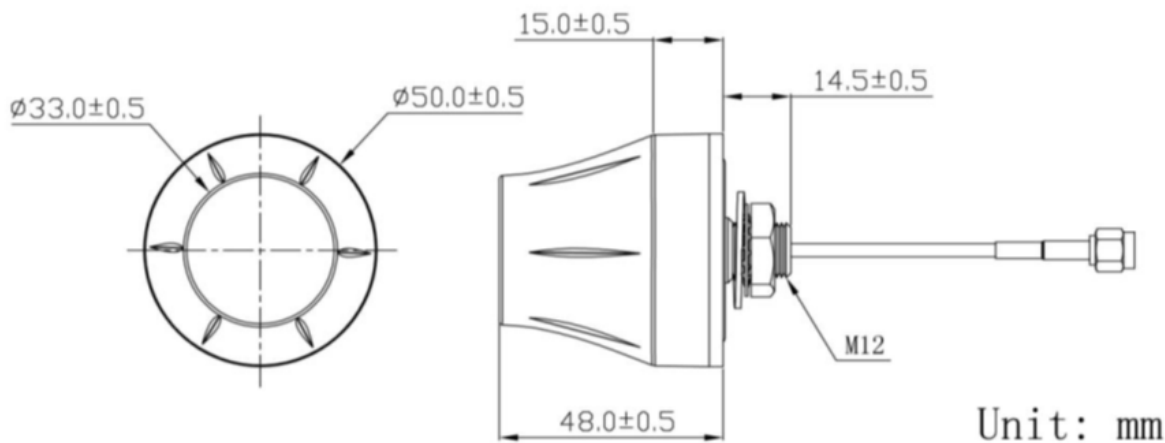
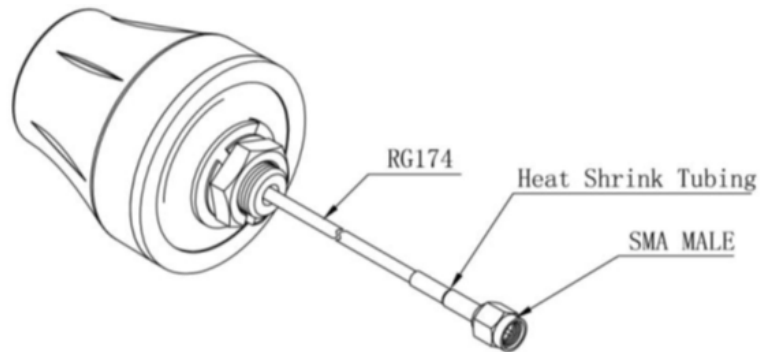


AEACBK050048-SW2



48.0 x Ø50.0 mm
RoHS/RoHS II Compliant
MSL = N/A: Not Applicable

Product Dimensions



Dual Band (2.4GHz/5GHz) External Antenna

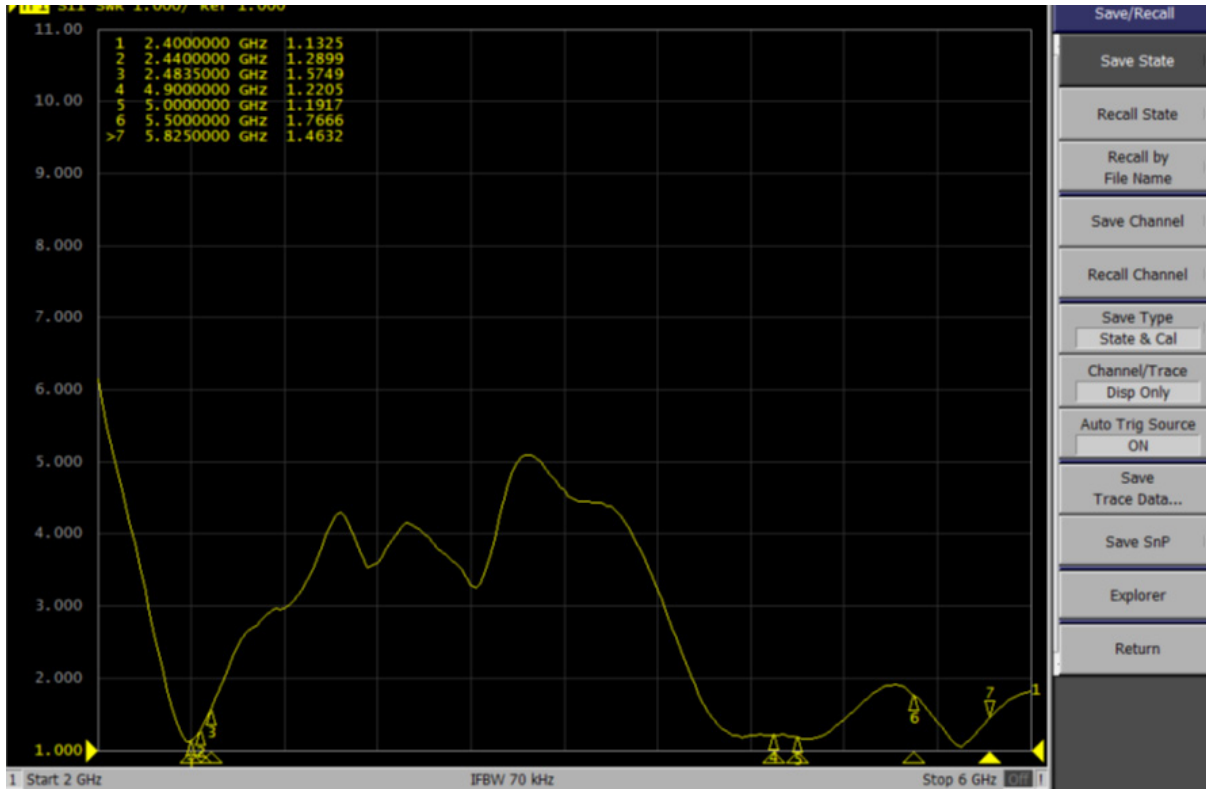


AEACBK050048-SW2



48.0 x Ø50.0 mm
RoHS/RoHS II Compliant
MSL = N/A: Not Applicable

VSWR



Dual Band (2.4GHz/5GHz) External Antenna



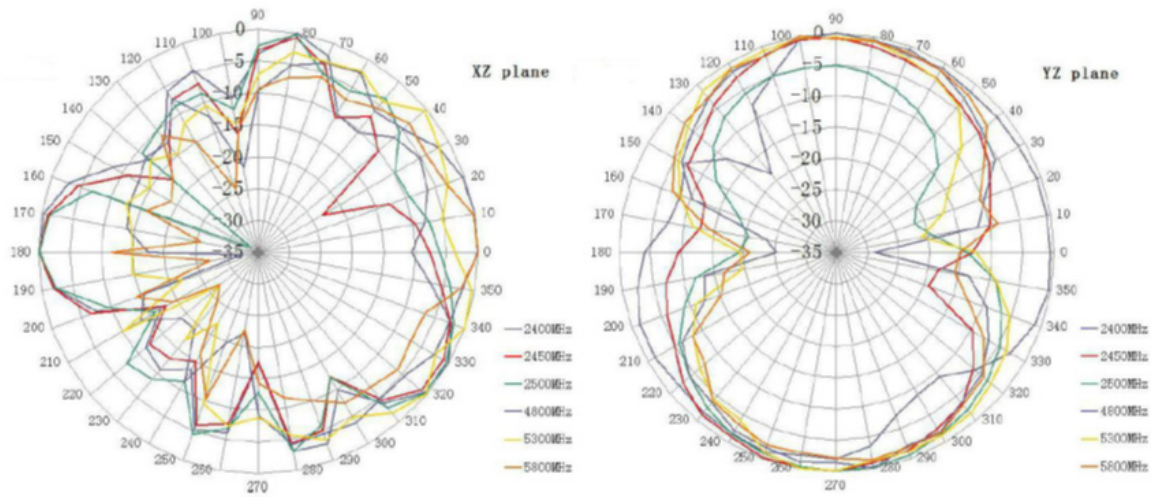
AEACBK050048-SW2



48.0 x Ø50.0 mm
RoHS/RoHS II Compliant
MSL = N/A: Not Applicable

Radiation Pattern

2D - Pattern



Dual Band (2.4GHz/5GHz) External Antenna



AEACBK050048-SW2

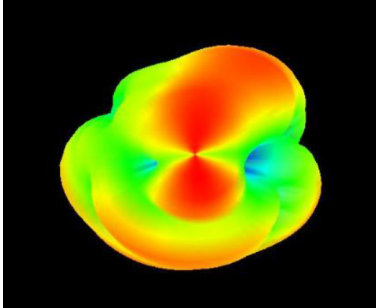


48.0 x Ø50.0 mm
RoHS/RoHS II Compliant
MSL = N/A: Not Applicable

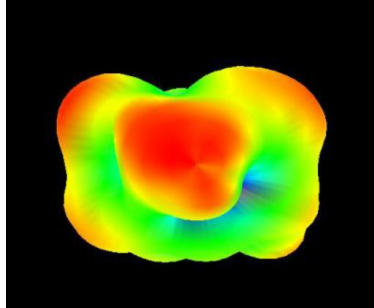
Radiation Pattern

3D - Pattern

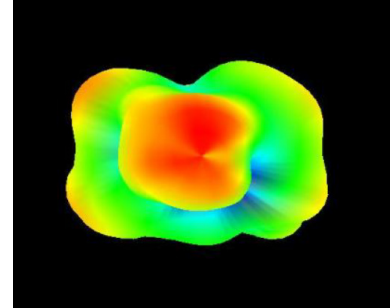
2400 MHz



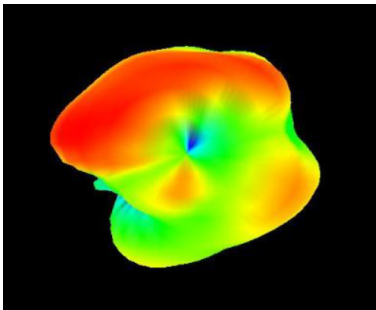
2450 MHz



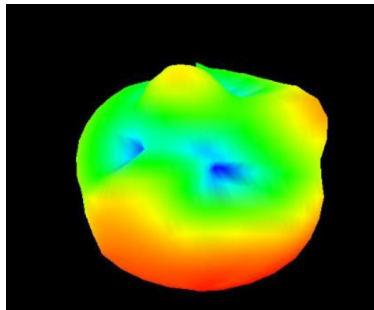
2483 MHz



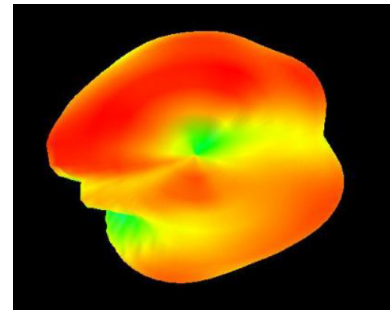
4800 MHz



5300 MHz



5800 MHz



Frequency(MHz)	Efficiency	Gain(dBi)
2400.0	0.62	1.91
2450.0	0.64	2.10
2483.5	0.59	1.90
4800.0	0.56	0.97
5300.0	0.57	1.86
5800.0	0.59	1.81

Dual Band (2.4GHz/5GHz) External Antenna



AEACBK050048-SW2



48.0 x Ø50.0 mm
RoHS/RoHS II Compliant
MSL = N/A: Not Applicable

Packaging

A carton holds 100 pcs of antenna. It is of dimension 49.5 x 22.5 x 27 cm and weighs 11 Kg.

ATTENTION: Abracon LLC's products are COTS – Commercial-Off-The-Shelf products; suitable for Commercial, Industrial and, where designated, Automotive Applications. Abracon's products are not specifically designed for Military, Aviation, Aerospace, Life-dependent Medical applications or any application requiring high reliability where component failure could result in loss of life and/or property. For applications requiring high reliability and/or presenting an extreme operating environment, written consent and authorization from Abracon LLC is required. Please contact Abracon LLC for more information.



5101 Hidden Creek Ln Spicewood TX 78669
Phone: 512-371-6159 | Fax: 512-351-8858
For terms and conditions of sales, please visit:
www.abracon.com

REVISED: 07-31-20

ABRACON IS
ISO9001-2015
CERTIFIED

X-ON Electronics

Largest Supplier of Electrical and Electronic Components

Click to view similar products for [Antennas](#) category:

Click to view products by [Abracon](#) manufacturer:

Other Similar products are found below :

[GAN30084EU](#) [930-033-R](#) [GW17.07.0250E](#) [1513563-1](#) [EXE902SM](#) [APAMPG-117](#) [MAF94383](#) [W3908B0100](#) [W6102B0100](#) [YE572113-](#)
[30RSMM](#) [108-00014-50](#) [66089-2406](#) [A09-F8NF-M](#) [A09-F5NF-M](#) [RGFRA1903041A1T](#) [W3593B0100](#) [W3921B0100](#) [SIMNA-868](#) [SIMNA-](#)
[915](#) [SIMNA-433](#) [W1044](#) [W1049B090](#) [A75-001](#) [WTL2449CQ1-FRSMM](#) [CPL9C](#) [EXB148BN](#) [0600-00060](#) [TRA9020S3PBN-001](#) [GD5W-](#)
[28P-NF](#) [MA9-7N](#) [GD53-25](#) [GD5W-21P-NF](#) [EXB144SM](#) [C37](#) [MAF94051](#) [GD35-17P-NF](#) [P1744](#) [MA9-5N](#) [EXD420PL](#) [B1322NR](#)
[QWFTB120](#) [MAF94271](#) [MAF94300](#) [GPSMB301](#) [FG4403](#) [AO-AGSM-OM54](#) [5200232](#) [MIKROE-2349](#) [WCM.01.0111](#) [MIKROE-2393](#)