

GSM I-Bar Adhesive Antenna



AEACCA115021-S850

115.6 x 21.7 x 5.8mm

Pb | RoHS/RoHS II Compliant
MSL = NOT APPLICABLE

FEATURES

- Adhesive mount
- Gain of 2dBi
- VSWR of 2.0
- Low profile 5.8mm
- Multiband 824-960MHz and 1710MHz-2170MHz
- Blade type GSM antenna covering GSM-850, GSM-900, DCS-1800, PCS-1900 bands

APPLICATIONS

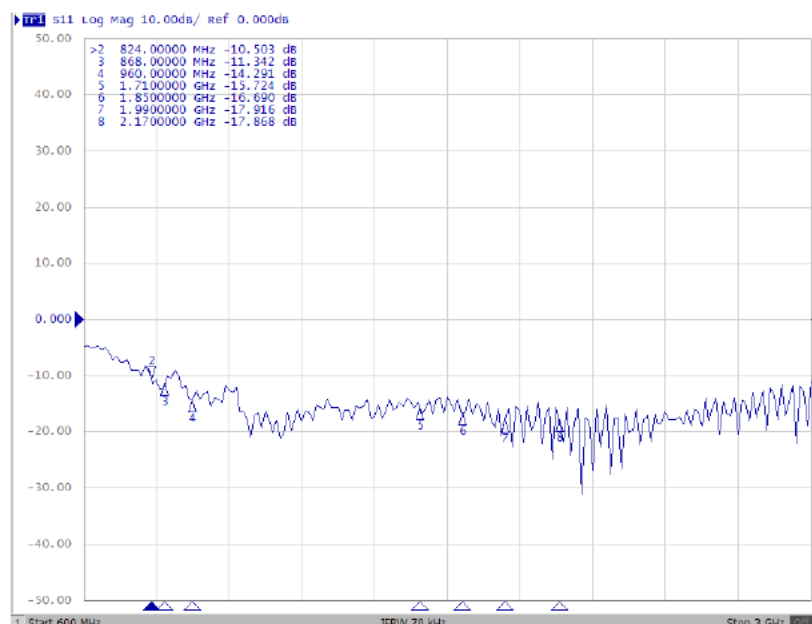
- IoT applications
- M2M
- GSM applications
- Telematics
- Remote Technology/monitoring
- POS terminals

ELECTRICAL SPECIFICATIONS

| Parameters | Min. | Typ. | Max. | Units | Note |
|-----------------------|--------|---------------------|------|--------------------|------|
| Frequency Range | | 824~960 / 1710~2170 | | MHz | |
| VSWR | | | 2.0 | | |
| Polarization Model | Linear | | | | |
| Impedance | | 50 | | Ω | |
| Gain | | 2 | | dBi | |
| Operating Temperature | -40 | | +85 | $^{\circ}\text{C}$ | |
| Input Power | | | 10 | W | |

RETURN - LOSS CHARACTERISTICS

S11 Return-Loss



GSM I-Bar Adhesive Antenna

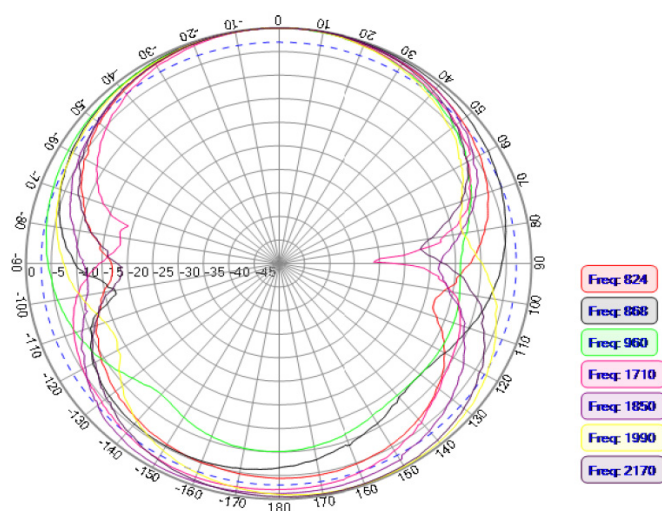


AEACCA115021-S850

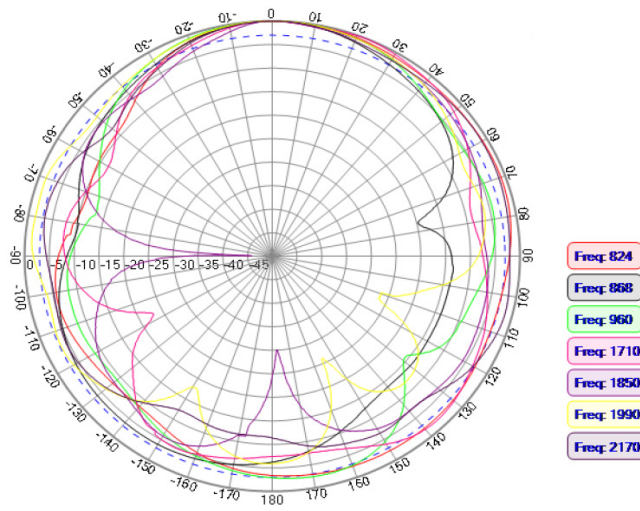
115.6 x 21.7 x 5.8mm
Pb | **RoHS/RoHS II Compliant**
MSL = NOT APPLICABLE

RADIATION PATTERNS

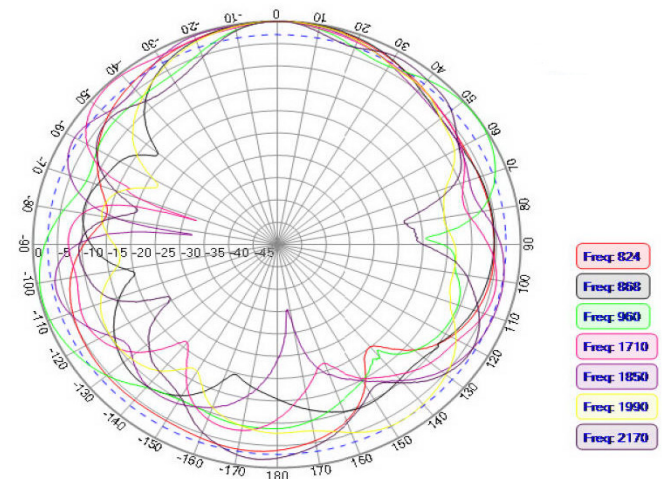
XY Plane



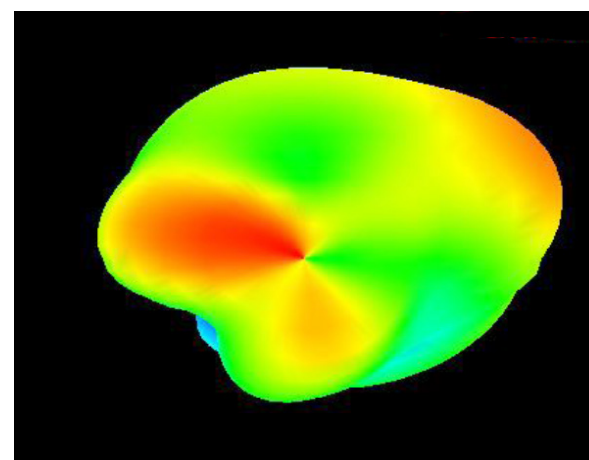
XZ Plane



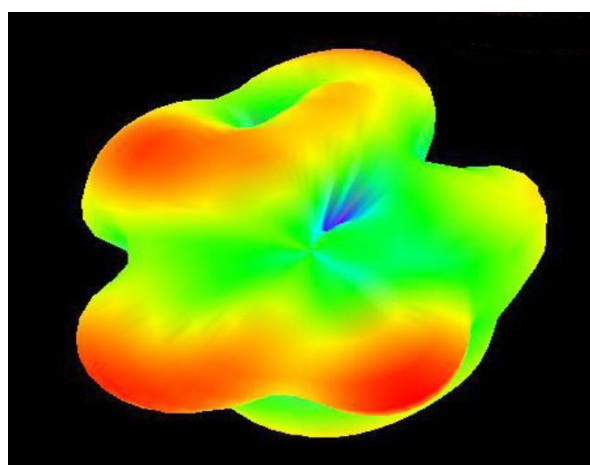
YZ Plane



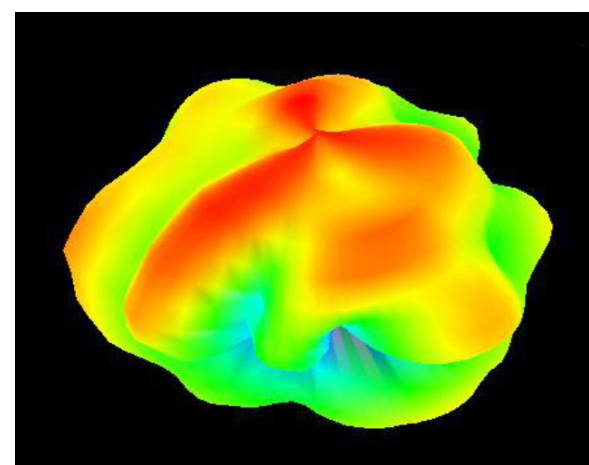
824 MHz



1710 MHz



2170 MHz



| | | | |
|-----------------|-------|-------|------|
| Frequency (MHz) | 824 | 1710 | 2170 |
| Peak Gain (dBi) | -1.01 | -0.50 | 0.41 |
| Efficiency (%) | 60 | 57 | 57 |

GSM I-Bar Adhesive Antenna

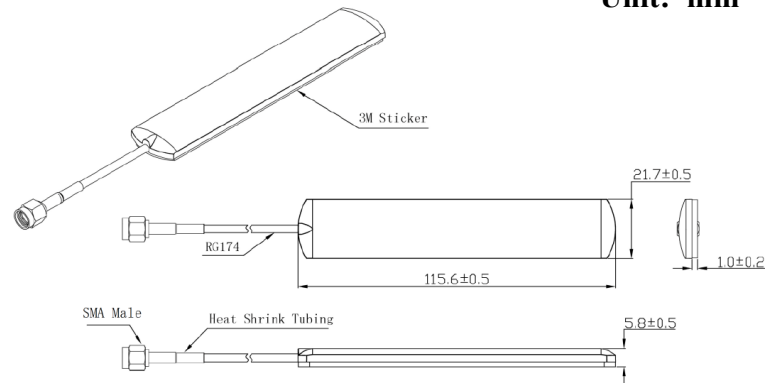


AEACCA115021-S850

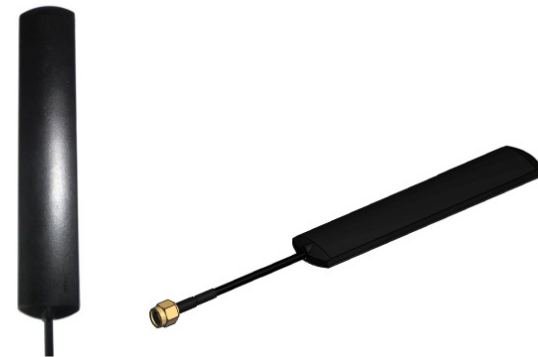
115.6 x 21.7 x 5.8mm
Pb | **RoHS/RoHS II Compliant**
MSL = NOT APPLICABLE

DIMENSIONS:

Unit: mm



Unit: mm

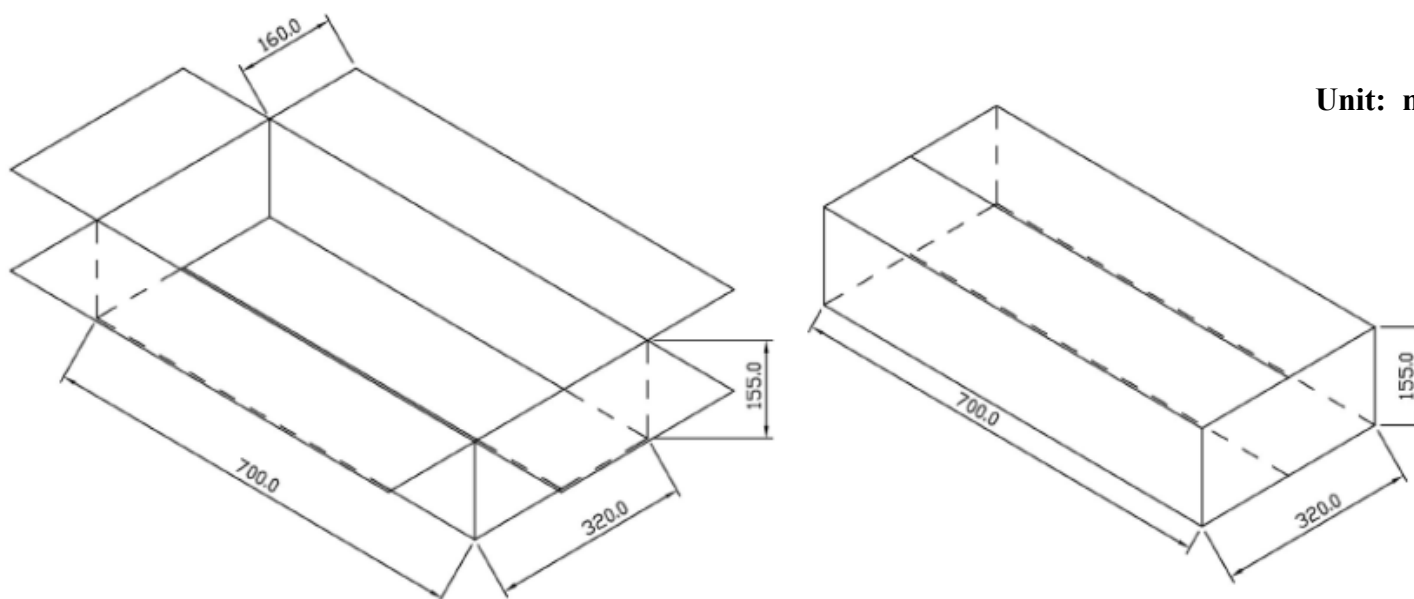


| Parameters | Description |
|-----------------|-------------|
| Cable Length | 3.00 m |
| RF Cable | RG174 |
| RF Connector | SMA |
| Radome Material | ABS |
| Mounting Type | Adhesive |

PACKAGING:

Each 700 x 320 x 155 mm size carton includes 250 pcs antenna, 13kgs/carton.

Unit: mm



X-ON Electronics

Largest Supplier of Electrical and Electronic Components

Click to view similar products for [Antennas](#) category:

Click to view products by [ABRACON](#) manufacturer:

Other Similar products are found below :

[GAN30084EU](#) [930-033-R](#) [GW17.07.0250E](#) [1513563-1](#) [EXE902SM](#) [APAMPG-117](#) [MAF94383](#) [W3908B0100](#) [W6102B0100](#) [YE572113-30RSMM](#) [108-00014-50](#) [66089-2406](#) [A09-F8NF-M](#) [A09-F5NF-M](#) [RGFRA1903041A1T](#) [W3593B0100](#) [W3921B0100](#) [SIMNA-868](#) [SIMNA-915](#) [SIMNA-433](#) [W1044](#) [W1049B090](#) [A75-001](#) [WTL2449CQ1-FRSMM](#) [CPL9C](#) [EXB148BN](#) [0600-00060](#) [TRA9020S3PBN-001](#) [GD5W-28P-NF](#) [MA9-7N](#) [GD53-25](#) [GD5W-21P-NF](#) [EXB144SM](#) [C37](#) [MAF94051](#) [GD35-17P-NF](#) [P1744](#) [MA9-5N](#) [EXD420PL](#) [B1322NR](#) [QWFTB120](#) [MAF94271](#) [MAF94300](#) [GPSMB301](#) [FG4403](#) [AO-AGSM-OM54](#) [5200232](#) [MIKROE-2349](#) [WCM.01.0111](#) [MIKROE-2393](#)