

GNSS - Automotive Grade Active External Puck Antenna



AECA0401G4Z

Request Samples



Check Inventory



45.2 x 35.8 x 15.2 mm
RoHS/RoHS II Compliant
MSL Level = 1

Features

- Automotive Grade Antenna
- Manufactured in Automotive Certified line
 - IATF 16949 certified
- PPAP available upon request
- GNSS/GPS/GLONASS/BeiDou/QZSS
- High Gain of 5 dBi
- High LNA gain of 28±2 dB
- RHCP
- IP67
- Easy installation using built-in adhesive tape
- Fully customizable cable and connector options for RF connection

Applications

- IoT
- M2M
- Automotive Applications
- Geolocation Tracking
- Vehicle Tracking
- Fleet Management
- Smart City
- Transportation
- Smart Agriculture

Product Image



GNSS - Automotive Grade Active External Puck Antenna



AECA0401G4Z

Request Samples



Check Inventory



45.2 x 35.8 x 15.2 mm
RoHS/RoHS II Compliant
 MSL Level = 1

Part Number Builder

AECA0401G4Z -

Color / UV Coating	
Code	Description
S (Standard)	Black without UV coating
A	Black with UV Coating
B	White without UV Coating
C	White with UV Coating

Cable length in 'mm'	
Code	Description
3000 (Standard)	3000 mm
Other Examples :	
0200	200 mm
2000	2000 mm

Cable Type & Connector Type		
Code	Cable Type	Connector Type
S (Standard)	RG-174	SMA (M)
A		FAKRA C (F)
B		RP-SMA (M)
C		SMB (M)
D		N-Type (M)
E		TNC (M)
F		BNC (M)
G		MCX (M)
H		MMCX (M)
I		FME (M)
J		FME (F)
K		SMA (M)
L		FAKRA C (F)
M	RP-SMA (M)	
N	SMB (M)	
O	N-Type (M)	
P	TNC (M)	
Q	BNC (M)	
R	MCX (M)	
T	MMCX (M)	
U	FME (M)	
V	FME (F)	

Example Configurations :

Part Number	UV Protection Coating / Color	Cable length	Cable Type / Connector Type
AECA0401G4Z S-3000S	No / Black	3000 mm	RG-174 with SMA (M) (Standard)
AECA0401G4Z A-1000A	Yes / Black	1000 mm	RG-174 with FAKRA C (M)
AECA0401G4Z B-5000O	No / White	5000 mm	LMR-100 with N-Type (M)

Note :

- For the standard part number (AECA0401G4Z**S-3000S**), please refer to the packaging at the end of the document.
- For custom configurations (AECA0401G4Z), MOQs, pricing and packaging changes may be applicable.



5101 Hidden Creek Ln Spicewood TX 78669
 Phone: 512-371-6159 | Fax: 512-351-8858
 For terms and conditions of sales, please visit:
www.abracon.com

REVISED: 05-12-20

ABRACON IS
 ISO9001-2015
 CERTIFIED

GNSS - Automotive Grade Active External Puck Antenna



AECA0401G4Z

Request Samples



Check Inventory



45.2 x 35.8 x 15.2 mm
RoHS/RoHS II Compliant
 MSL Level = 1

Electrical Specification

Parameter	Min	Typ	Max	Unit
Center Frequency	1561		1602	MHz
VSWR			1.5	
Gain (Zenith)			5	dBiC
Polarization		RHCP		
Impedance		50		Ω
Axial Ratio			3	dB
LNA				
Noise Figure			1.5	dB
Gain	26	28	30	dB
VSWR			2.0	
Ex-band Attenuation	CF + 50 MHz	12		dB
	CF - 50 MHz	16		
DC Supply Voltage	2.2		5.0	V
Current Consumption	5		15	mA
FILTER				
Insertion Loss			3.0	dB

Mechanical Specification

Parameter	Specification
Antenna Dimension	45.2 x 35.8 x 15.2 mm
Radome Material	ABS
Mounting Type	Adhesive
RF Connector	SMA (M)
RF Cable	RG-174
Cable Length	3 m

Environmental Specification

Parameter	Specification
Operating Temperature	-40°C to +85°C
Storage Temperature	-40°C to +85°C
RoHS Compliance	Yes
PB Free	Yes
MSL	1
ESD Sensitive	Yes
Vibration	10 ~ 55 Hz with 1.5 mm amplitude 2 hrs
UL Rating	UL-94 HB
Ingress Protection	IP67 (excluding cable outlet)



5101 Hidden Creek Ln Spicewood TX 78669
 Phone: 512-371-6159 | Fax: 512-351-8858
 For terms and conditions of sales, please visit:
www.abracon.com

REVISED: 05-12-20

ABRACON IS
 ISO9001-2015
 CERTIFIED

GNSS - Automotive Grade Active External Puck Antenna



AECA0401G4Z

Request Samples

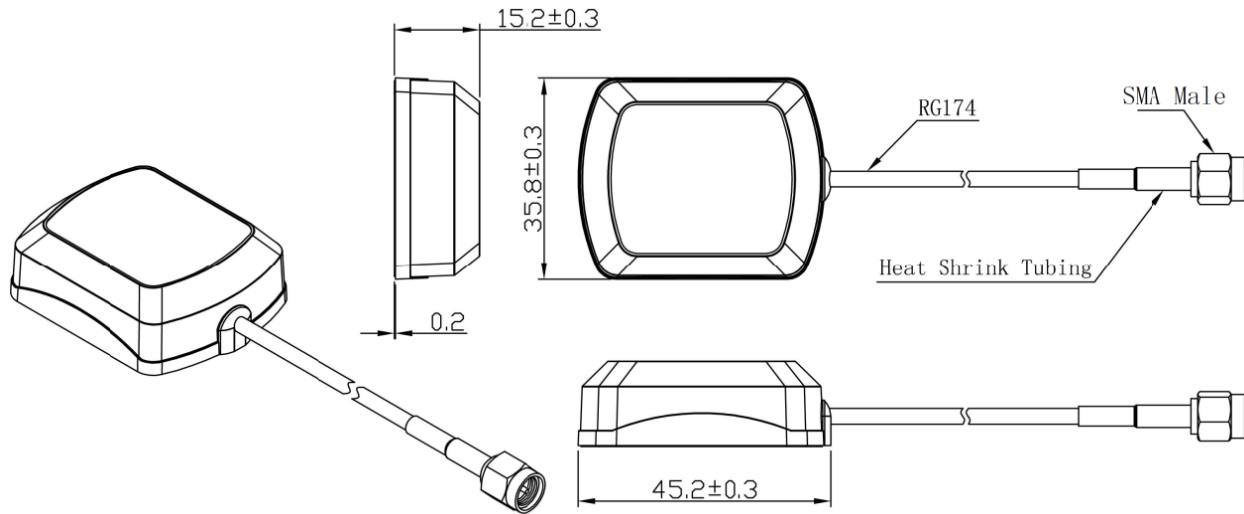


Check Inventory



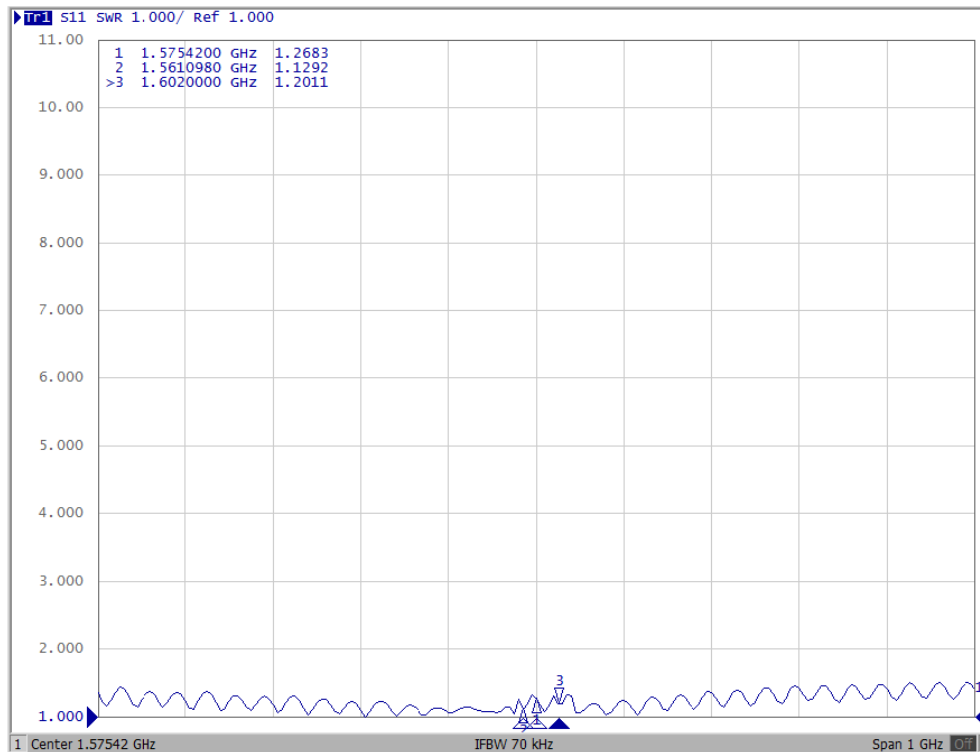
45.2 x 35.8 x 15.2 mm
RoHS/RoHS II Compliant
MSL Level = 1

Product Dimension



Unit : mm

Test Measurement - VSWR



5101 Hidden Creek Ln Spicewood TX 78669
Phone: 512-371-6159 | Fax: 512-351-8858
For terms and conditions of sales, please visit:
www.abracon.com

REVISED: 05-12-20

ABRACON IS
ISO9001-2015
CERTIFIED

GNSS - Automotive Grade Active External Puck Antenna



AECA0401G4Z

Request Samples



Check Inventory

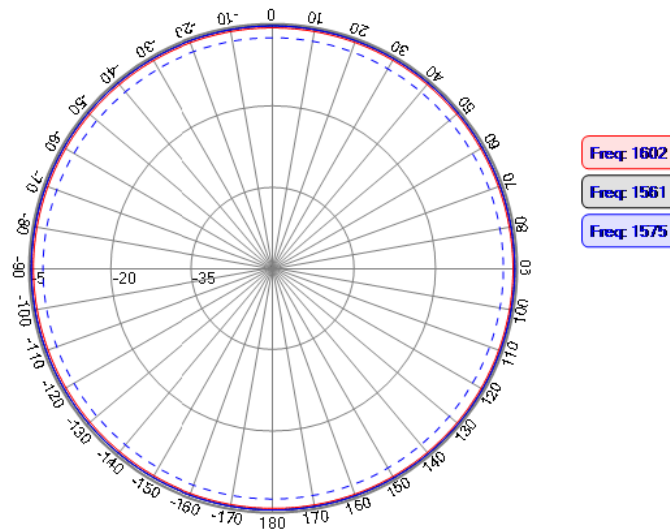


45.2 x 35.8 x 15.2 mm
RoHS/RoHS II Compliant
MSL Level = 1

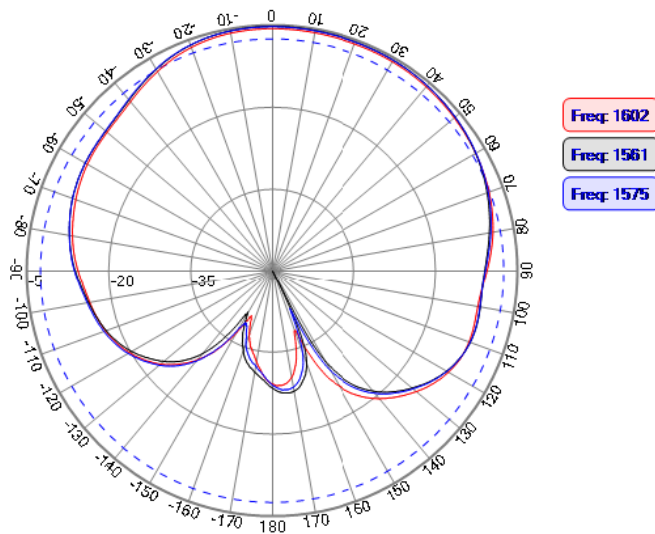
Radiation Characteristics

2D Pattern

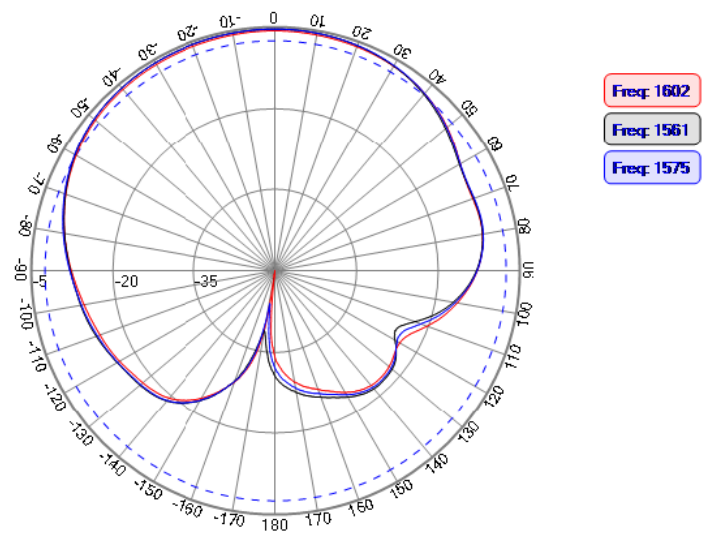
XY - Plane



XZ - Plane



YZ - Plane



GNSS - Automotive Grade Active External Puck Antenna



AECA0401G4Z

Request Samples



Check Inventory



45.2 x 35.8 x 15.2 mm
RoHS/RoHS II Compliant
MSL Level = 1

Packaging Information

Number of Antenna/ Carton : 200 pcs
Weight of 1 pc of the antenna : 65 g
Dimension of the Carton : 490 x 230 x 270 mm
Weight of the Carton : 14 kg

ATTENTION: Abracon LLC's products are COTS – Commercial-Off-The-Shelf products; suitable for Commercial, Industrial and, where designated, Automotive Applications. Abracon's products are not specifically designed for Military, Aviation, Aerospace, Life-dependent Medical applications or any application requiring high reliability where component failure could result in loss of life and/or property. For applications requiring high reliability and/or presenting an extreme operating environment, written consent and authorization from Abracon LLC is required. Please contact Abracon LLC for more information.



5101 Hidden Creek Ln Spicewood TX 78669
Phone: 512-371-6159 | Fax: 512-351-8858
For terms and conditions of sales, please visit:
www.abracon.com

REVISED: 05-12-20

ABRACON IS
ISO9001-2015
CERTIFIED

X-ON Electronics

Largest Supplier of Electrical and Electronic Components

Click to view similar products for [Antennas](#) category:

Click to view products by [Abracon](#) manufacturer:

Other Similar products are found below :

[GAN30084EU](#) [930-033-R](#) [GW17.07.0250E](#) [1513563-1](#) [EXE902SM](#) [APAMPG-117](#) [MAF94383](#) [W3908B0100](#) [W6102B0100](#) [YE572113-30RSMM](#) [108-00014-50](#) [66089-2406](#) [A09-F8NF-M](#) [A09-F5NF-M](#) [RGFRA1903041A1T](#) [W3593B0100](#) [W3921B0100](#) [SIMNA-868](#) [SIMNA-915](#) [SIMNA-433](#) [W1044](#) [W1049B090](#) [A75-001](#) [WTL2449CQ1-FRSMM](#) [CPL9C](#) [EXB148BN](#) [0600-00060](#) [TRA9020S3PBN-001](#) [GD5W-28P-NF](#) [MA9-7N](#) [GD53-25](#) [GD5W-21P-NF](#) [EXB144SM](#) [C37](#) [MAF94051](#) [GD35-17P-NF](#) [P1744](#) [MA9-5N](#) [EXD420PL](#) [B1322NR](#) [QWFTB120](#) [MAF94271](#) [MAF94300](#) [GPSMB301](#) [FG4403](#) [AO-AGSM-OM54](#) [5200232](#) [MIKROE-2349](#) [WCM.01.0111](#) [MIKROE-2393](#)