

# GNSS - Automotive Grade Active External Puck Antenna



**AECW0401G4Z**

Request Samples



Check Inventory



Ø46.6 x 16.3 mm  
**RoHS/RoHS II Compliant**  
MSL Level = 1

## Features

- Automotive Grade Antenna
- Manufactured in Automotive Certified lines
  - IATF 16949 certified
  - ISO 9001 certified
- Level-3 PPAP available upon request
- GNSS/GPS/GLONASS/BeiDou/QZSS
- IP67 rated
- RHCP
- High LNA gain of 28 dB
- Easy installation using screw

## Applications

- IoT
- M2M
- Automotive Applications
- Geolocation Tracking
- Vehicle Tracking and Fleet Management
- Smart City
- Transportation
- Smart Agriculture

## Product Image



# GNSS - Automotive Grade Active External Puck Antenna



**AECW0401G4Z**

Request Samples



Check Inventory



Ø46.6 x 16.3 mm  
RoHS/RoHS II Compliant  
MSL Level = 1

## Part Number Builder

**AECW0401G4Z** -

Color / UV Coating	
Code	Description
<b>S</b> (Standard)	Black without UV coating
A	Black with UV Coating
B	White without UV Coating
C	White with UV Coating

Cable length in 'mm'	
Code	Description
<b>3000</b> (Standard)	3000 mm
Other Examples :	
0200	200 mm
2000	2000 mm

Cable Type & Connector Type		
Code	Cable Type	Connector Type
<b>S</b> (Standard)	RG-174	SMA (M)
A		FAKRA C (F)
B		RP-SMA (M)
C		SMB (M)
D		N-Type (M)
E		TNC (M)
F		BNC (M)
G		MCX (M)
H		MMCX (M)
I		FME (M)
J		FME (F)
K		SMA (M)
L		FAKRA C (F)
M	RP-SMA (M)	
N	SMB (M)	
O	N-Type (M)	
P	TNC (M)	
Q	BNC (M)	
R	MCX (M)	
T	MMCX (M)	
U	FME (M)	
V	FME (F)	

### Example Configurations :

Part Number	UV Protection Coating / Color	Cable length	Cable Type / Connector Type
AECW0401G4Z <b>S-3000S</b>	No / Black	3000 mm	RG-174 with SMA (M) (Standard)
AECW0401G4Z <b>A-1000A</b>	Yes / Black	1000 mm	RG-174 with FAKRA C (M)
AECW0401G4Z <b>B-5000O</b>	No / White	5000 mm	LMR-100 with N-Type (M)

### Note :

- For the standard part number (AECW0401G4Z), please refer to the packaging at the end of the document.
- For custom configurations (AECW0401G4Z--), MOQs, pricing and packaging changes may be applicable.



5101 Hidden Creek Ln Spicewood TX 78669  
Phone: 512-371-6159 | Fax: 512-351-8858  
For terms and conditions of sales, please visit:  
www.abracon.com

REVISED: 05-12-20

ABRACON IS  
ISO9001-2015  
CERTIFIED

# GNSS - Automotive Grade Active External Puck Antenna



**AECW0401G4Z**

Request Samples



Check Inventory



Ø46.6 x 16.3 mm  
**RoHS/RoHS II Compliant**  
 MSL Level = 1

## Electrical Specification

Parameter	Specification			Unit
	Min	Typ	Max	
Center Frequency	1561		1602	MHz
VSWR			1.5	
Gain (Zenith)			2.0	dBic
Axial Ratio			3.0	dB
Impedance	50			Ω
Polarization	RHCP			
<b>LNA</b>				
Gain	26	28	30	dB
Noise Figure			1.5	dB
VSWR			2.0	
Ex-band Attenuation	@CF + 50 MHz	12		dB
	@CF - 50 MHz	16		dB
Supply Voltage (DC)	2.2		5	V
Current Consumption	5		15	mA
<b>FILTER</b>				
Insertion Loss			3.0	dB

## Mechanical Specification

Parameter	Specification
Antenna Dimension	Ø46.6 x 16.3 mm
Radome Material	ABS
Mounting Type	Screw
RF Connector	SMA (M)
RF Cable	RG-174
Cable Length	3 m

# GNSS - Automotive Grade Active External Puck Antenna



**AECW0401G4Z**

Request Samples



Check Inventory

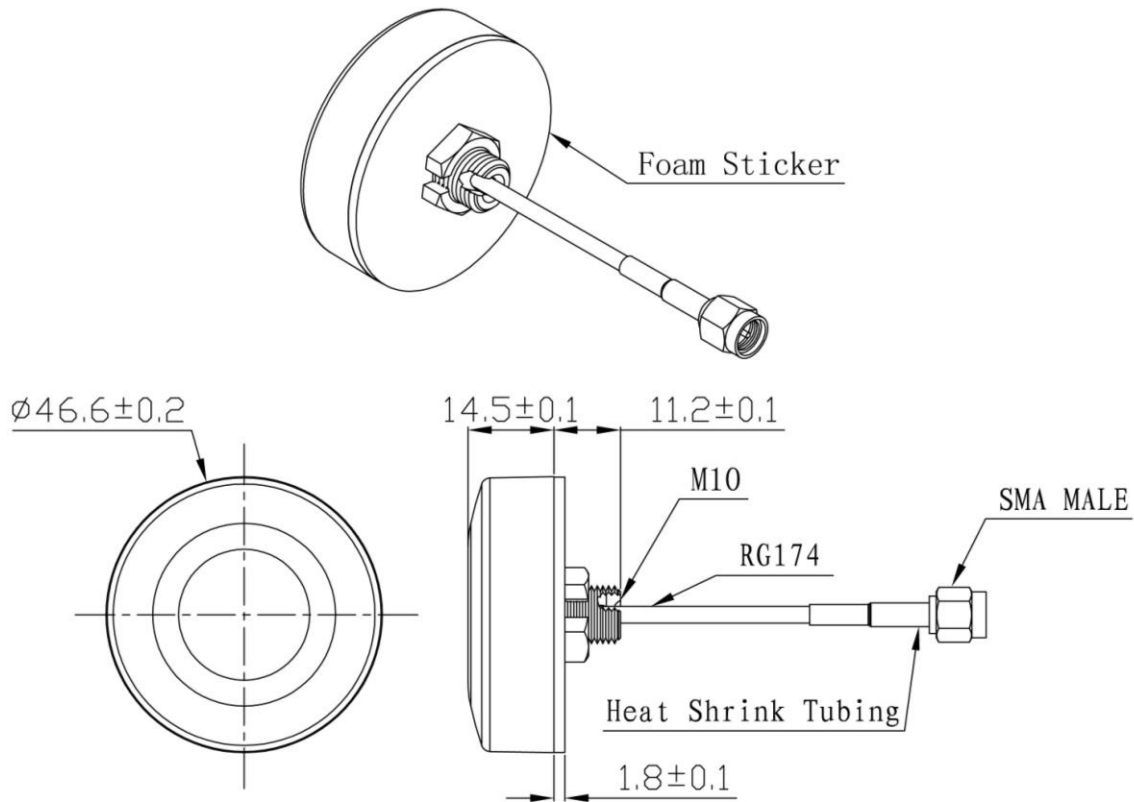


Ø46.6 x 16.3 mm  
**RoHS/RoHS II Compliant**  
 MSL Level = 1

## Environmental Specification

Parameter	Specification
Operating Temperature	-40°C to +85°C
Storage Temperature	-40°C to +85°C
Relative Humidity	Up to 95%
RoHS Compliance	Yes
PB Free	Yes
MSL	1
ESD Sensitive	Yes
Vibration	10 ~ 55 Hz with 1.5 mm amplitude 2 hrs
UL rating	UL-HB
Ingress Protection	IP67 (excluding cable outlet)

## Product Dimension



Unit: mm



5101 Hidden Creek Ln Spicewood TX 78669  
 Phone: 512-371-6159 | Fax: 512-351-8858  
 For terms and conditions of sales, please visit:  
[www.abracon.com](http://www.abracon.com)

REVISED: 05-12-20

ABRACON IS  
 ISO9001-2015  
 CERTIFIED

# GNSS - Automotive Grade Active External Puck Antenna



AECW0401G4Z

Request Samples

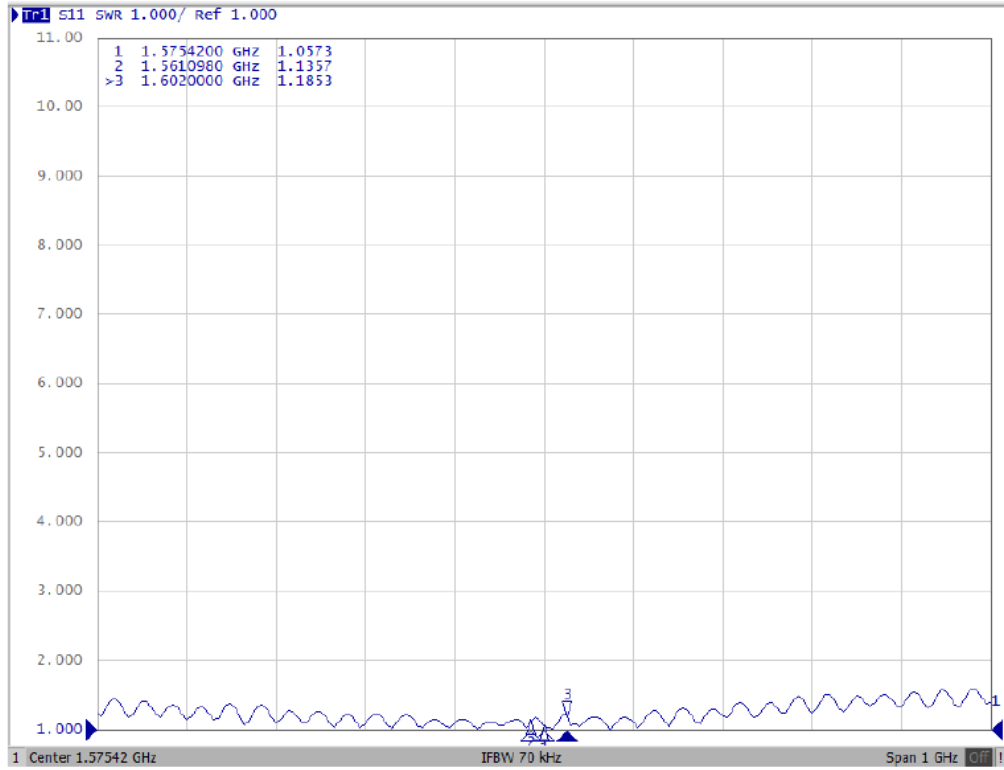


Check Inventory



Ø46.6 x 16.3 mm  
RoHS/RoHS II Compliant  
MSL Level = 1

## Test Measurement - VSWR



# GNSS - Automotive Grade Active External Puck Antenna



AECW0401G4Z

Request Samples



Check Inventory

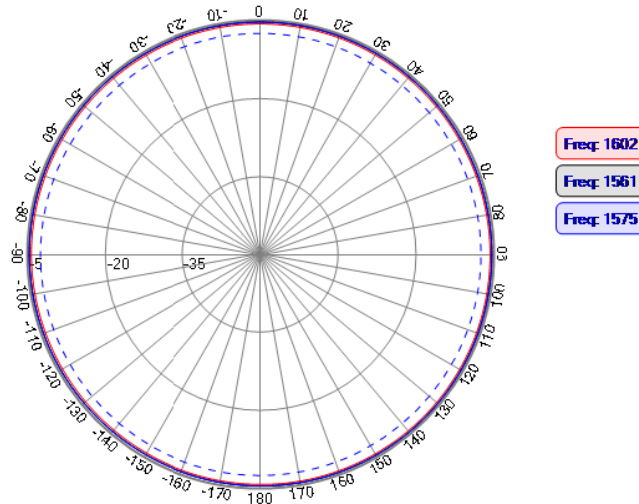


Ø46.6 x 16.3 mm  
RoHS/RoHS II Compliant  
MSL Level = 1

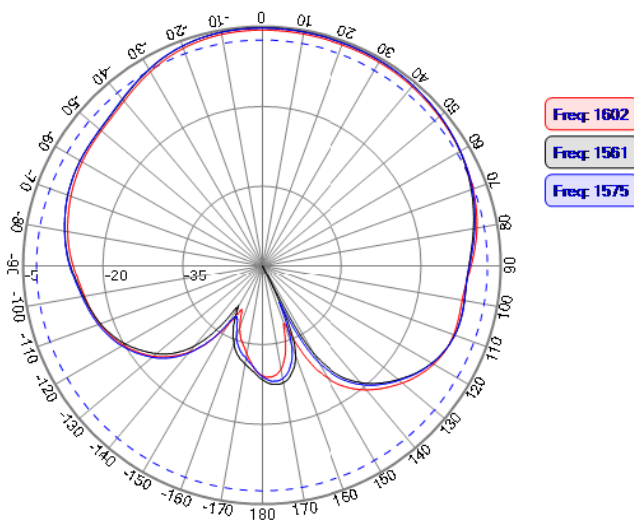
## Radiation Characteristics

### 2D Pattern

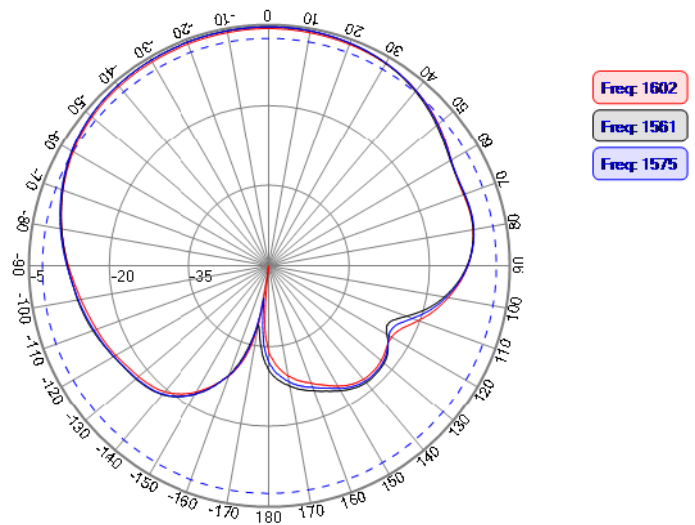
#### XY - Plane



#### XZ - Plane



#### YZ - Plane



5101 Hidden Creek Ln Spicewood TX 78669  
Phone: 512-371-6159 | Fax: 512-351-8858  
For terms and conditions of sales, please visit:  
www.abracon.com

REVISED: 05-12-20

ABRACON IS  
ISO9001-2015  
CERTIFIED

# GNSS - Automotive Grade Active External Puck Antenna



AECW0401G4Z

Request Samples



Check Inventory



Ø46.6 x 16.3 mm  
RoHS/RoHS II Compliant  
MSL Level = 1

## Packaging Information

Number of Antenna/ Carton : 100 pcs  
Weight of 1 pc of the antenna : 100 g  
Dimension of the Carton : 490 x 230 x 270 mm  
Weight of the Carton : 11 kg

**ATTENTION:** Abracon LLC's products are COTS – Commercial-Off-The-Shelf products; suitable for Commercial, Industrial and, where designated, Automotive Applications. Abracon's products are not specifically designed for Military, Aviation, Aerospace, Life-dependent Medical applications or any application requiring high reliability where component failure could result in loss of life and/or property. For applications requiring high reliability and/or presenting an extreme operating environment, written consent and authorization from Abracon LLC is required. Please contact Abracon LLC for more information.



5101 Hidden Creek Ln Spicewood TX 78669  
Phone: 512-371-6159 | Fax: 512-351-8858  
For terms and conditions of sales, please visit:  
[www.abracon.com](http://www.abracon.com)

REVISED: 05-12-20

ABRACON IS  
ISO9001-2015  
CERTIFIED

## X-ON Electronics

Largest Supplier of Electrical and Electronic Components

*Click to view similar products for [Antennas](#) category:*

*Click to view products by [Abracon](#) manufacturer:*

Other Similar products are found below :

[GAN30084EU](#) [930-033-R](#) [GW17.07.0250E](#) [1513563-1](#) [EXE902SM](#) [APAMPG-117](#) [MAF94383](#) [W3908B0100](#) [W6102B0100](#) [YE572113-30RSMM](#) [108-00014-50](#) [66089-2406](#) [A09-F8NF-M](#) [A09-F5NF-M](#) [RGFRA1903041A1T](#) [W3593B0100](#) [W3921B0100](#) [SIMNA-868](#) [SIMNA-915](#) [SIMNA-433](#) [W1044](#) [W1049B090](#) [A75-001](#) [WTL2449CQ1-FRSMM](#) [CPL9C](#) [EXB148BN](#) [0600-00060](#) [TRA9020S3PBN-001](#) [GD5W-28P-NF](#) [MA9-7N](#) [GD53-25](#) [GD5W-21P-NF](#) [EXB144SM](#) [C37](#) [MAF94051](#) [GD35-17P-NF](#) [P1744](#) [MA9-5N](#) [EXD420PL](#) [B1322NR](#) [QWFTB120](#) [MAF94271](#) [MAF94300](#) [GPSMB301](#) [FG4403](#) [AO-AGSM-OM54](#) [5200232](#) [MIKROE-2349](#) [WCM.01.0111](#) [MIKROE-2393](#)