

3-Terminal EMI Filter

AEMIF-0603



RoHS/RoHS II Compliant



1.6 x 0.8 x 0.6mm

FEATURES:

- Multilayer and low profile structure enables high density mounting
- Closed magnetic circuit minimizes crosstalk
- Sharp attenuation characteristic beyond cutoff frequency achieves excellent EMI suppression

APPLICATIONS:

- Noise removal from signal lines in digital cameras, computers, game consoles, LED TVs, etc.
- Suppression of noise generated by high speed digital circuits such as clock lines

STANDARD SPECIFICATIONS:

Operating Temperature
-40°C to +85°C

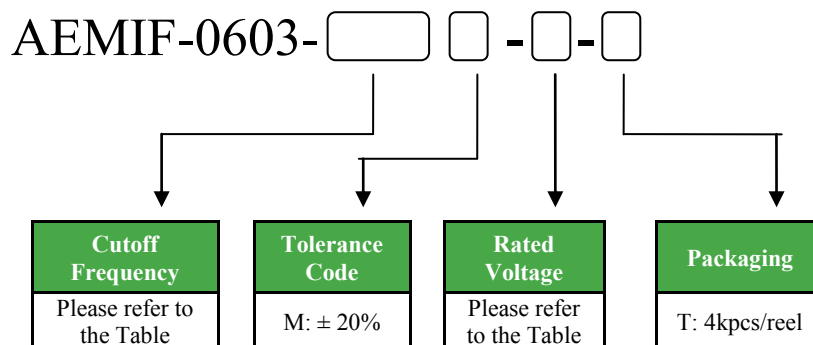
Storage Temperature
-10°C to +40°C, 70% RH max. in tape and reel

Part Number	-3dB Cut-off Frequency	Cut-off Frequency Tolerance	Rated Voltage	Rated Current	Min. Insulation Resistance	Max. DC Resistance	Attenuation
Units	MHz	%	V	mA	MΩ	Ω	dB
AEMIF-0603-401M-16	400	M	16	300	200	0.8	20.0 dB min. at 800-2000 MHz

Test Equipment

Items	Test Equipment
Cut off Frequency	HP8753E or equivalent
DC Resistance	HP4338 or equivalent
Insulation Resistance	TH2682 or equivalent
Attenuation	HP8753E or equivalent

PART NUMBER IDENTIFICATION



3-Terminal EMI Filter

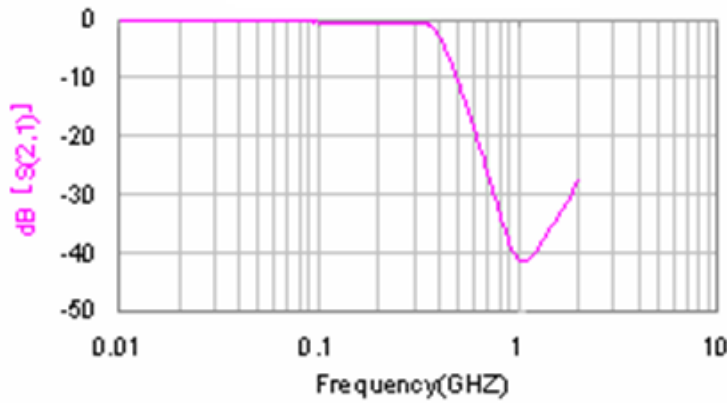
AEMIF-0603

 RoHS/RoHS II Compliant

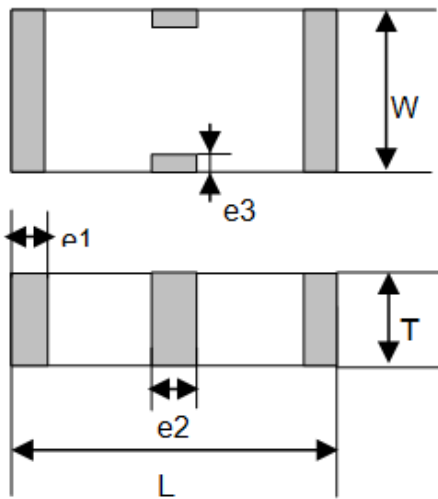


1.6 x 0.8 x 0.6mm

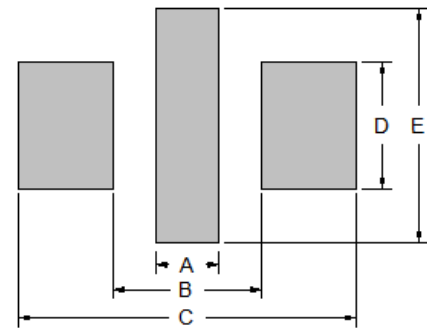
FREQUENCY CHARACTERISTIC



OUTLINE DIMENSION:



Recommended Land Pattern

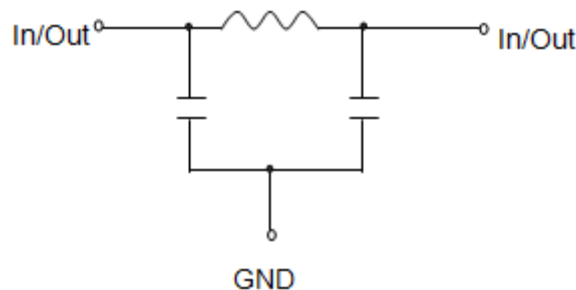


L	W	T	e1	e2	e3
1.6±0.2	0.8±0.2	0.6±0.2	0.2±0.15	0.4±0.2	0.2±0.15

A	B	C	D	E
0.4	1.0	2.2	0.6	1.5

Dimension: mm

EQUIVALENT CIRCUIT:



No polarity

3-Terminal EMI Filter

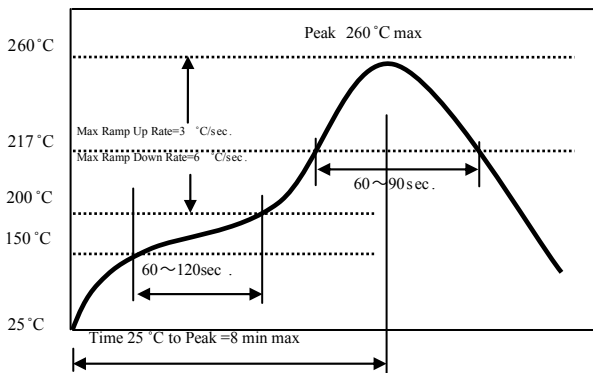
AEMIF-0603

 RoHS/RoHS II Compliant



1.6 x 0.8 x 0.6mm

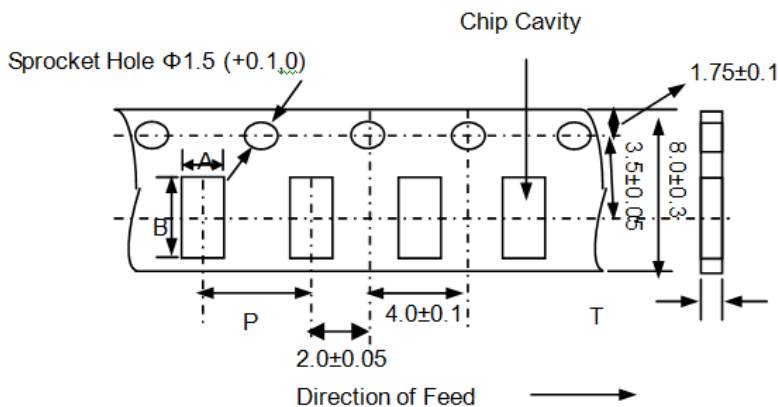
REFLOW PROFILE:



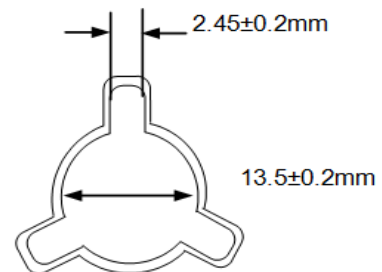
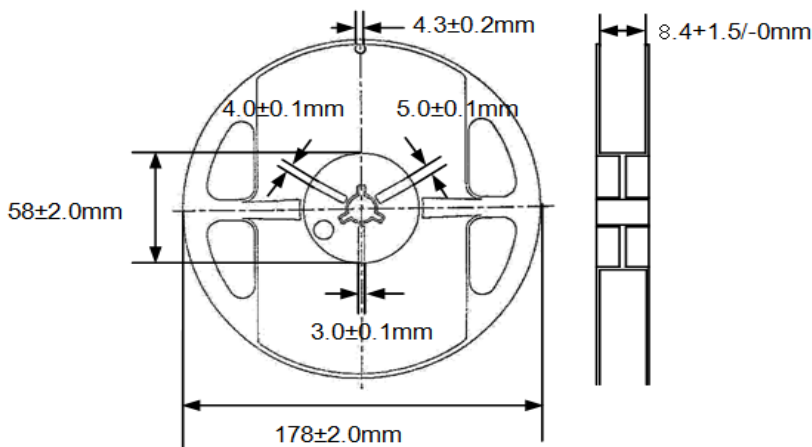
- Preheat condition: 150 ~200°C/60~120sec.
- Allowed time above 217 °C: 60~90sec.
- Max temp: 260 °C
- Max time at max temp: 10sec.
- Solder paste: Sn/3.0Ag/0.5Cu
- Allowed Reflow time: 2x max

TAPE & REEL

T= tape and reel (4,000pcs/reel)



A	B	P	T max
1.0	1.80	4.0	0.75



Dimension: mm

ATTENTION: Abracon Corporation's products are COTS – Commercial-Off-The-Shelf products; suitable for Commercial, Industrial and, where designated, Automotive Applications. Abracon's products are not specifically designed for Military, Aviation, Aerospace, Life-dependant Medical applications or any application requiring high reliability where component failure could result in loss of life and/or property. For applications requiring high reliability and/or presenting an extreme operating environment, written consent and authorization from Abracon Corporation is required. Please contact Abracon Corporation for more information.

ABRACON IS
ISO 9001:2008
CERTIFIED



Visit www.abracon.com for Terms & Conditions of Sale **Revised: 07.25.14**
30332 Esperanza, Rancho Santa Margarita, California 92688
tel 949-546-8000 | fax 949-546-800 | www.abracon.com

X-ON Electronics

Largest Supplier of Electrical and Electronic Components

Click to view similar products for [Feed Through Capacitors](#) category:

Click to view products by [ABRACON](#) manufacturer:

Other Similar products are found below :

[PSM4-402Z-20B](#) [CKD110JB1E470S](#) [CKD510JB1E473S](#) [CKD510JB1H221S](#) [CKD510JB1H470S](#) [4700-003MLF](#) [4700-053LF](#) [4701-001MLF](#) [4701-002MLF](#) [SSM1-402E-10B](#) [SSM1-501P-10T1](#) [SSM1-402E-10T1](#) [SSM1-152P-05T1](#) [4700-009MLF](#) [SSM1-101Z-05B](#) [SSM1F-402E-10T1](#) [SSM1-202P-05T1](#) [0805J0500471MATE03](#) [PSM4-103Z-20T0](#) [0805J1000470MATE03](#) [SF0603C101SBNBB](#) [PSM4F-402Z-20T0](#) [CX0603MRX7R6BB104](#) [CX1206MKX7R9BB104](#) [CX0603MRX7R9BB103](#) [YFF15PC0J105MT000N](#) [NFM15CC222D1A3D](#) [NFM15CC223C1C3D](#) [NFM15CC223C1A3D](#) [NFM18PC225B1A3D](#) [CX0603MRX5R6BB224](#) [CX0603MRX7R9BB103](#) [CX0805MRX7R0BB103](#) [CX0805MRX7R8BB223](#) [CX1206MKX7R7BB224](#) [CX1206MKX7R9BB104](#) [NFM31HK104R1H3L](#) [NFM31HK223R1H3L](#) [NFM15PC224R1A3D](#) [DSS1NB32A223Q91A](#) [DSS1NB31H104Q91A](#) [NFE31PT101C1E9L](#) [NFE31PT220R1E9L](#) [NFE61PT330B1H9L](#) [NFE61PT681B1H9L](#) [NFM31KC104R1H3L](#) [NFM41CC223R2A3L](#) [DSS1NB32A103Q91A](#) [DSS1NB32A102Q91A](#) [NFE31PT471F1E9L](#)