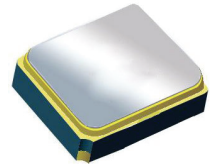


Surface Mount 1591.5 MHz SAW Filter



1.4 x 1.1 x 0.7 mm

AFS14A35-1591.5-T3

Moisture Sensitivity Level (MSL) – This product is Hermetically Sealed and not Moisture Sensitive - MSL = N/A: Not Applicable



**RoHS
Compliant**

FEATURES:

- 1.4 x 1.1 x 0.7 mm low profile SMT package
- Low Insertion loss
- Excellent selectivity with high out-of-band rejection

APPLICATIONS:

- Wireless Communication
- Remote Control
- Cellular Phones

ELECTRICAL SPECIFICATIONS:

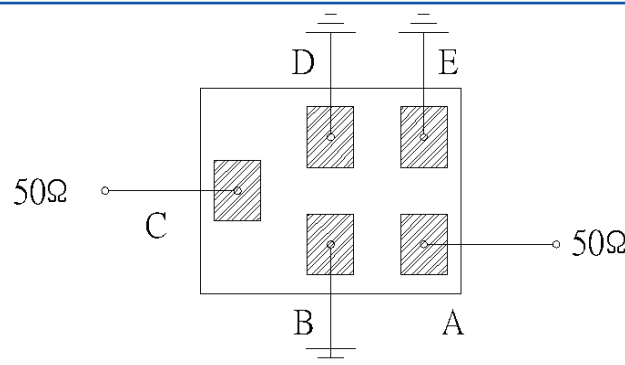
Maximum Ratings

Item	Value
Input Power Level	+10 dBm max.
DC Permissive Voltage	3.0V DC max.
Operating Temperature Range	-40°C to + 85°C
Storage Temperature Range	-40°C to + 85°C

Parameters	Minimum	Typical	Maximum	Units	Notes
Center Frequency (f_c)		1591.5		MHz	
Insertion Loss (IL)		2.4	3.7	dB	1574~1609 MHz
Effective Bandwidth		35		MHz	
Amplitude Ripple		1.3	2.6	dB	1574~1609 MHz
Worst-Case Input / Output Return Loss	7.7	9.5		dB	1574~1609 MHz
Group Delay Variation		17	50	ns	1574~1609 MHz
Stop-band Attenuation (Referenced to 0.0 dB)	28	34		dB	10 ~1200 MHz
	28	34			1200~1450 MHz
	20	37			1450~1540 MHz
	9	31			1626~1710 MHz
	30	37			1710~2000 MHz
	30	37			2000~2500 MHz
Temperature Coefficient of frequency		-36		ppm/°C	
Source Impedance (Z_S)		50		Ω	See note # 1
Load Impedance (Z_L)		50		Ω	See note # 1

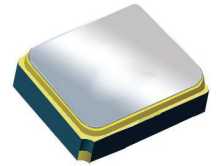
Note #1: No matching network required for operation into 50 Ω 's

TEST CIRCUIT:



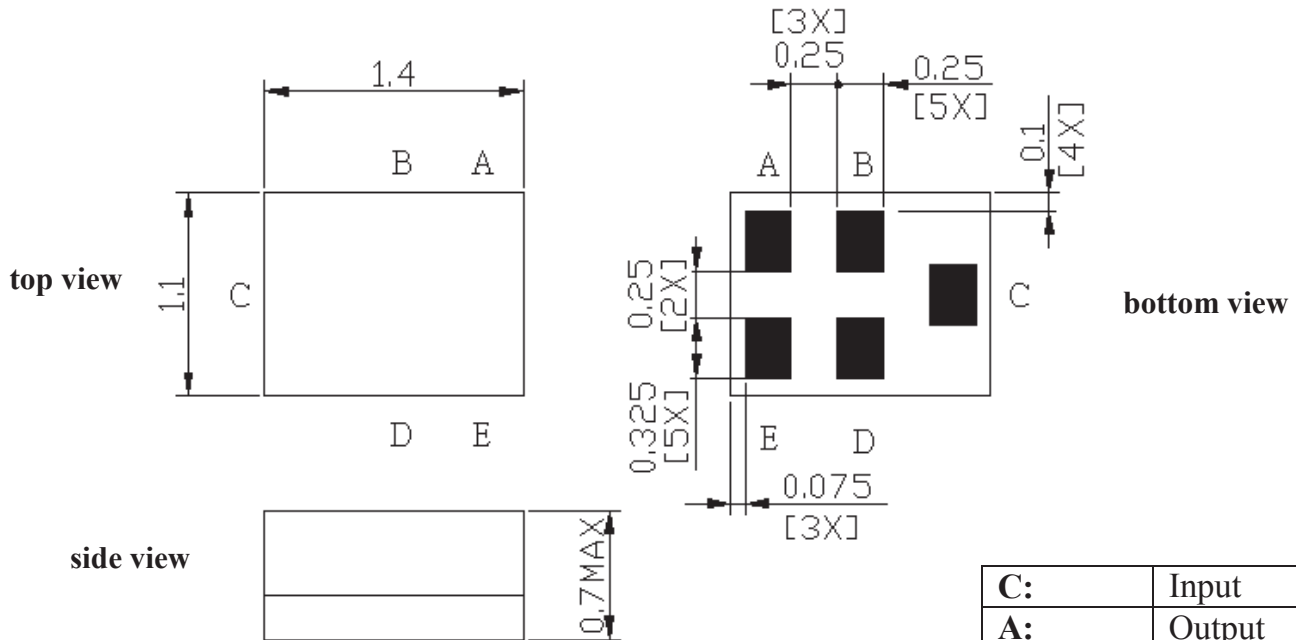
Surface Mount 1591.5 MHz SAW Filter

AFS14A35-1591.5-T3



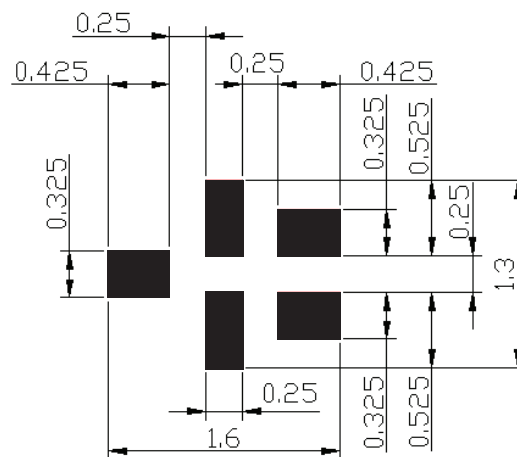
1.4 x 1.1 x 0.7 mm

OUTLINE DIMENSIONS:



C:	Input
A:	Output
B, D, E:	Ground

Recommended Land Pattern:



■ : Land Pattern

Unit : mm

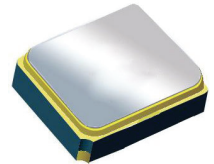
*All Dimensions are in mm

Surface Mount 1591.5 MHz SAW Filter

AFS14A35-1591.5-T3



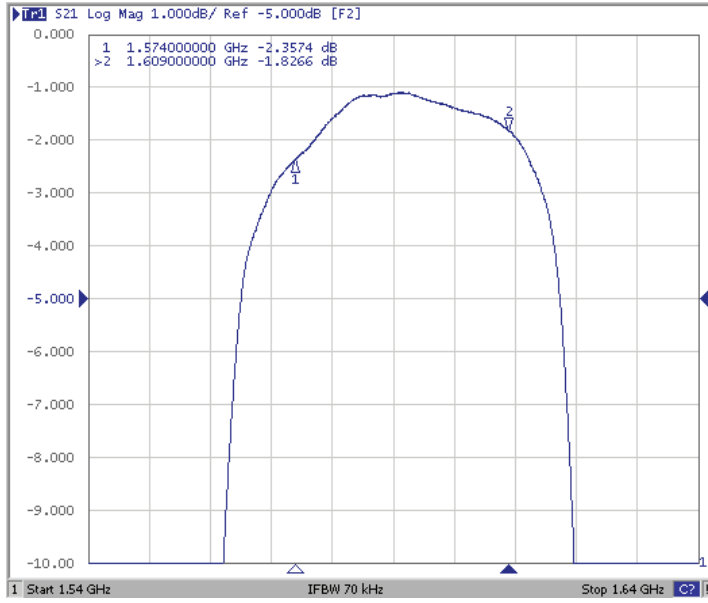
RoHS
Compliant



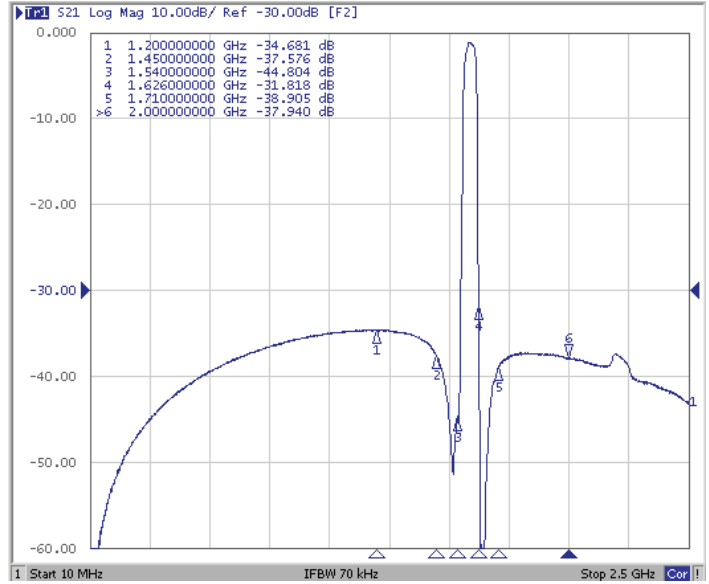
1.4 x 1.1 x 0.7 mm

FREQUENCY CHARACTERISTICS:

Filter Frequency Response (Narrowband)

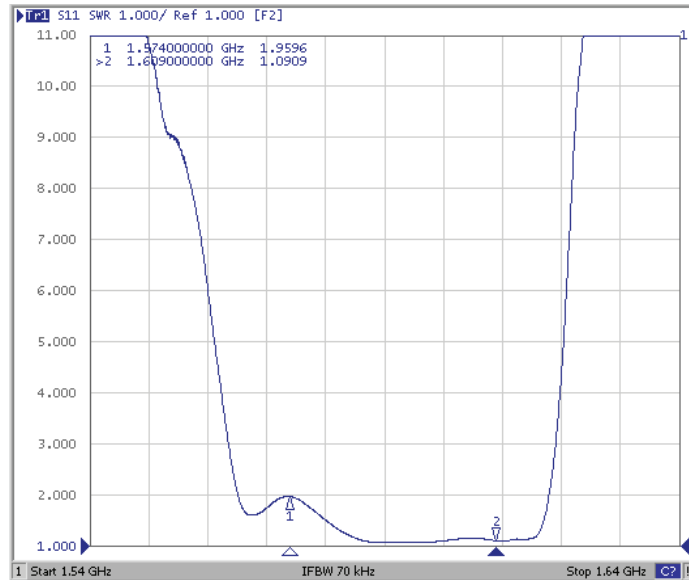


Filter Frequency Response (Wideband)

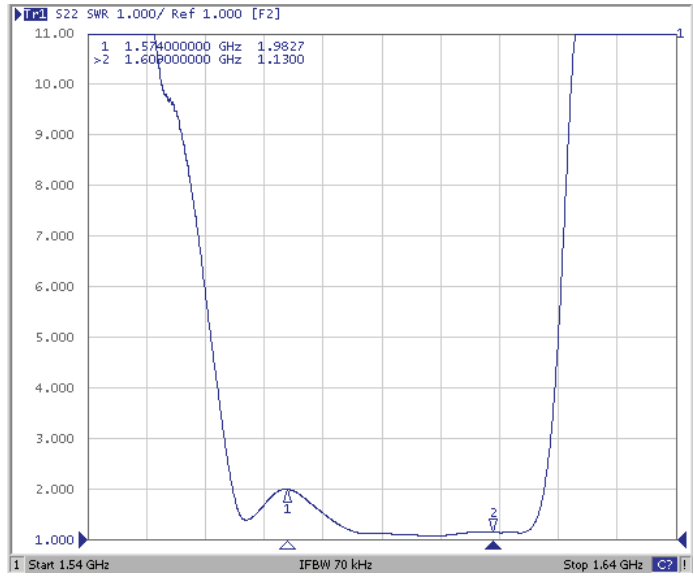


REFLECTION FUNCTIONS:

S11



S22

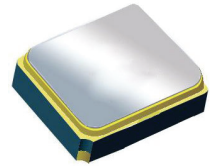


Surface Mount 1591.5 MHz SAW Filter

AFS14A35-1591.5-T3

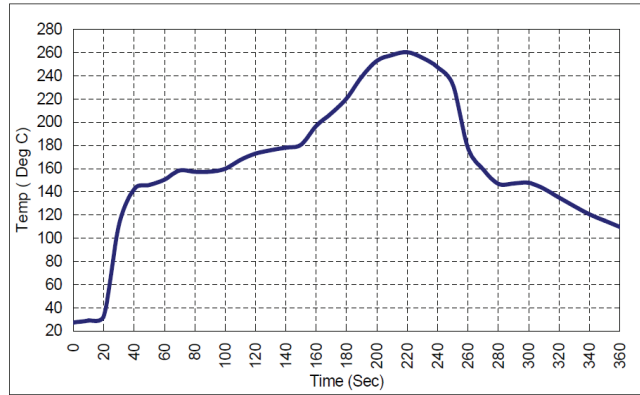


RoHS
Compliant



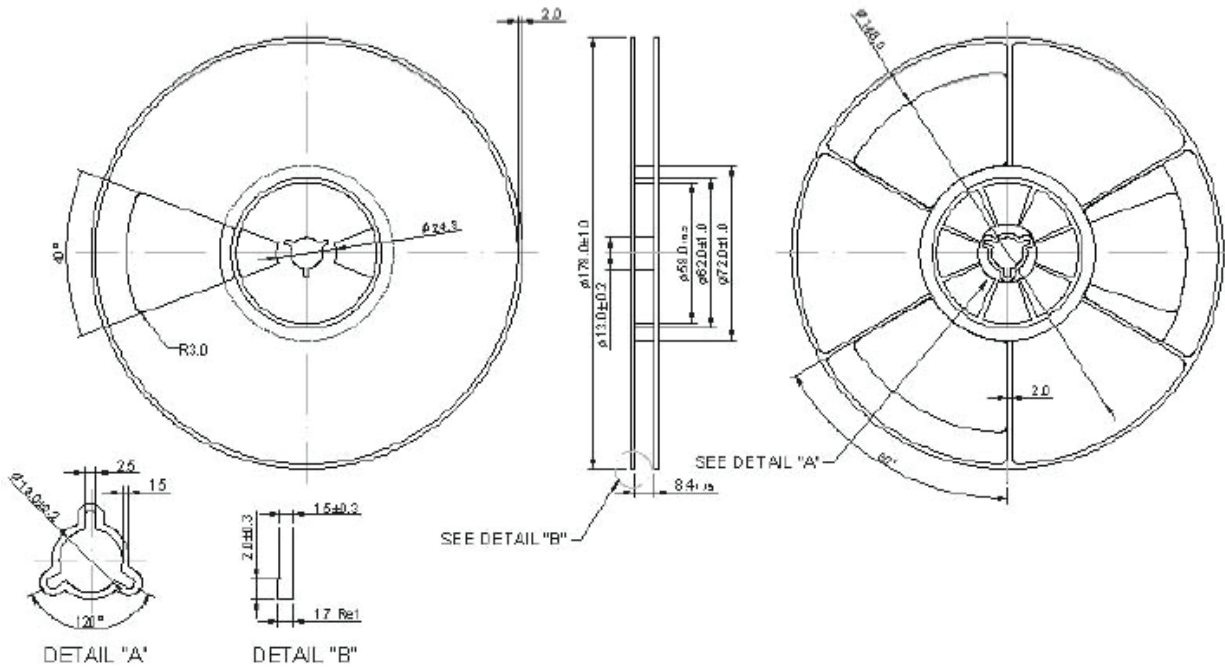
1.4 x 1.1 x 0.7 mm

REFLOW PROFILE:



PACKAGING: 3000 Units/Reel

Reel Count : 7" = 3k units



ATTENTION: Abracon Corporation's products are COTS – Commercial-Off-The-Shelf products; suitable for Commercial, Industrial and, where designated, Automotive Applications. Abracon's products are not specifically designed for Military, Aviation, Aerospace, Life-dependant Medical applications or any application requiring high reliability where component failure could result in loss of life and/or property. For applications requiring high reliability and/or presenting an extreme operating environment, written consent and authorization from Abracon Corporation is required. Please contact Abracon Corporation for more information.

ABRACON IS
ISO 9001:2008
CERTIFIED



Visit www.abracon.com for Terms & Conditions of Sale
30332 Esperanza, Rancho Santa Margarita, California 92688
tel 949-546-8000 | fax 949-546-8001 | www.abracon.com

Revised: 01.22.13

X-ON Electronics

Largest Supplier of Electrical and Electronic Components

Click to view similar products for [Signal Conditioning](#) category:

Click to view products by [ABRACON](#) manufacturer:

Other Similar products are found below :

[MAPDCC0001](#) [MAPDCC0004](#) [PD0409J5050S2HF](#) [880157](#) [HHS-109-PIN](#) [DC1417J5005AHF](#) [AFS14A30-2185.00-T3](#) [AFS14A35-1591.50-T3](#) [DS-323-PIN](#) [B39321R801H210](#) [1A0220-3](#) [JP510S](#) [LFB212G45SG8C341](#) [LFB322G45SN1A504](#) [LFL182G45TC3B746](#) [SF2159E](#) [30057](#) [FM-104-PIN](#) [CER0813B](#) [MAPDCC0005](#) [3A325](#) [40287](#) [41180](#) [ATB3225-75032NCT](#) [C5060J5003AHF](#) [JHS-115-PIN](#) [JP503AS](#) [DC0710J5005AHF](#) [DC2327J5005AHF](#) [DC3338J5005AHF](#) [43020](#) [LFB2H2G60BB1C106](#) [LFL15869MTC1B787](#) [X3C19F1-20S](#) [XC3500P-20S](#) [10013-20](#) [SF2194E](#) [CDBLB455KCAX39-B0](#) [TGL2208-SM, EVAL](#) [RF1353C](#) [1E1305-3](#) [1F1304-3S](#) [1G1304-30](#) [B0922J7575AHF](#) [2020-6622-20](#) [10017-3](#) [TP-102-PIN](#) [TP-103-PIN](#) [BD1222J50200AHF](#) [BD1722J50100AHF](#)