

ECN/PCN No.: R0049

For Manufacturer			
<b>Product Description:</b> SMD 303.825MHz SAW Filter	<b>Abracon Part Number / Part Series:</b> AFS303.825E	<input type="checkbox"/> Documentation only <input type="checkbox"/> ECN <input checked="" type="checkbox"/> EOL	<input type="checkbox"/> Series <input checked="" type="checkbox"/> Part Number
<b>Affected Revision:</b> D	<b>New Revision:</b> EOL	<b>Application:</b>	<input type="checkbox"/> Safety <input checked="" type="checkbox"/> Non-Safety
<b>Prior to Change:</b>  N/A			
<b>After Change:</b>  EOL			
<b>Cause/Reason for Change:</b> Due to low demand this part is discontinued.			
Change Plan			
<b>Effective Date:</b> 06/28/2021	<b>Additional Remarks:</b> N/A		
<b>Change Declaration:</b> EOL			
<b>Issued Date:</b> 06/28/2021	<b>Issued By:</b> <i>Nicholas El-Takach</i>	<b>Issued Department:</b> Engineering	
<b>Approval:</b> <i>Syed Raza</i> Engineering VP	<b>Approval:</b> <i>Reuben Quintanilla</i> Quality Director	<b>Approval:</b> <i>Ying Huang</i> Purchasing Director	
For Abracon EOL only			
<b>Last Time Buy (if applicable):</b> No last time buy.	<b>Alternate Part Number / Part Series:</b> N/A		
<b>Additional Approval:</b>	<b>Additional Approval:</b>	<b>Additional Approval:</b>	
Customer Approval (If Applicable)			
<b>Qualification Status:</b> <div style="text-align: center;"><input type="checkbox"/> Approved <input type="checkbox"/> Not accepted</div> <i>Note: It is considered approved if there is no feedback from the customer 1 month after ECN/PCN is released.</i>			
<b>Customer Part Number:</b>		<b>Customer Project:</b>	
<b>Company Name:</b>	<b>Company Representative:</b>	<b>Representative Signature:</b>	
<b>Customer Remarks:</b>			



5.0 x 5.0 x 1.35 mm

## AFS303.825E

RoHS/RoHS II Compliant

### Moisture Sensitivity Level – MSL 1

#### FEATURES:

- Low Insertion Loss 3.0dB typical
- Compact SMD package 5.0 x 5.0 x 1.35mm
- Suitable for RoHS compliant reflow

#### APPLICATIONS:

- Automotive Electronics/Remote Control

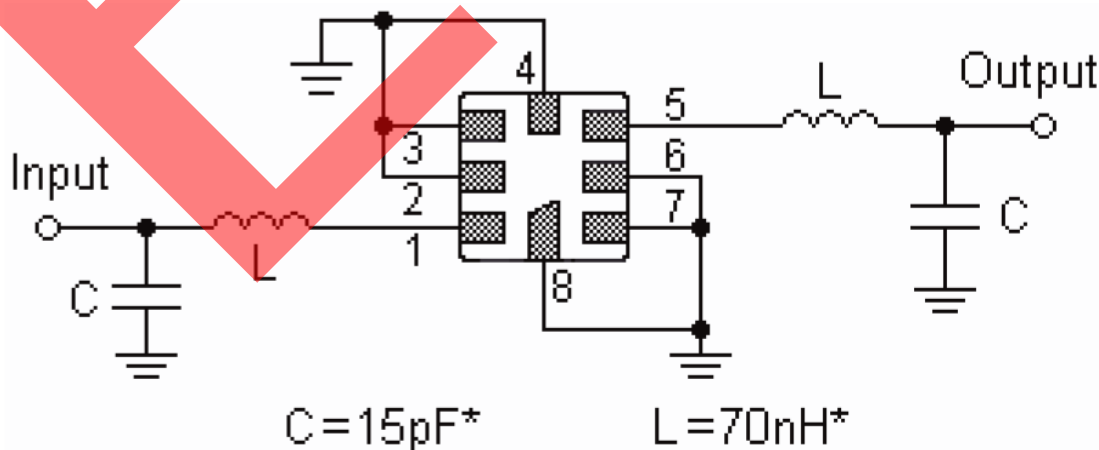
#### STANDARD SPECIFICATIONS:

##### Maximum Ratings

Item	Value
Operating Temperature Range	-10°C to +60°C
Storage Temperature Range	-40°C to +85°C
DC Voltage	12V
Input Power Level	10dBm

Parameters		Minimum	Typical	Maximum	Units	Notes
Center Frequency ( $f_c$ )			303.825		MHz	
3dB Pass Band ( $BW_3$ )			600	900	kHz	
Insertion Loss (IL)			3.0	4.5	dB	
Rejection		40	50		dB	at 282.425 MHz (Image)
		20	30			at 293.125 (LO)
			60			Ultimate
Temperature	Turnover Temperature ( $T_o$ )	25		55	°C	
	Turnover Frequency ( $f_o$ )		303.825		MHz	
	Frequency Temperature Coefficient (FTC)		0.032		ppm/°C <sup>2</sup>	
Frequency Aging [fA]			10		ppm/yr	Absolute value during the first year

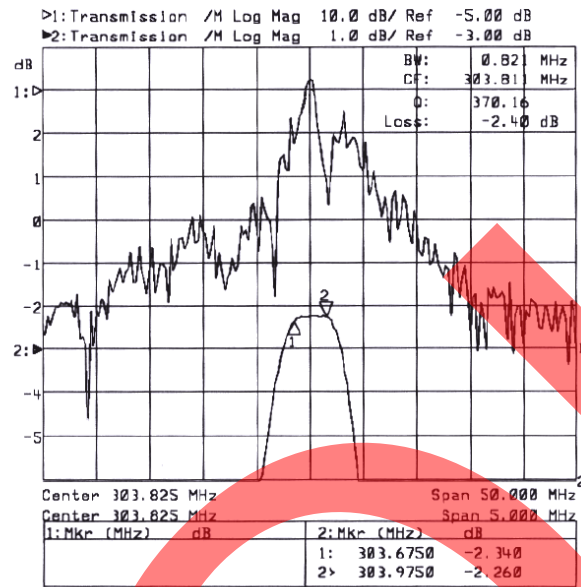
#### TEST CIRCUIT:



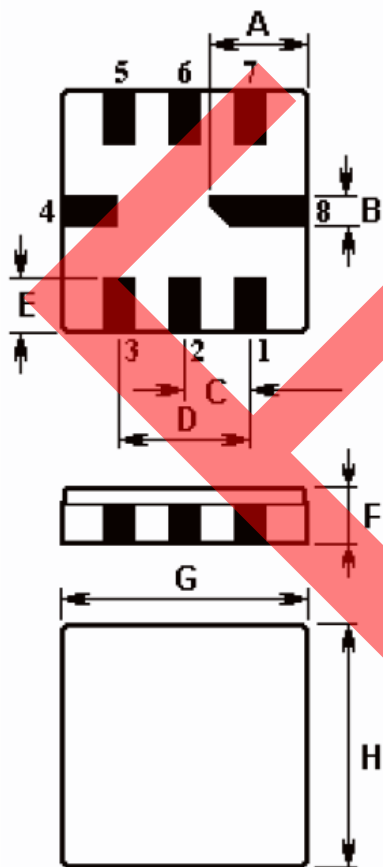


5.0 x 5.0 x 1.35 mm

### FREQUENCY CHARACTERISTICS



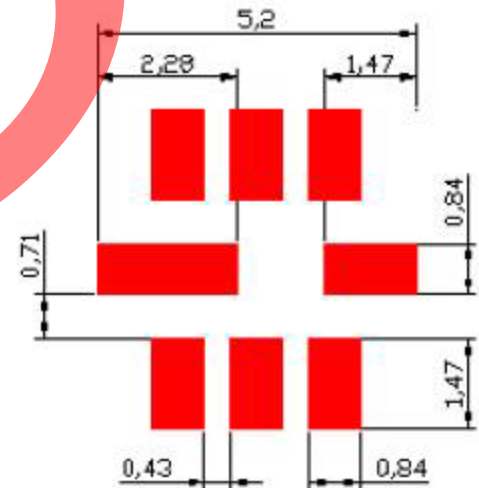
### OUTLINE DIMENSION:



<b>A</b>	<b>2.08</b>
<b>B</b>	<b>0.60</b>
<b>C</b>	<b>1.27</b>
<b>D</b>	<b>2.54</b>
<b>E</b>	<b>1.20</b>
<b>F</b>	<b>1.35</b>
<b>G</b>	<b>5.00</b>
<b>H</b>	<b>5.00</b>

<b>1</b>	<b>Input</b>
<b>2</b>	<b>Input Ground</b>
<b>5</b>	<b>Output</b>
<b>6</b>	<b>Output Ground</b>
<b>3, 7</b>	<b>to be Grounded</b>
<b>4, 8</b>	<b>Case Ground</b>

### Recommended PCB Layout

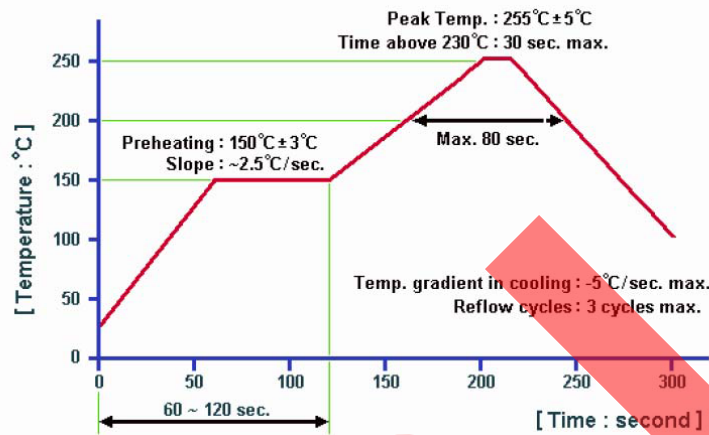


Dimensions: mm



5.0 x 5.0 x 1.35 mm

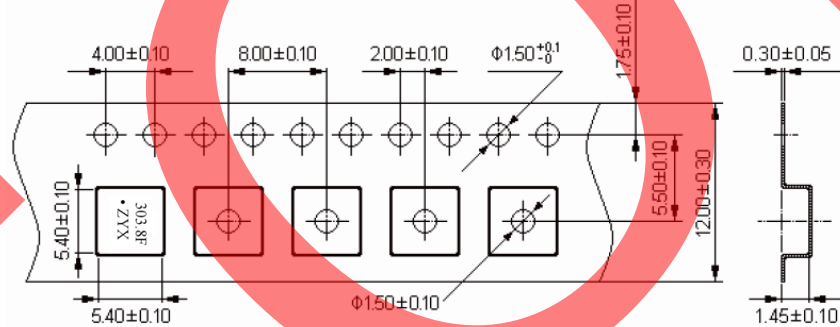
### REFLOW PROFILE:



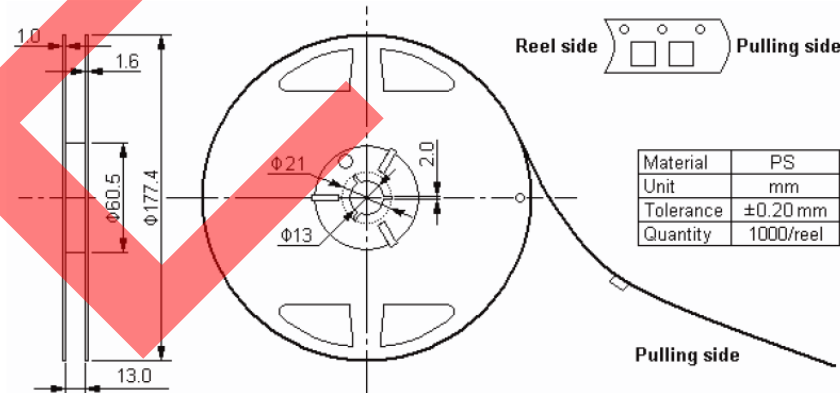
### TAPE & REEL:

**Packaging: 1,000pcs/reel**

#### Carrier Tape



#### Reel Dimensions



**Dimensions: mm**

**ATTENTION:** Abracon Corporation's products are COTS – Commercial-Off-The-Shelf products; suitable for Commercial, Industrial and, where designated, Automotive Applications. Abracon's products are not specifically designed for Military, Aviation, Aerospace, Life-dependant Medical applications or any application requiring high reliability where component failure could result in loss of life and/or property. For applications requiring high reliability and/or presenting an extreme operating environment, written consent and authorization from Abracon Corporation is required. Please contact Abracon Corporation for more information.

## X-ON Electronics

Largest Supplier of Electrical and Electronic Components

*Click to view similar products for [Signal Conditioning](#) category:*

*Click to view products by [ABRACON](#) manufacturer:*

Other Similar products are found below :

[MAPDCC0001](#) [MAPDCC0004](#) [PD0409J5050S2HF](#) [880157](#) [HHS-109-PIN](#) [DC1417J5005AHF](#) [AFS14A30-2185.00-T3](#) [AFS14A35-1591.50-T3](#) [DS-323-PIN](#) [B39321R801H210](#) [1A0220-3](#) [JP510S](#) [LFB212G45SG8C341](#) [LFB322G45SN1A504](#) [LFL182G45TC3B746](#) [SF2159E](#) [30057](#) [FM-104-PIN](#) [CER0813B](#) [MAPDCC0005](#) [3A325](#) [40287](#) [41180](#) [ATB3225-75032NCT](#) [BD0810N50100AHF](#) [C5060J5003AHF](#) [JHS-115-PIN](#) [JP503AS](#) [DC0710J5005AHF](#) [DC2327J5005AHF](#) [DC3338J5005AHF](#) [43020](#) [LFB2H2G60BB1C106](#) [LFL15869MTC1B787](#) [X3C19F1-20S](#) [XC3500P-20S](#) [10013-20](#) [SF2194E](#) [CDBLB455KCAX39-B0](#) [TGL2208-SM, EVAL](#) [RF1353C](#) [1E1305-3](#) [1F1304-3S](#) [1G1304-30](#) [B0922J7575AHF](#) [2020-6622-20](#) [10017-3](#) [TP-103-PIN](#) [BD1222J50200AHF](#) [BD1722J50100AHF](#)