

SMD 315.0MHz SAW Filter

AFS315E

Moisture Sensitivity Level (MSL) = 1



RoHS / RoHS II Compliant



5.0 x 5.0 x 1.35 mm

FEATURES:

- Low Insertion Loss 3.0dB typical
- Compact SMD package 5.0 x 5.0 x 1.35mm
- Suitable for RoHS compliant reflow

APPLICATIONS:

- Wireless car alarm, Garage door opener, RKE
- Mobile Communications systems
- Remote controller
- RF receiver

STANDARD SPECIFICATIONS:

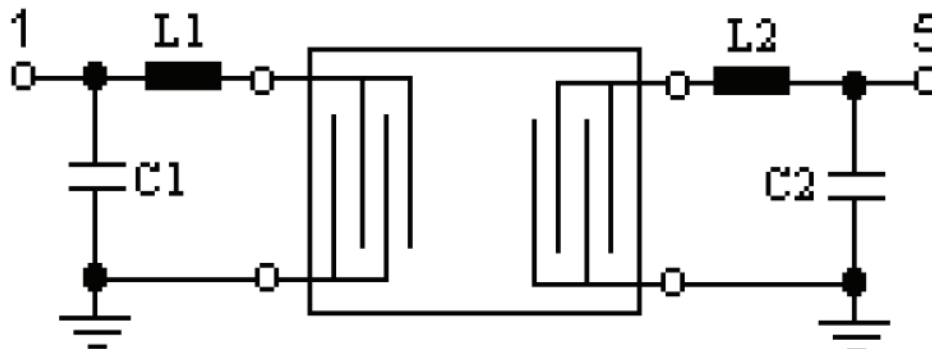
Maximum Ratings

Item	Value
Operating Temperature Range	-35°C to +85°C
Storage Temperature Range	-40°C to +85°C
DC Voltage	12V
Input Power Level	10dBm

Electrical Characteristics

Parameters	Minimum	Typical	Maximum	Units	Notes
Center Frequency (F _c)		315.0		MHz	
Insertion Loss (IL)		3.0	5.5	dB	
3dB Bandwidth		600		kHz	
Rejection	F _c – 21.4MHz	40	50	dB	
	F _c – 10.7MHz	15	30		
	Ultimate		80		
Temperature	Turnover Temperature (T _o)	24	39	54	°C
	Turnover Frequency (F _o)		F _c		MHz
	Frequency Temperature Coefficient (FTC)		0.032		ppm/°C
Frequency Aging F _A		10		ppm/yr	

TEST CIRCUIT



$$C1 = 13\text{pF}, L1 = 80\text{nH}, L2 = 80\text{nH}, C2 = 13\text{pF}$$



SMD 315.0MHz SAW Filter

AFS315E

Moisture Sensitivity Level (MSL) = 1

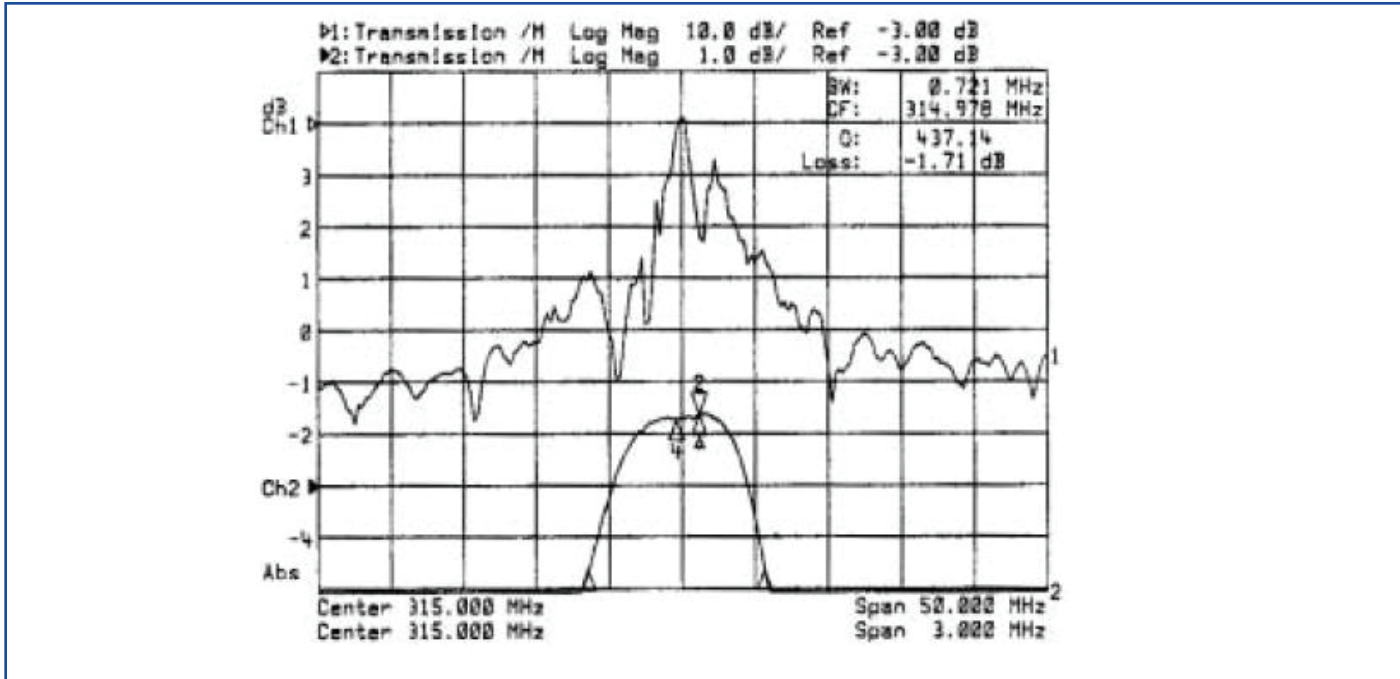


RoHS / RoHS II Compliant

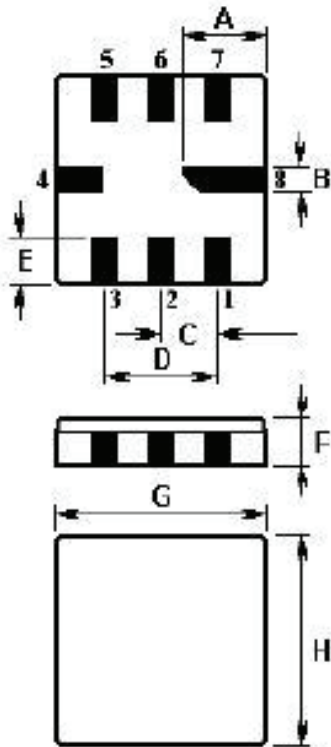


5.0 x 5.0 x 1.35 mm

FREQUENCY CHARACTERISTICS



OUTLINE DIMENSION:



Sign	Dimensions (mm)
A	2.08
B	0.60
C	1.27
D	2.54
E	1.20
F	1.35
G	5.00
H	5.00

PIN NO.	FUNCTION
1	Input
2	Input GND
5	Output
6	Output GND
3, 7	GND
4, 8	Case GND



SMD 315.0MHz SAW Filter

AFS315E

Moisture Sensitivity Level (MSL) = 1

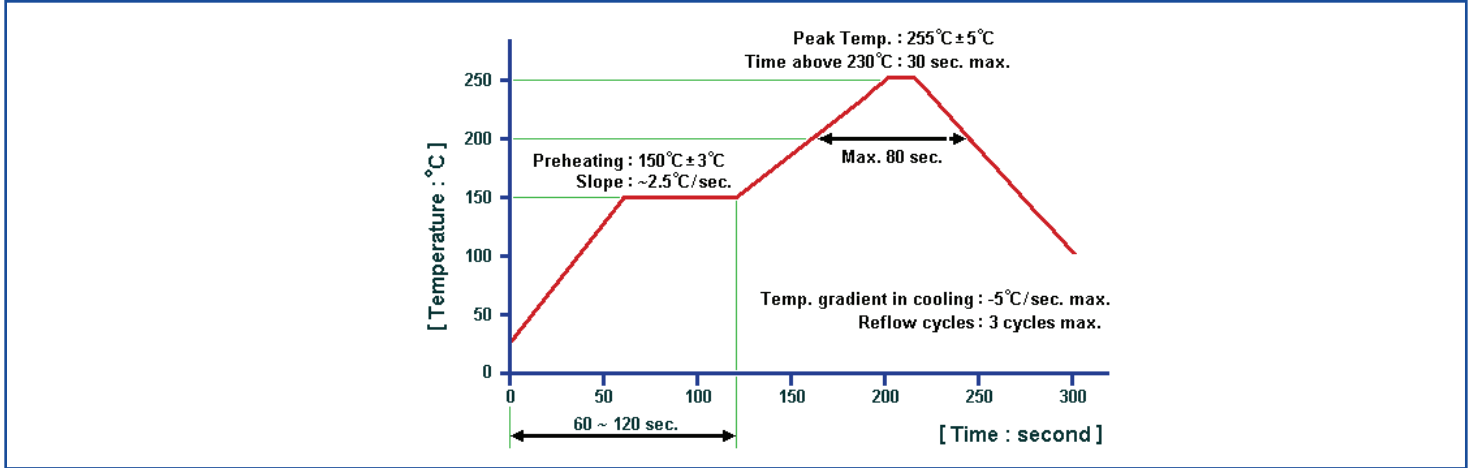


RoHS / RoHS II Compliant



5.0 x 5.0 x 1.35 mm

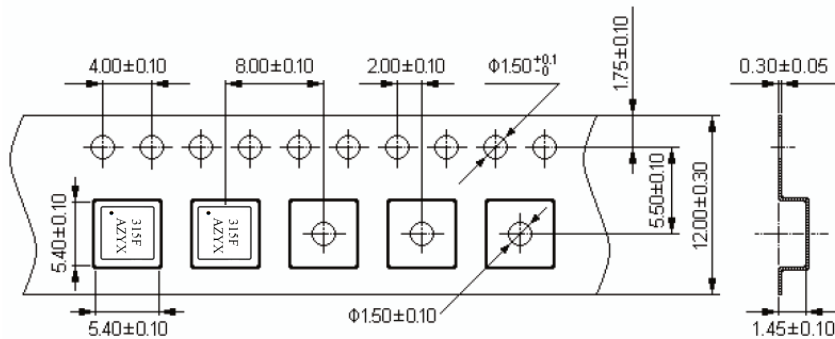
REFLOW PROFILE:



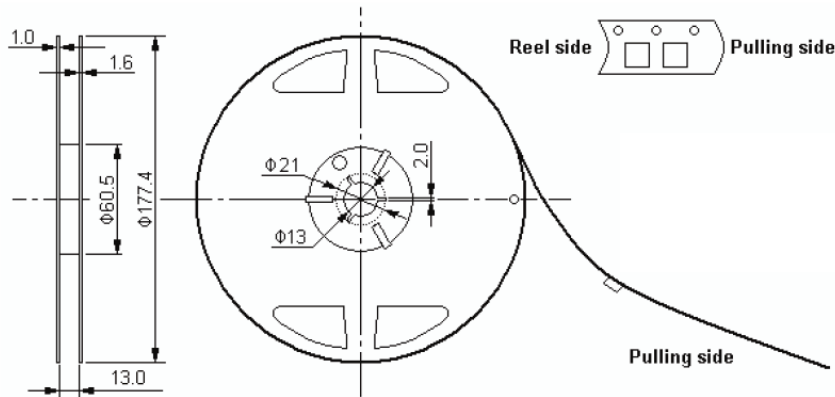
TAPE & REEL:

T= Tape & Reel (1,000pcs/reel)

Carrier Tape



Reel Dimensions



ATTENTION: Abracon Corporation's products are COTS – Commercial-Off-The-Shelf products; suitable for Commercial, Industrial and, where designated, Automotive Applications. Abracon's products are not specifically designed for Military, Aviation, Aerospace, Life-dependant Medical applications or any application requiring high reliability where component failure could result in loss of life and/or property. For applications requiring high reliability and/or presenting an extreme operating environment, written consent and authorization from Abracon Corporation is required. Please contact Abracon Corporation for more information.



ABRACON CORPORATION

2 Faraday, Suite# B | Irvine | CA 92618 **Revised: 02.06.15**
 Ph. 949.546.8000 | Fax. 949.546.8001
 Visit www.abracon.com for Terms and Conditions of Sale

X-ON Electronics

Largest Supplier of Electrical and Electronic Components

Click to view similar products for [Signal Conditioning](#) category:

Click to view products by [ABRACON](#) manufacturer:

Other Similar products are found below :

[MAPDCC0004](#) [PD0409J5050S2HF](#) [880157](#) [HHS-109-PIN](#) [DC1417J5005AHF](#) [DC4859J5005AHF](#) [AFS14A30-2185.00-T3](#) [AFS14A35-1591.50-T3](#) [DS-323-PIN](#) [DSS-313-PIN](#) [B39321R801H210](#) [B39321R821H210](#) [B39921B4317P810](#) [1A0220-3](#) [2089-6207-00](#) [JP510S](#) [LFB212G45SG8C341](#) [LFB322G45SN1A504](#) [LFL182G45TC3B746](#) [SF2159E](#) [30057](#) [1P510S](#) [CER0813B](#) [3A325](#) [40287](#) [41180](#) [ATB3225-75032NCT](#) [B69842N5807A150](#) [BD0810N50100AHF](#) [BD2326L50200AHF](#) [BD2425J50200AHF](#) [HMC189AMS8TR](#) [C5060J5003AHF](#) [JHS-114-PIN](#) [JP503AS](#) [DC0710J5005AHF](#) [DC2327J5005AHF](#) [DC3338J5005AHF](#) [43020](#) [LFB2H2G60BB1C106](#) [LFL15869MTC1B787](#) [X3C19F1-20S](#) [XC3500P-20S](#) [10013-20](#) [SF2081E](#) [SF2194E](#) [SF2238E](#) [CDBLB455KCAX39-B0](#) [RF1353C](#) [PD0922J5050D2HF](#)