

# SURFACE MOUNT 406.1 MHz SAW FILTER

AFS406.1W01-TS31

MSL level: 1

RoHS  
Compliant



3.8 x 3.8 x 1.4 mm

## FEATURES:

- Low Insertion Loss
- Surface Mount Package

## APPLICATIONS:

- RF SAW Filter for Telecommunications

## ELECTRONIC SPECIFICATIONS:

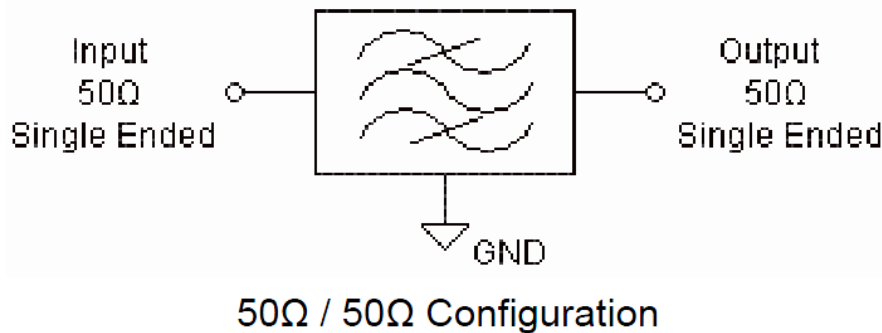
### Maximum Ratings

| Item                               | Value          |
|------------------------------------|----------------|
| Operating Temperature Range        | -40°C to +85°C |
| Storage Temperature Range          | -45°C to +85°C |
| DC Voltage (between any terminals) | 5V DC          |
| RF Power (in BW)                   | 20 dBm         |

### Electrical Characteristics

| Parameters                 | Minimum | Typical | Maximum | Units    | Notes              |
|----------------------------|---------|---------|---------|----------|--------------------|
| Center Frequency ( $f_c$ ) | -----   | 406     | -----   | MHz      |                    |
| Insertion Loss             | -----   | 1.7     | 2.5     | dB       |                    |
| 3dB Bandwidth              | 8.9     | 9.1     |         | MHz      |                    |
| 40dB Bandwidth             |         | 13.8    | 16      | MHz      |                    |
| Absolute Attenuation       | 45      | 52      | -----   | dB       | 0.3000 ~ 396.0MHz  |
|                            | 40      | 44      | -----   |          | 416.0 ~ 426.0MHz   |
|                            | 45      | 47      | -----   |          | 426.00 ~ 1000.0MHz |
| Source/Load Impedance      | 50      |         |         | $\Omega$ | Single Ended       |

## TEST CIRCUIT:



# SURFACE MOUNT 406.1 MHz SAW FILTER

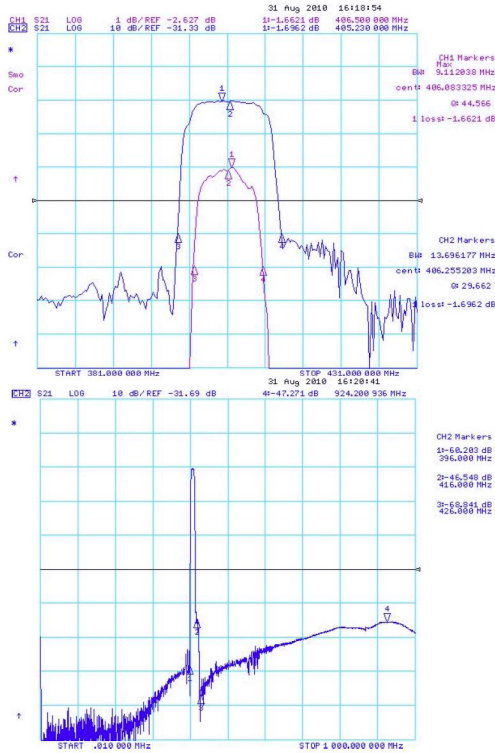
AFS406.1W01-TS31

RoHS  
Compliant

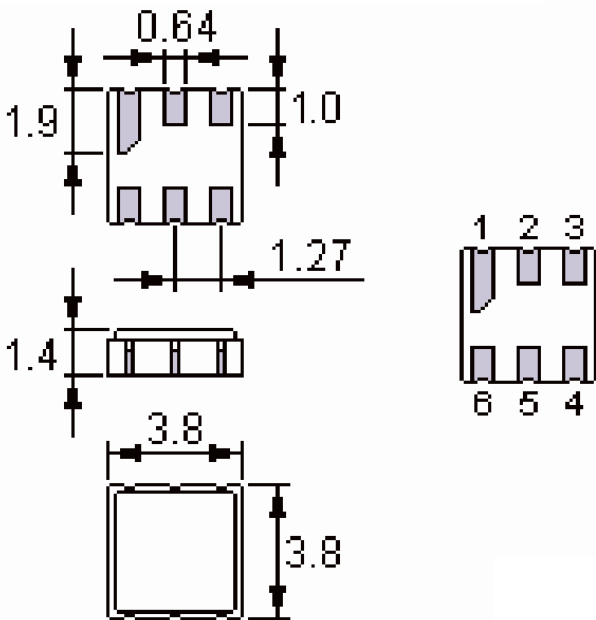


3.8 x 3.8 x 1.4 mm

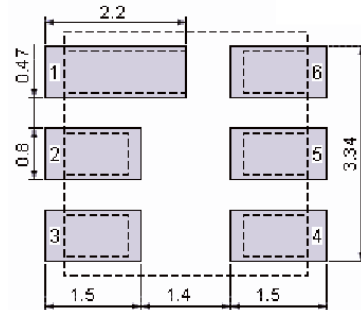
## FREQUENCY CHARACTERS:



## OUTLINE DRAWING:



### Recommended Land Pattern



| Pin No.        | Function    |
|----------------|-------------|
| Pin 2          | Input       |
| Pin 5          | Output      |
| Pin 1, 3, 4, 6 | Case Ground |

Dimensions: mm

# SURFACE MOUNT 406.1 MHz SAW FILTER

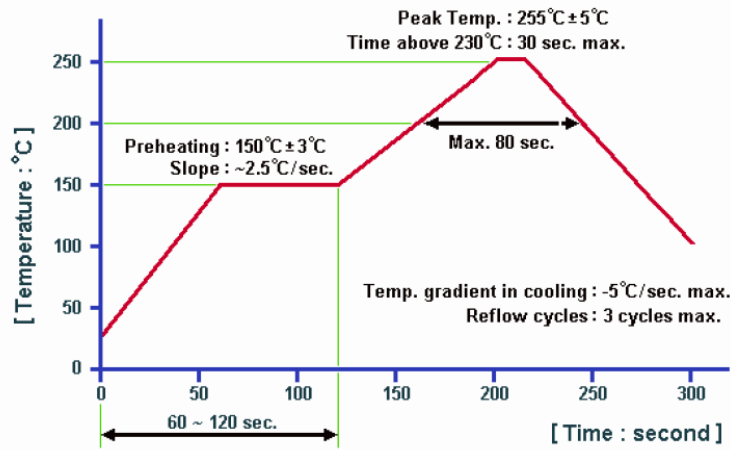
AFS406.1W01-TS31

RoHS  
Compliant



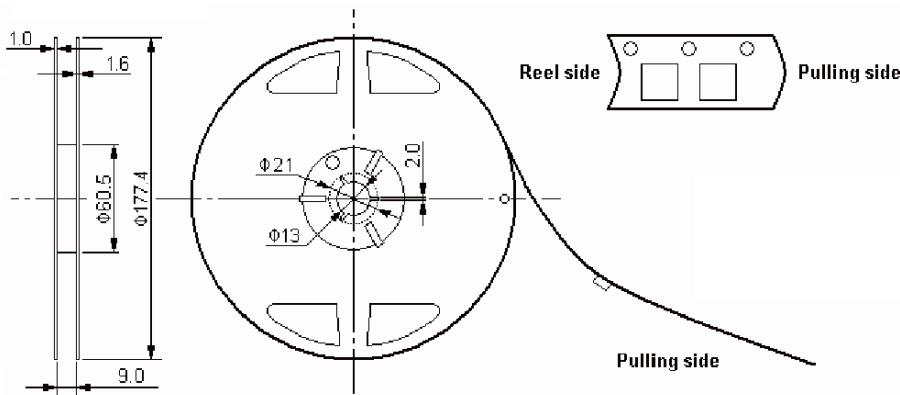
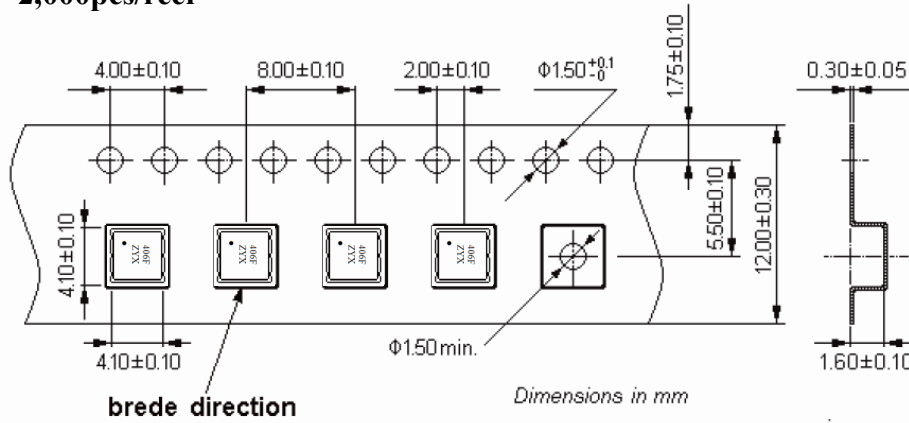
3.8 x 3.8 x 1.4 mm

## REFLOW PROFILE:



## TAPE & REEL:

Packaging: 2,000pcs/reel



**ATTENTION:** Abracon Corporation's products are COTS – Commercial-Off-The-Shelf products; suitable for Commercial, Industrial and, where designated, Automotive Applications. Abracon's products are not specifically designed for Military, Aviation, Aerospace, Life-dependant Medical applications or any application requiring high reliability where component failure could result in loss of life and/or property. For applications requiring high reliability and/or presenting an extreme operating environment, written consent and authorization from Abracon Corporation is required. Please contact Abracon Corporation for more information.

ABRACON IS  
ISO 9001: 2008  
CERTIFIED



Visit [www.abracon.com](http://www.abracon.com) for Terms & Conditions of Sale  
30332 Esperanza, Rancho Santa Margarita, California 92688  
tel 949-546-8000 | fax 949-546-8001 | [www.abracon.com](http://www.abracon.com)

Revised: 1.24.13

## X-ON Electronics

Largest Supplier of Electrical and Electronic Components

*Click to view similar products for [Signal Conditioning](#) category:*

*Click to view products by [Abracon](#) manufacturer:*

Other Similar products are found below :

[MAPDCC0001](#) [MAPDCC0004](#) [PD0409J5050S2HF](#) [880157](#) [HHS-109-PIN](#) [DC1417J5005AHF](#) [AFS14A30-2185.00-T3](#) [AFS14A35-1591.50-T3](#) [DS-323-PIN](#) [B39321R801H210](#) [1A0220-3](#) [JP510S](#) [LFB212G45SG8C341](#) [LFB322G45SN1A504](#) [LFL182G45TC3B746](#) [SF2159E](#) [30057](#)  
[FM-104-PIN](#) [CER0813B](#) [MAPDCC0005](#) [3A325](#) [40287](#) [41180](#) [ATB3225-75032NCT](#) [BD0810N50100AHF](#) [BD2425J50200AHF](#)  
[C5060J5003AHF](#) [JHS-115-PIN](#) [JP503AS](#) [DC0710J5005AHF](#) [DC2327J5005AHF](#) [DC3338J5005AHF](#) [43020](#) [LFB2H2G60BB1C106](#)  
[LFL15869MTC1B787](#) [X3C19F1-20S](#) [XC3500P-20S](#) [10013-20](#) [SF2194E](#) [CDBLB455KCAX39-B0](#) [TGL2208-SM, EVAL](#) [RF1353C](#)  
[PD0922J5050D2HF](#) [1E1305-3](#) [1F1304-3S](#) [1G1304-30](#) [B0922J7575AHF](#) [2020-6622-20](#) [TP-102-PIN](#) [TP-103-PIN](#)