

THROUGH HOLE 433.92MHz SAW FILTER

AFS433.92N01-SD02

RoHS
Compliant



φ 9.5 x 3.3 mm

FEATURES:

- Compact size resistance weld sealed package

APPLICATIONS:

- Remote Controller Receiver

STANDARD SPECIFICATIONS:

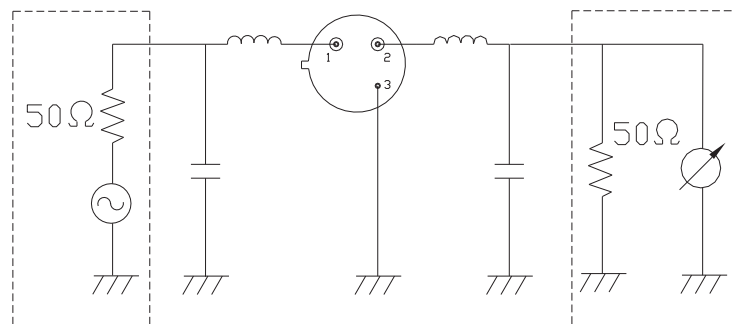
Maximum Ratings

Item	Value
Operating Temperature Range	-40°C to +85°C
Storage Temperature Range	-40°C to +85°C
DC Voltage	12V DC
AC Voltage	10V (50Hz/60Hz)
Maximum Input Power	10 dBm

Electrical Characteristics

Parameters	Minimum	Typical	Maximum	Units	Notes
Center Frequency (f_0)	433.84	433.92	434.00	MHz	
Insertion Loss	-----	1.7	3.0	MHz	
3dB Bandwidth	500	-----	800	kHz	
Rejection at $f_0-21.4$ MHz at $f_0-10.7$ MHz For Frequency F Where $10 \text{ MHz} < F < f_0-21.4 \text{ MHz}$ or $f_0+21.4 \text{ MHz} < F < 1000 \text{ MHz}$	40 15 30	50 40 80	----- ----- -----	dB	
Frequency Aging	-10	-----	+10	ppm/yr	
External Impedance Match Series Inductance L Shunt Capacitance C	----- -----	39 5.6	----- -----	nH pF	

TEST CIRCUIT



REVISED: 04.18.2018

THROUGH HOLE 433.92MHz SAW FILTER

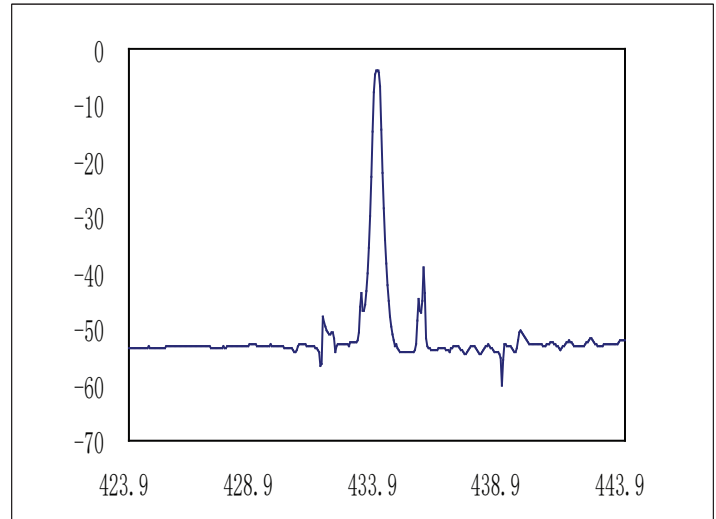
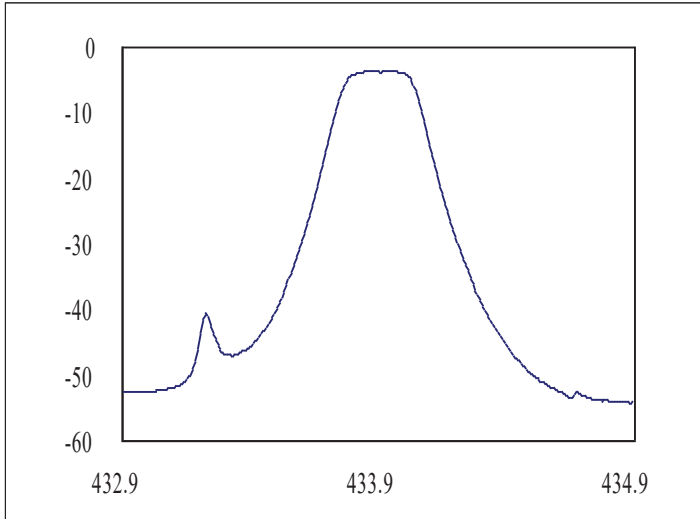
AFS433.92N01-SD02

RoHS
Compliant

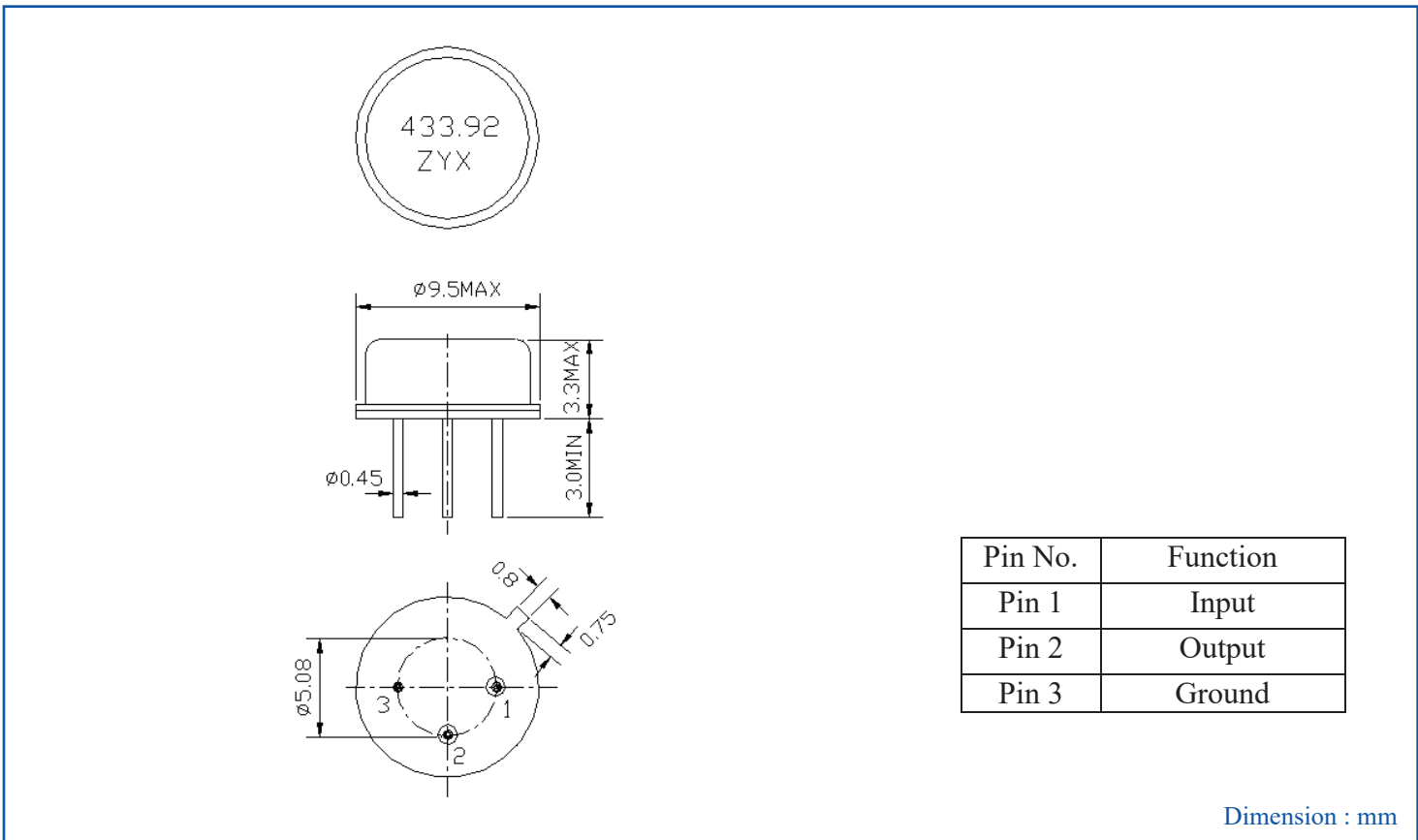


φ 9.5 x 3.3 mm

➤ FREQUENCY CHARACTERISTICS:



➤ OUTLINE DIMENSIONS:



X-ON Electronics

Largest Supplier of Electrical and Electronic Components

Click to view similar products for [Signal Conditioning](#) category:

Click to view products by [ABRACON](#) manufacturer:

Other Similar products are found below :

[MAPDCC0001](#) [MAPDCC0004](#) [PD0409J5050S2HF](#) [880157](#) [HHS-109-PIN](#) [DC1417J5005AHF](#) [AFS14A30-2185.00-T3](#) [AFS14A35-1591.50-T3](#) [DS-323-PIN](#) [B39321R801H210](#) [1A0220-3](#) [JP510S](#) [LFB212G45SG8C341](#) [LFB322G45SN1A504](#) [LFL182G45TC3B746](#) [SF2159E](#) [30057](#) [FM-104-PIN](#) [CER0813B](#) [MAPDCC0005](#) [3A325](#) [40287](#) [41180](#) [ATB3225-75032NCT](#) [BD0810N50100AHF](#) [BD2425J50200AHF](#) [C5060J5003AHF](#) [JHS-115-PIN](#) [JP503AS](#) [DC0710J5005AHF](#) [DC2327J5005AHF](#) [DC3338J5005AHF](#) [43020](#) [LFB2H2G60BB1C106](#) [LFL15869MTC1B787](#) [X3C19F1-20S](#) [XC3500P-20S](#) [10013-20](#) [SF2194E](#) [CDBLB455KCAX39-B0](#) [TGL2208-SM, EVAL](#) [RF1353C](#) [1E1305-3](#) [1F1304-3S](#) [1G1304-30](#) [B0922J7575AHF](#) [2020-6622-20](#) [TP-102-PIN](#) [TP-103-PIN](#) [BD1222J50200AHF](#)