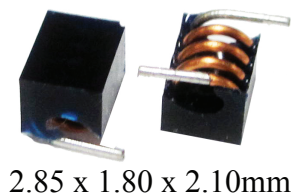


SMT Air Coil Inductor

AIAC-0805C



RoHS
Compliant



2.85 x 1.80 x 2.10mm

FEATURES:

- High current design
- Wide Range Frequency Response
- Excellent Q & SRF
- Standard flat cap top suitable for automatic placement.

APPLICATIONS:

- Widely used in Cordless Phones, High Frequency Communication Equipments, Intercom, CATV,RFID
- Suitable for metal sensors and proximity sensors
- Noise suppression for RF power supply/bias
- I/O filtering, frequency selection for audio devices such as Loudspeakers,Hifi
- Impedance Matching for transceivers
- Improves switch isolation for RF circuit

STANDARD SPECIFICATIONS:

PARAMETERS

ABRACON P/N:	AIAC-0805C
Operating temperature:	-40 °C ~ +125 °C
Storage temperature:	-25°C to + 60°C

Part Number	Inductance	Tolerance	DCR (Max)	Q(Min)	SRF(Min)	Rated Current (Max)	Inductance Code
Units	nH	%	mΩ		MHz	mA	
Symbol	L	K	DCR			IDC	
AIAC-0805C-3N9	3.9	K	2.6	80	>3000	1200	3N9
AIAC-0805C-4N7	4.7	K	3.6	80	>3000	900	4N7
AIAC-0805C-5N6	5.6	K	3.7	80	>3000	950	5N6
AIAC-0805C-6N8	6.8	K	4.5	80	>3000	900	6N8
AIAC-0805C-8N2	8.2	K	5.3	80	>3000	840	8N2
AIAC-0805C-10N	10	K	5.4	70	>3000	900	10N
AIAC-0805C-12N	12	K	6.3	70	>3000	900	12N
AIAC-0805C-15N	15	K	7.2	70	2500	900	15N
AIAC-0805C-18N	18	K	12.5	70	2500	500	18N
AIAC-0805C-22N	22	K	12.9	70	2400	550	22N
AIAC-0805C-27N	27	K	14.5	70	1600	550	27N
AIAC-0805C-33N	33	K	18.7	70	1600	500	33N

Test Conditions and equipments

Test frequency: 300MHz

Equipment: HP4286A/HP16191A

PART IDENTIFICATION:

AIAC-0805C- [] [] - []

Inductance Code

Please refer to the Electrical Spec Table

Tolerance

K: ±10%

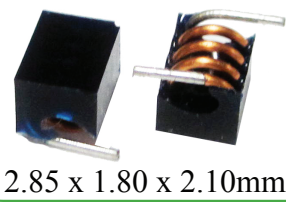
Packaging

T: Tape and Reel
(4kpcs / reel)

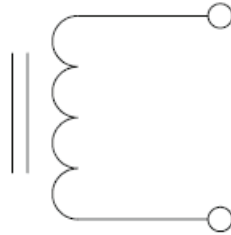
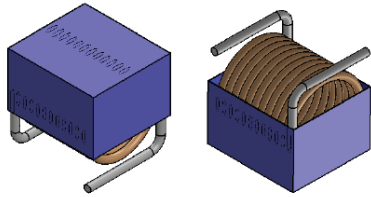
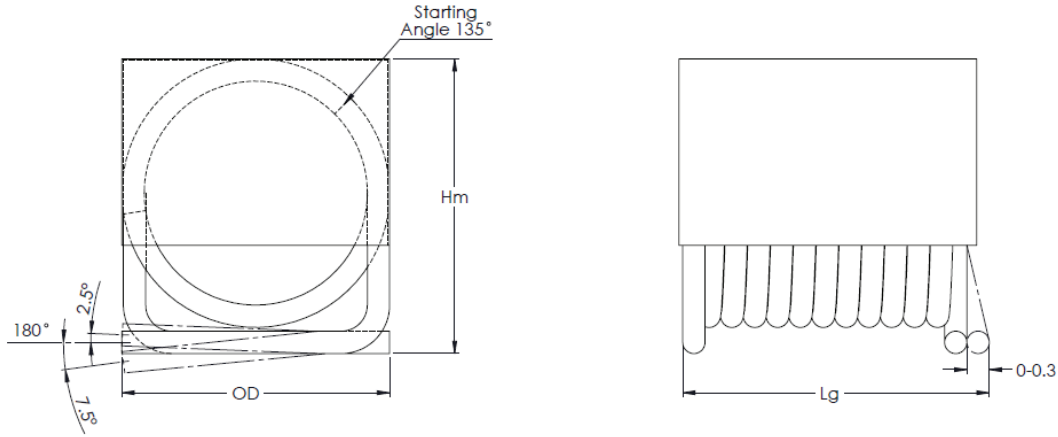
SMT Air Coil Inductor

AIAC-0805C

Pb **RoHS**
Compliant

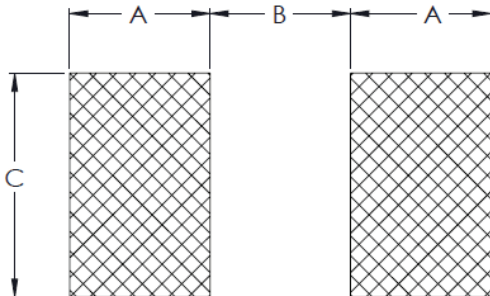


OUTLINE DRAWING:



Hm	2.10 Max
OD	1.80 Max
Lg	2.85 Max

Recommended Land Pattern



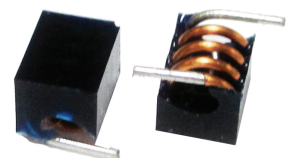
A	1.02 Min
B	0.76 Min
C	1.78 Min

Dimension: mm

SMT Air Coil Inductor

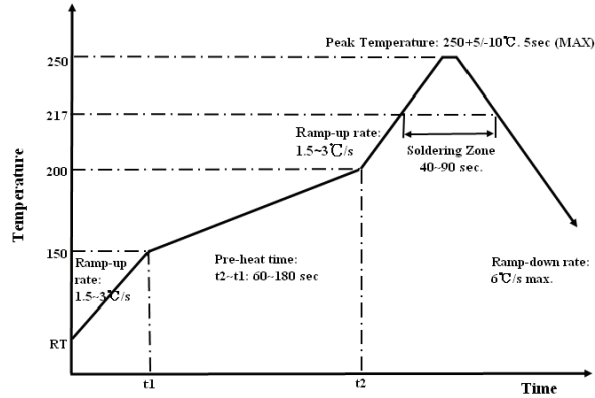
AIAC-0805C

Pb **RoHS**
Compliant



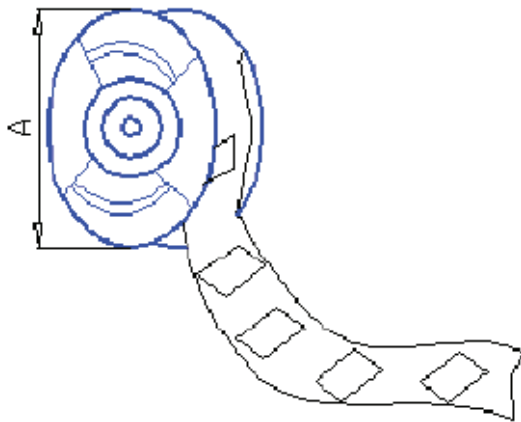
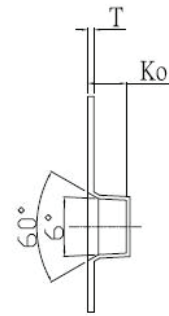
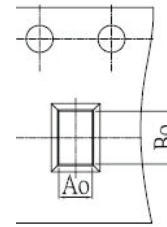
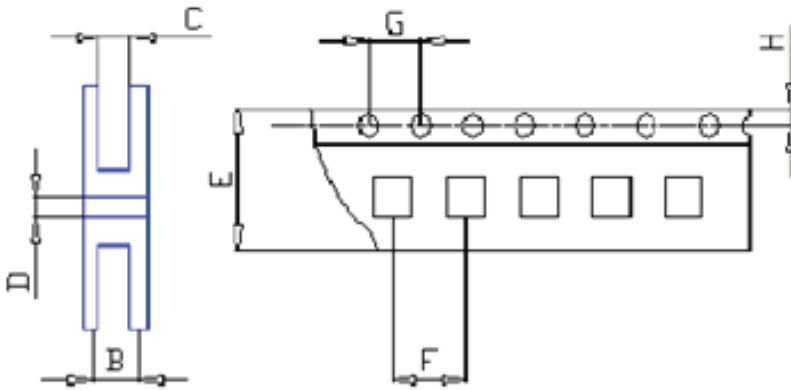
2.85 x 1.80 x 2.10mm

REFLOW PROFILE:



TAPE & REEL:

Packing
T: 4,000pcs / reel



Ao	1.85±0.10
Bo	2.95±0.10
Ko	2.15±0.10
A	330
B	18
C	12
D	13
E	12
F	8.0
G	4.0
H	1.75
T	0.35

Dimension: mm

ATTENTION: Abracon LLC's products are COTS – Commercial-Off-The-Shelf products; suitable for Commercial, Industrial and, where designated, Automotive Applications. Abracon's products are not specifically designed for Military, Aviation, Aerospace, Life-dependent Medical applications or any application requiring high reliability where component failure could result in loss of life and/or property. For applications requiring high reliability and/or presenting an extreme operating environment, written consent and authorization from Abracon LLC is required. Please contact Abracon LLC for more information.

X-ON Electronics

Largest Supplier of Electrical and Electronic Components

Click to view similar products for [Fixed Inductors](#) category:

Click to view products by [ABRACON](#) manufacturer:

Other Similar products are found below :

[CR43NP-680KC](#) [CR54NP-820KC](#) [CR54NP-8R5MC](#) [CTX32CT-100](#) [70F224AI](#) [MGDQ4-00004-P](#) [MHL1ECTTP18NJ](#) [MHL1JCTTD12NJ](#)
[PE-51506NL](#) [PE-53601NL](#) [PE-53602NL](#) [PE-53630NL](#) [PE-53824SNLT](#) [PE-62892NL](#) [PE-92100NL](#) [PG0434.801NLT](#) [PG0936.113NLT](#)
[9310-16](#) [PM06-2N7](#) [PM06-39NJ](#) [A01TK](#) [1206CS-471XJ](#) [HC2-2R2TR](#) [HC2LP-R47-R](#) [HC3-2R2-R](#) [HCF1305-3R3-R](#) [1206CS-151XG](#)
[RCH664NP-140L](#) [RCH664NP-4R7M](#) [RCH8011NP-221L](#) [RCP1317NP-332L](#) [RCP1317NP-391L](#) [RCR1010NP-470M](#) [RCR110DNP-331L](#)
[DH2280-4R7M](#) [DS1608C-106](#) [ASPI-4020HI-R10M-T](#) [B10TJ](#) [B82477P4333M](#) [B82498B3101J000](#) [B82498B3680J000](#) [ELJ-RE27NJF2](#)
[1812CS-153XJ](#) [1812CS-183XJ](#) [1812CS-223XJ](#) [1812LS-104XJ](#) [1812LS-105XJ](#) [1812LS-124XJ](#) [1812LS-154XJ](#) [1812LS-223XJ](#)