

Epoxy Coated Power Inductor

AIAP-01



RoHS/RoHS II Compliant



9.14 x 3.3mm

FEATURES:

- Low cost axial leaded inductors
- High current rating
- Wide inductance range

APPLICATIONS:

- Power supplies
- Switching circuits
- TV and audio equipment
- Telecommunication devices
- RF and other filters

ELECTRICAL SPECIFICATIONS:

Part No. AIAP-01- Inductance Code	L(μH)	Tolerance	DCR(Ω)	SRF(MHz)	I _{DC} (mA)	Inductance Code
		(%)	(max)	(min)	(max)	
AIAP -01-1R0	1.0	K	0.030	190	3300	1R0
AIAP -01-1R2	1.2	K	0.019	170	3200	1R2
AIAP -01-1R5	1.5	K	0.020	160	3100	1R5
AIAP -01-1R8	1.8	K	0.023	150	2900	1R8
AIAP -01-2R2	2.2	K	0.031	130	2600	2R2
AIAP -01-2R7	2.7	K	0.033	120	2500	2R7
AIAP -01-3R3	3.3	K	0.054	110	1900	3R3
AIAP -01-3R9	3.9	K	0.060	100	1800	3R9
AIAP -01-4R7	4.7	K	0.068	86	1700	4R7
AIAP -01-5R6	5.6	K	0.074	64	1600	5R6
AIAP -01-6R8	6.8	K	0.080	44	1600	6R8
AIAP -01-8R2	8.2	K	0.087	32	1500	8R2
AIAP -01-100	10	K	0.095	25	1500	100
AIAP -01-120	12	K	0.11	17	1400	120
AIAP -01-150	15	K	0.15	13	1200	150
AIAP -01-180	18	K	0.16	10	1100	180
AIAP -01-220	22	K	0.19	8.4	1000	220
AIAP -01-270	27	K	0.22	8.0	950	270
AIAP -01-330	33	K	0.29	7.6	910	330
AI AP-01-390	39	K	0.26	7.1	880	390
AIAP -01-470	47	K	0.35	6.0	760	470
AIAP -01-560	56	K	0.47	5.8	650	560
AIAP -01-680	68	K	0.53	4.3	610	680
AIAP -01-820	82	K	0.60	4.1	580	820
AIAP -01-101	100	K	0.67	3.9	550	101
AIAP -01-121	120	K	0.9	3.6	470	121
AIAP -01-151	150	K	1.2	3.2	410	151
AIAP -01-181	180	K	1.4	2.8	380	181
AIAP -01-221	220	K	1.9	2.3	320	221
AIAP -01-271	270	K	2.1	2.1	310	271
AIAP -01-331	330	K	2.4	1.9	290	331
AIAP -01-391	390	K	3.0	1.7	260	391
AIAP -01-471	470	K	3.4	1.4	240	471
AIAP -01-561	560	K	4.7	1.3	210	561
AIAP -01-681	680	K	6.4	1.2	180	681
AIAP -01-821	820	K	7.1	1.1	170	821
AIAP -01-102	1000	K	9.0	1.0	160	102
AIAP -01-122	1200	K	9.0	0.94	150	122
AIAP -01-152	1500	K	13.5	0.76	130	152
AIAP -01-182	1800	K	14.0	0.72	120	182
AIAP -01-222	2200	K	19.0	0.64	100	222
AIAP -01-272	2700	K	25.0	0.56	90	272
AIAP -01-332	3300	K	29.0	0.53	83	332
AIAP -01-392	3900	K	34.0	0.48	77	392
AIAP -01-472	4700	K	45.0	0.45	74	472
AIAP -01-562	5600	K	55.0	0.40	63	562
AIAP -01-682	6800	K	60.0	0.36	59	682
AIAP -01-822	8200	K	75.0	0.29	54	822
AIAP -01-103	10000	K	85.0	0.27	52	103

Epoxy Coated Power Inductor

AIAP-01

 RoHS/RoHS II Compliant



Test Conditions and equipments

Test frequency: 7.9MHz for 1.0 μ H to 8.2 μ H, 1KHz for 10 μ H to 10000 μ H

I_{DC}: 10% inductance drop typical

Operating Temperature

-40°C ~ +105 °C

Storage Temperature

-40°C ~ +85 °C

PART NUMBER IDENTIFICATION

AIAP-01- -

Inductance Code

Please refer to Electrical Specifications Table

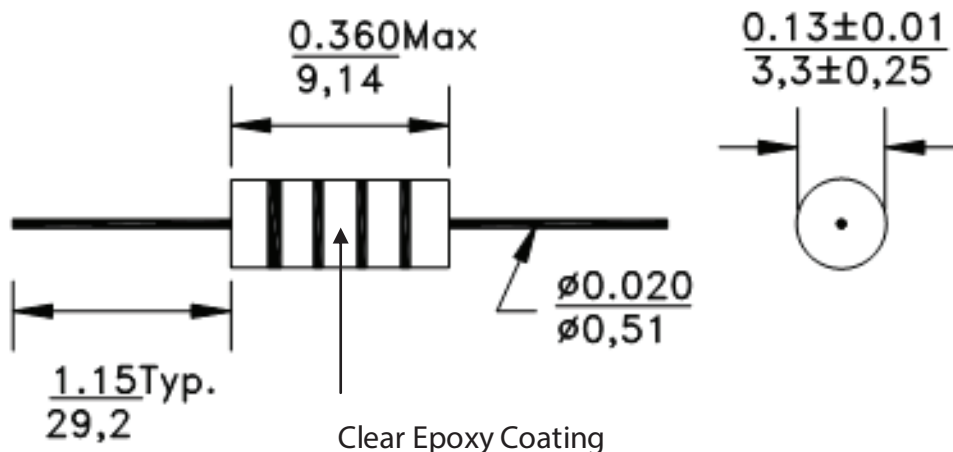
Tolerance

K: $\pm 10\%$

Packaging

T: Tape and Reel
(2.5kpcs / reel)

OUTLINE DRAWING:



Dimension: inch/mm

Epoxy Coated Power Inductor

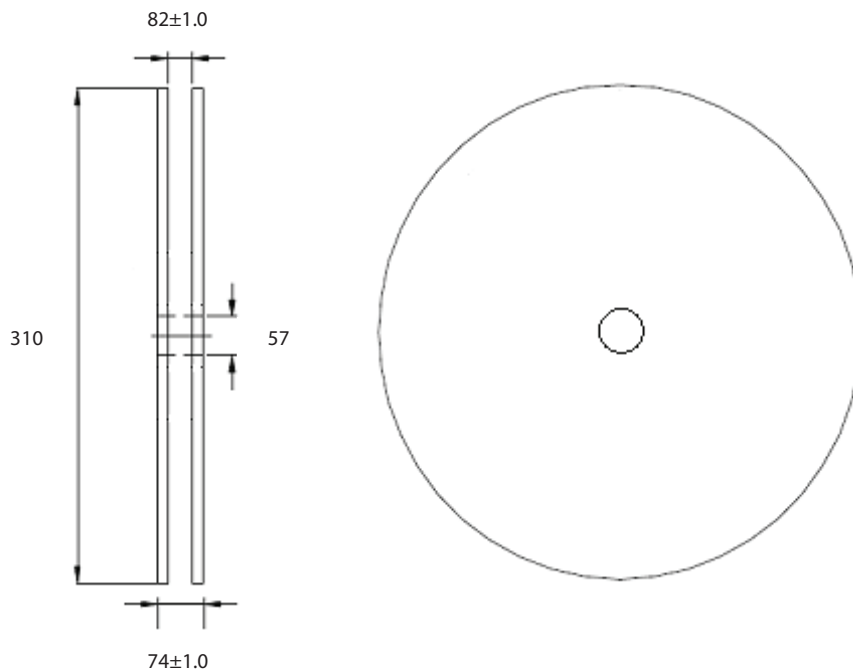
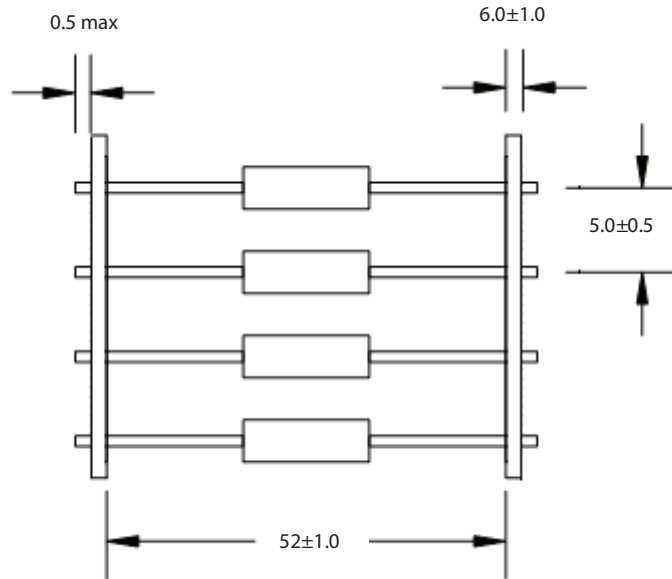
AIAP-01

 RoHS/RoHS II Compliant



ELECTRICAL SPECIFICATIONS:

T: 2,500pcs/Reel



Dimension: mm

ATTENTION: Abracon LLC's products are COTS – Commercial-Off-The-Shelf products; suitable for Commercial, Industrial and, where designated, Automotive Applications. Abracon's products are not specifically designed for Military, Aviation, Aerospace, Life-dependent Medical applications or any application requiring high reliability where component failure could result in loss of life and/or property. For applications requiring high reliability and/or presenting an extreme operating environment, written consent and authorization from Abracon LLC is required. Please contact Abracon LLC for more information.

X-ON Electronics

Largest Supplier of Electrical and Electronic Components

Click to view similar products for [Fixed Inductors](#) category:

Click to view products by [Abracon](#) manufacturer:

Other Similar products are found below :

[CR43NP-680KC](#) [CR54NP-820KC](#) [CR54NP-8R5MC](#) [CTX32CT-100](#) [70F224AI](#) [MGDQ4-00004-P](#) [MHL1ECTTP18NJ](#) [MHL1JCTTD12NJ](#)
[PE-51506NL](#) [PE-53601NL](#) [PE-53602NL](#) [PE-53630NL](#) [PE-53824SNLT](#) [PE-62892NL](#) [PE-92100NL](#) [PG0434.801NLT](#) [PG0936.113NLT](#)
[9310-16](#) [PM06-2N7](#) [PM06-39NJ](#) [A01TK](#) [1206CS-471XJ](#) [HC2-2R2TR](#) [HC2LP-R47-R](#) [HC3-2R2-R](#) [HCF1305-3R3-R](#) [1206CS-151XG](#)
[RCH664NP-140L](#) [RCH664NP-4R7M](#) [RCH8011NP-221L](#) [RCP1317NP-332L](#) [RCP1317NP-391L](#) [RCR1010NP-470M](#) [RCR110DNP-331L](#)
[DH2280-4R7M](#) [DS1608C-106](#) [ASPI-4020HI-R10M-T](#) [B10TJ](#) [B82477P4333M](#) [B82498B3101J000](#) [B82498B3680J000](#) [ELJ-RE27NJF2](#)
[1812CS-153XJ](#) [1812CS-183XJ](#) [1812CS-223XJ](#) [1812LS-104XJ](#) [1812LS-105XJ](#) [1812LS-124XJ](#) [1812LS-154XJ](#) [1812LS-223XJ](#)