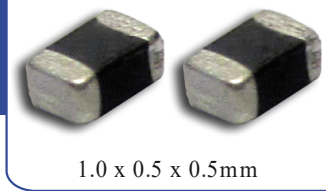


MULTILAYER FERRITE CHIP INDUCTOR



AIML-0402

**RoHS
Compliant**

➤ **FEATURES:**

- Monolithic structure for higher reliability, compact size, & lightweight
- Magnetically shielded design to eliminate cross coupling
- Excellent solderability and heat resistance for reflow soldering
- Perfect shape for PCB mounting with no polarity

➤ **APPLICATIONS:**

- Resonance circuit, traps and filter circuits
- RF choke for cordless phones and radio equipment
- Communications, video and audio equipment, computer and remote Control.

➤ **STANDARD SPECIFICATIONS:**

Part No.	L(μH)	Tolerance	Q (min)	Test Freq.	SRF(MHz)	DCR(Ω)	Ir(mA)
		(%)		(MHz)	(min)	(max)	(max)
AIML-0402-1R0	1.0	K, M	20	10	40	0.90	15
AIML-0402-1R2	1.2	K, M	20	10	35	1.20	15
AIML-0402-1R5	1.5	K, M	20	10	30	1.20	15
AIML-0402-1R8	1.8	K, M	20	10	30	1.45	15
AIML-0402-2R2	2.2	K, M	20	10	28	1.70	10
AIML-0402-2R7	2.7	K, M	20	10	28	2.40	10

Test Conditions and equipments

L, Q: HP4291 Impedance Analyzer

DCR: HP4263A LCR meter

SRF: HP4291 Impedance analyzer

Ir: HP4291 Impedance Analyzer, DC power HP6632 and Adapter HP16200. $\Delta L/L$ (initial) \geq -5%

Unless otherwise specified

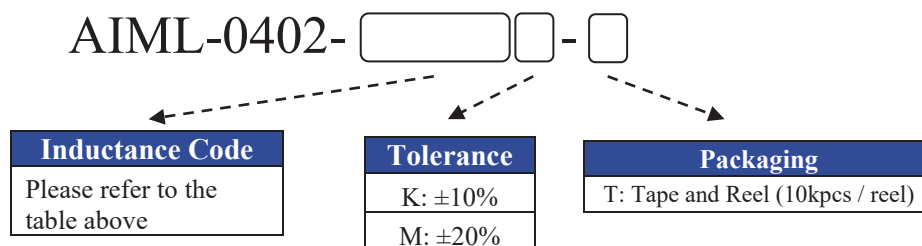
Temperature : Ordinary Temperature (5 to 35°C)

Humidity : Ordinary Humidity (25 to 85% RH)

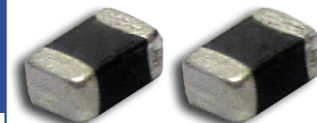
PARAMETERS	
ABRACON P/N:	AIML-0402-xxx
Operating temperature :	-55°C to + 125°C
Storage temperature:	-55°C to + 125°C

➤ **OPTIONS AND PART IDENTIFICATION:**

(Left blank if standard)



MULTILAYER FERRITE CHIP INDUCTOR

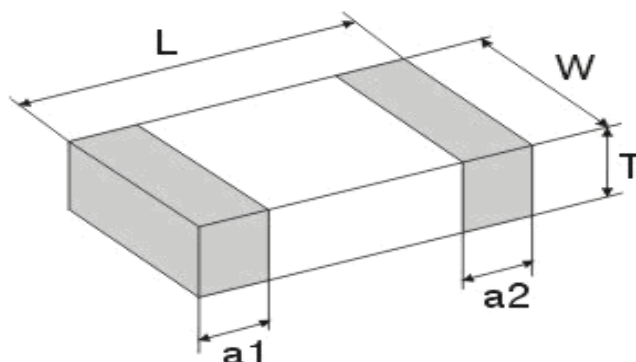


1.0 x 0.5 x 0.5mm

AIML-0402

RoHS
Compliant

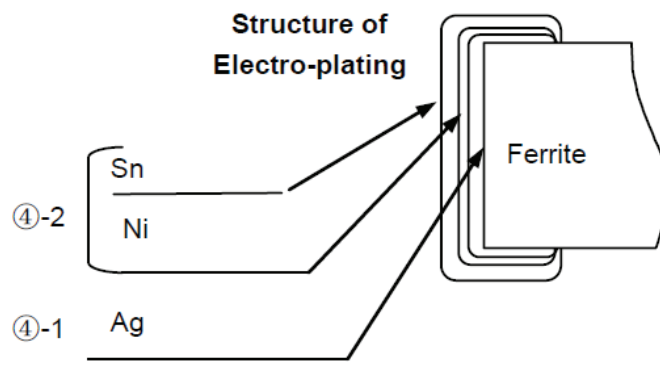
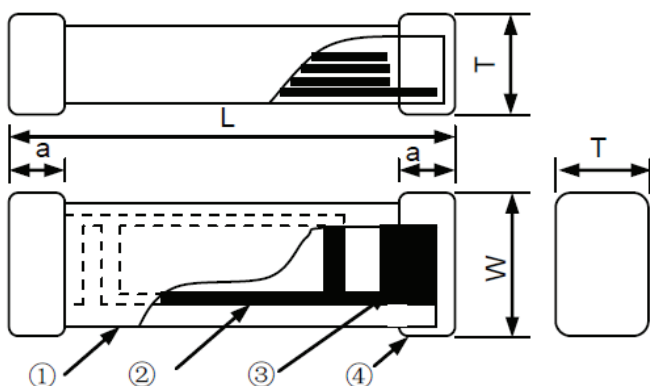
OUTLINE DRAWING:



Series	L	W	T	a1,a2
AIML-0402	1.00±0.15	0.50±0.15	0.50±0.15	0.25±0.10
	[0.039±0.006]	[0.02±0.006]	[0.02±0.006]	[0.01±0.004]

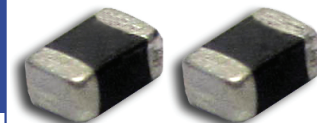
Dimension: mm [inch]

MATERIALS:



#	Part Nme	Material Name
1	Ferrite Body	Ferrite Powder
2	Inner Coils	Silver Paste
3	Pull-out Electrode (Ag)	Silver Paste
4-1	Terminal Electrode: Inside Ag	Termination Silver Composition
4-2	Electro-Plating: Ni/Sn plating	Plating Chemicals

MULTILAYER FERRITE CHIP INDUCTOR

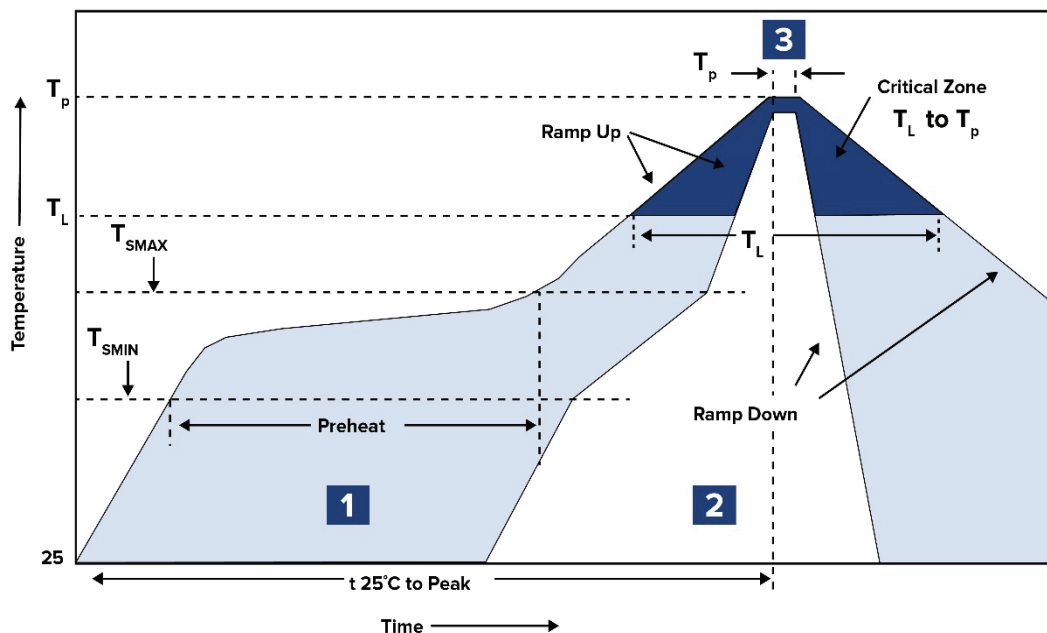


1.0 x 0.5 x 0.5mm

AIML-0402

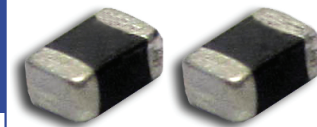
RoHS
Compliant

REFLOW PROFILE:



Zone	Description	Temperature	Times
1	Preheat	T _{SMIN} ~ T _{SMAX} 150°C ~ 200°C	60 ~ 180 sec.
2	Reflow	T _L 217°C	60 ~ 150 sec.
3	Peak heat	T _P 260°C±5°C	20 ~ 40 sec.

MULTILAYER FERRITE CHIP INDUCTOR



1.0 x 0.5 x 0.5mm

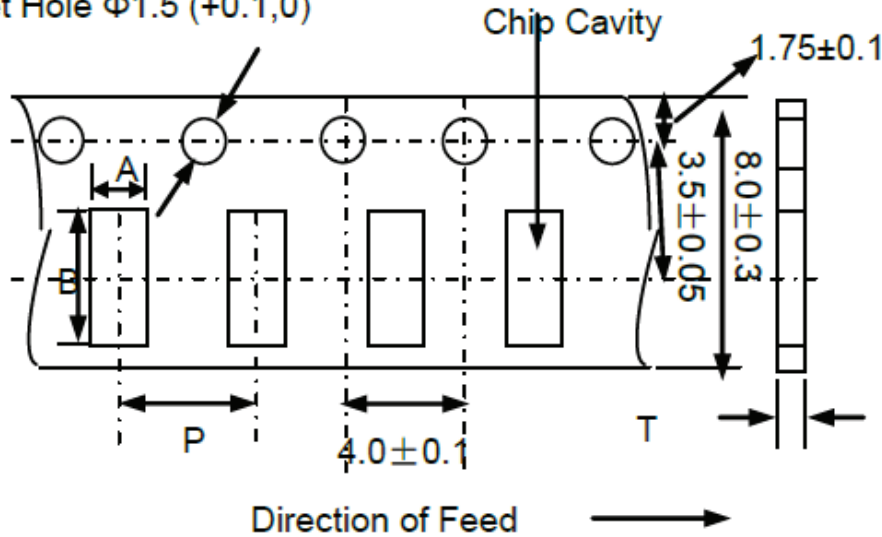
RoHS
Compliant

AIML-0402

PACKAGING:

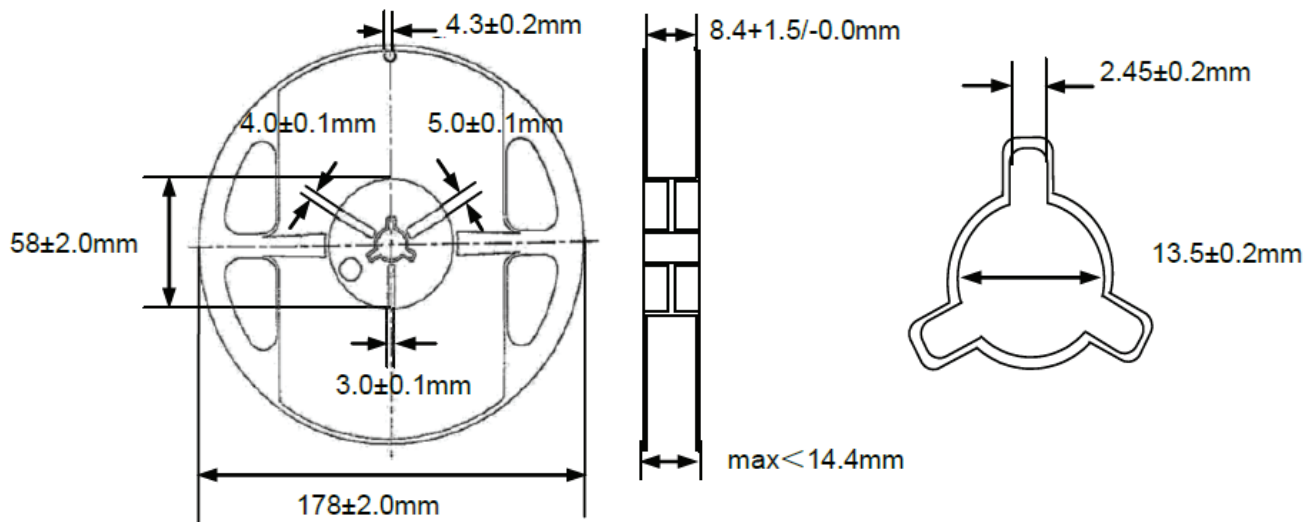
T: 10,000pcs / reel

Sprocket Hole $\Phi 1.5 (+0.1,0)$



Codes	A	B	P	T(max)
AIML-0402	0.65± 0.10	1.15± 0.10	2.0± 0.05	0.80

Dimensions: mm



ATTENTION: Abracon Corporation's products are COTS – Commercial-Off-The-Shelf products; suitable for Commercial, Industrial and, where designated, Automotive Applications. Abracon's products are not specifically designed for Military, Aviation, Aerospace, Life-dependant Medical applications or any application requiring high reliability where component failure could result in loss of life and/or property. For applications requiring high reliability and/or presenting an extreme operating environment, written consent and authorization from Abracon Corporation is required. Please contact Abracon Corporation for more information.

X-ON Electronics

Largest Supplier of Electrical and Electronic Components

Click to view similar products for [Fixed Inductors](#) category:

Click to view products by [ABRACON](#) manufacturer:

Other Similar products are found below :

[CR43NP-680KC](#) [CR54NP-820KC](#) [CR54NP-8R5MC](#) [CTX32CT-100](#) [70F224AI](#) [MGDQ4-00004-P](#) [MHL1ECTTP18NJ](#) [MHL1JCTTD12NJ](#)
[PE-51506NL](#) [PE-53601NL](#) [PE-53602NL](#) [PE-53630NL](#) [PE-53824SNLT](#) [PE-62892NL](#) [PE-92100NL](#) [PG0434.801NLT](#) [PG0936.113NLT](#)
[9310-16](#) [PM06-2N7](#) [PM06-39NJ](#) [A01TK](#) [1206CS-471XJ](#) [HC2-2R2TR](#) [HC2LP-R47-R](#) [HC3-2R2-R](#) [HCF1305-3R3-R](#) [1206CS-151XG](#)
[RCH664NP-140L](#) [RCH664NP-4R7M](#) [RCH8011NP-221L](#) [RCP1317NP-332L](#) [RCP1317NP-391L](#) [RCR1010NP-470M](#) [RCR110DNP-331L](#)
[DH2280-4R7M](#) [DS1608C-106](#) [ASPI-4020HI-R10M-T](#) [B10TJ](#) [B82477P4333M](#) [B82498B3101J000](#) [B82498B3680J000](#) [ELJ-RE27NJF2](#)
[1812CS-153XJ](#) [1812CS-183XJ](#) [1812CS-223XJ](#) [1812LS-104XJ](#) [1812LS-105XJ](#) [1812LS-124XJ](#) [1812LS-154XJ](#) [1812LS-223XJ](#)