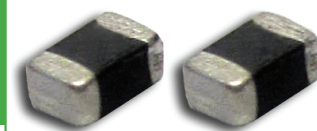


Multilayer Ferrite Chip Inductor (High Current)



2.50 x 2.00 x 0.85mm

AIML-1008HC



RoHS/RoHS II compliant

FEATURES:

- Monolithic structure for higher reliability, compact size, & lightweight
- Magnetically shielded design to eliminate cross coupling
- Excellent solderability and heat resistance for reflow soldering
- Perfect shape for PCB mounting with no polarity

APPLICATIONS:

- DC/DC converter circuit for Front End Module such as Skyworks Solution
- Portable AV equipments such as Digital Camera, Camcorder remote Control.

STANDARD SPECIFICATIONS:

PARAMETERS

| | |
|------------------------|------------------|
| ABRACON P/N: | AIML-1008HC |
| Operating temperature: | -55°C to + 125°C |
| Storage temperature: | -55°C to + 125°C |

| Part No. AIML-1008HC- Inductance Code | L(μH) | Tolerance | Test Freq. | SRF(MHz) | DCR(Ω) | Irms(mA) |
|---|-------|-----------|------------|----------|--------|----------|
| | | (%) | (MHz) | (min) | ±30% | (max) |
| AIML-1008HC-1R0 | 1.0 | M | 1.0 | 60 | 0.085 | 1600 |
| AIML-1008HC-1R5 | 1.5 | M | 1.0 | 50 | 0.090 | 1500 |
| AIML-1008HC-2R2 | 2.2 | M | 1.0 | 40 | 0.090 | 1500 |
| AIML-1008HC-3R3 | 3.3 | M | 1.0 | 30 | 0.120 | 1300 |
| AIML-1008HC-4R7 | 4.7 | M | 1.0 | 20 | 0.120 | 1300 |

Test Conditions and equipments

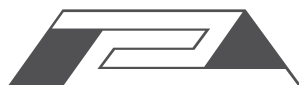
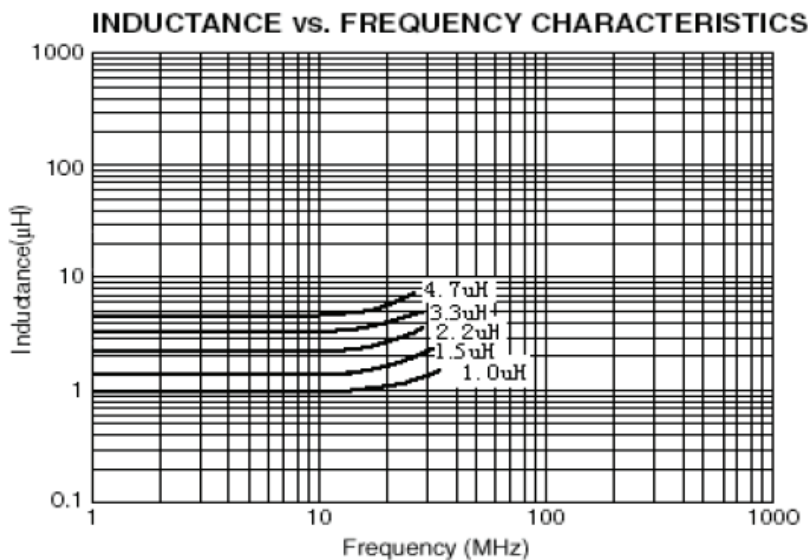
L: HP4291 Impedance Analyzer, 50mV

DCR: HP4263A LCR meter

Irms: HP4291 Impedance Analyzer, DC power HP6632 and Adapter HP16200.

Current when temperature of the product reaches +40°C.

ELECTRICAL CHARACTERISTICS CURVE

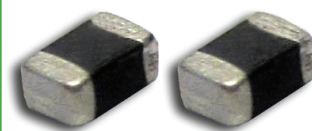


Multilayer Ferrite Chip Inductor (High Current)

AIML-1008HC



RoHS/RoHS II compliant



2.50 x 2.00 x 0.85mm

PART NUMBER IDENTIFICATION

AIML-1008HC---

Inductance Code

Please refer to the table above

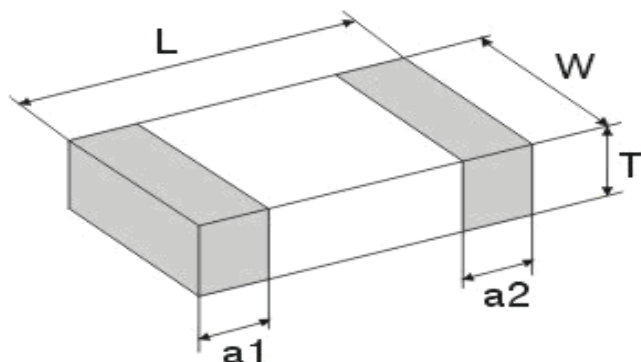
Tolerance

M: ±20%

Packaging

T: Tape and Reel
(3kpcs / reel)

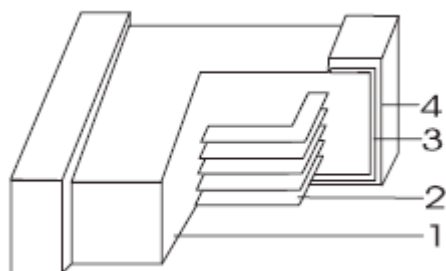
OUTLINE DIMENSION



| L | W | T | a1,a2 |
|-----------|-----------|-----------|-----------|
| 2.50±0.20 | 2.00±0.20 | 0.85±0.15 | 0.50±0.30 |

Dimension: mm

Materials



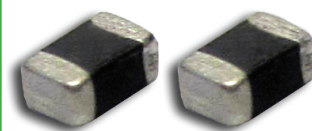
| | Part Name | Material |
|---|--------------------|---------------------------|
| 1 | Base Material | Ferrite (Ni-Cu-Zn series) |
| 2 | Internal Conductor | Ag |
| 3 | Terminal Electrode | Ag |
| 4 | Terminal Electrode | Ni-Sn |

Multilayer Ferrite Chip Inductor (High Current)

AIML-1008HC

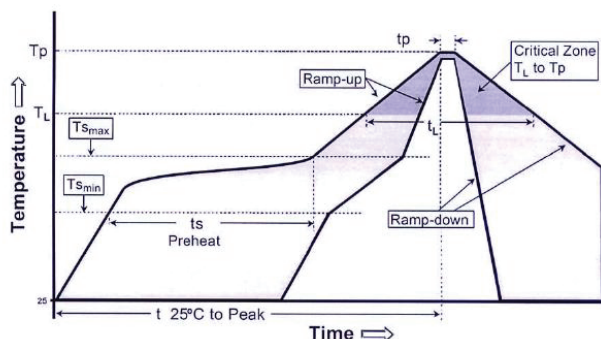


RoHS/RoHS II compliant



2.50 x 2.00 x 0.85mm

REFLOW PROFILE

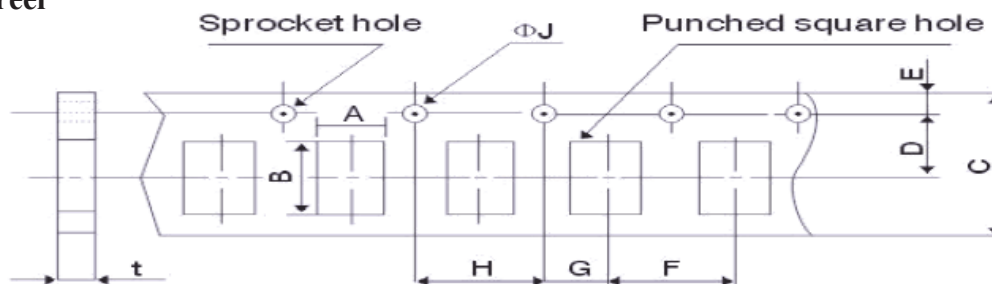


| Profile Feature | Lead-Free Assembly |
|---|------------------------------------|
| Average Ramp-Up Rate (Tsmax to Tp) | 3°C/second max. |
| Preheat <ul style="list-style-type: none"> - Temperature Min (Tsmin) - Temperature Max (Tsmax) - Time (tsmin to tsmax) min to tsmax) | 150 °C 200 °C 60-180 seconds |
| Time maintained above: <ul style="list-style-type: none"> - Temperature (Tl) - Time (tl) | 217 °C 60-150 seconds |
| Peak/Classification Temperature (Tp) Peak/Classification Time (Tp) | 260 °C 3-4 seconds |
| Time within 5 °C of actual Peak Temperature (tp) | 20-40 seconds |
| Ramp-Down Rate | 6°C/second max. |
| Time 25 °C to Peak Temperature | 8 minutes max. |

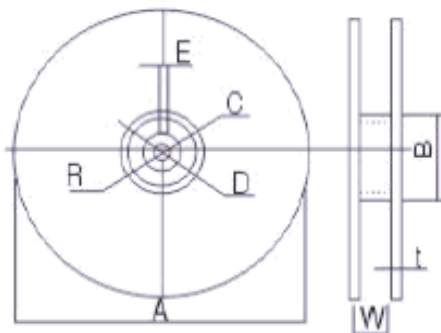
TAPE & REEL

Packing

T: 3,000pcs / reel



| A | B | C | D | E | F | G | H | ΦJ | t(max) |
|---------|---------|---------|----------|----------|---------|----------|---------|------------|----------|
| 2.3±0.2 | 2.7±0.1 | 8.0±0.3 | 3.5±0.05 | 1.75±0.1 | 4.0±0.1 | 2.0±0.05 | 4.0±0.1 | 1.5+0.1/-0 | 2.0±0.05 |



| | |
|---|-----------|
| A | 178±2 |
| B | 60±2 |
| C | 13.0±0.5 |
| D | 21.0±0.8 |
| E | 2.0±0.5 |
| W | 10.0±1.15 |
| t | 1.2±0.2 |
| R | 1.0±0.25 |

Dimension: mm

ATTENTION: Abracon Corporation's products are COTS – Commercial-Off-The-Shelf products; suitable for Commercial, Industrial and, where designated, Automotive Applications. Abracon's products are not specifically designed for Military, Aviation, Aerospace, Life-dependant Medical applications or any application requiring high reliability where component failure could result in loss of life and/or property. For applications requiring high reliability and/or presenting an extreme operating environment, written consent and authorization from Abracon Corporation is required. Please contact Abracon Corporation for more information.

ABRACON IS
ISO 9001:2008
CERTIFIED



Visit www.abracon.com for Terms & Conditions of Sale
30332 Esperanza, Rancho Santa Margarita, California 92688
tel 949-546-8000 | fax 949-546-8001 | www.abracon.com

Revised: 03.04.14

X-ON Electronics

Largest Supplier of Electrical and Electronic Components

Click to view similar products for [Fixed Inductors](#) category:

Click to view products by [Abracon](#) manufacturer:

Other Similar products are found below :

[CR43NP-680KC](#) [CR54NP-820KC](#) [CR54NP-8R5MC](#) [CTX32CT-100](#) [70F224AI](#) [MGDQ4-00004-P](#) [MHL1ECTTP18NJ](#) [MHL1JCTTD12NJ](#)
[PE-51506NL](#) [PE-53601NL](#) [PE-53602NL](#) [PE-53630NL](#) [PE-53824SNLT](#) [PE-62892NL](#) [PE-92100NL](#) [PG0434.801NLT](#) [PG0936.113NLT](#)
[9310-16](#) [PM06-2N7](#) [PM06-39NJ](#) [A01TK](#) [1206CS-471XJ](#) [HC2-2R2TR](#) [HC2LP-R47-R](#) [HC3-2R2-R](#) [HCF1305-3R3-R](#) [1206CS-151XG](#)
[RCH664NP-140L](#) [RCH664NP-4R7M](#) [RCH8011NP-221L](#) [RCP1317NP-332L](#) [RCP1317NP-391L](#) [RCR1010NP-470M](#) [RCR110DNP-331L](#)
[DH2280-4R7M](#) [DS1608C-106](#) [ASPI-4020HI-R10M-T](#) [B10TJ](#) [B82477P4333M](#) [B82498B3101J000](#) [B82498B3680J000](#) [ELJ-RE27NJF2](#)
[1812CS-153XJ](#) [1812CS-183XJ](#) [1812CS-223XJ](#) [1812LS-104XJ](#) [1812LS-105XJ](#) [1812LS-124XJ](#) [1812LS-154XJ](#) [1812LS-223XJ](#)