

Ceramic Wire Wound Inductors

AISC-0402



RoHS / RoHS II Compliant



1.19 x 0.64 x 0.66mm

FEATURES:

- Exceptional high Q and SRF for high frequency applications
- Excellent DCR and current carrying characteristics
- Small size suitable for surface mounting
- Epoxy coating protects wound wire

APPLICATIONS:

- Widely applied in mobile phones such as GSM, CDMA, PDC, etc.
- Bluetooth, W-LAN, Broadband Network
- High Frequency Communication Circuits
- Video cameras, liquid crystal television, and other electronic devices

ELECTRICAL SPECIFICATIONS:

Part Number AISC-0402- Inductance Code	L (nH)	Tolerance	Q Min	L/Q Test Freq (MHz)	SRF Min (MHz)	RDC Max (Ω)	IDC Max (mA)
1N0	1	J, K, S	13	250	12700	0.045	1360
1N2	1.2	J, K, S	13	250	12000	0.060	1300
1N8	1.8	J, K, S	13	250	11500	0.070	1040
1N9	1.9	J, K, S	16	250	11300	0.070	1040
2N0	2	J, K, S	16	250	11100	0.070	1040
2N2	2.2	J, K, S	18	250	10800	0.070	960
2N4	2.4	J, K, S	18	250	10500	0.070	960
2N7	2.7	J, K, S	13	250	10400	0.120	640
3N0	3	J, K, S	20	250	7000	0.066	840
3N3	3.3	G, J, K, S	20	250	7000	0.066	840
3N6	3.6	G, J, K, S	20	250	6800	0.066	840
3N9	3.9	G, J, K, S	20	250	6000	0.066	840
4N3	4.3	G, J, K, S	20	250	6000	0.091	700
4N7	4.7	G, J, K, S	20	250	4775	0.083	800
5N1	5.1	G, J, K, S	23	250	5800	0.083	800
5N6	5.6	G, J, K, S	23	250	5800	0.083	760
6N2	6.2	G, J, K, S	23	250	5800	0.083	760
6N8	6.8	G, J, K	20	250	5800	0.083	680
7N3	7.3	G, J, K	25	250	6000	0.130	570
7N5	7.5	G, J, K	25	250	5800	0.100	680
8N2	8.2	G, J, K	25	250	4400	0.100	680
8N7	8.7	G, J, K	25	250	4200	0.100	680
9N0	9	G, J, K	25	250	4160	0.100	680
9N5	9.5	G, J, K	21	250	4000	0.162	600
10N	10	G, J, K	21	250	3900	0.200	480
11N	11	G, J, K	26	250	3680	0.120	640
12N	12	G, J, K	26	250	3600	0.120	640
13N	13	G, J, K	26	250	3450	0.185	440
15N	15	G, J, K	26	250	3280	0.170	560
16N	16	G, J, K	26	250	3100	0.220	560
18N	18	G, J, K	26	250	3100	0.230	480
19N	19	G, J, K	26	250	3040	0.200	480
20N	20	G, J, K	26	250	3000	0.250	420
22N	22	G, J, K	26	250	2800	0.250	400
23N	23	G, J, K	26	250	2720	0.250	400
24N	24	G, J, K	26	250	2700	0.300	400
27N	27	G, J, K	26	250	2480	0.300	400
30N	30	G, J, K	25	250	2350	0.300	400
33N	33	G, J, K	25	250	2350	0.350	400



Ceramic Wire Wound Inductors

AISC-0402



RoHS / RoHS II Compliant



1.19 x 0.64 x 0.66mm

Key Electrical Specifications (Con'd)

Part Number AISC-0402- Inductance Code	L (nH)	Tolerance	Q Min	L/Q Test Freq (MHz)	SRF Min (MHz)	RDC Max (Ω)	IDC Max (mA)
36N	36	G, J, K	26	250	2320	0.400	320
39N	39	G, J, K	25	250	2100	0.500	200
40N	40	G, J, K	26	250	2240	0.550	200
43N	43	G, J, K	25	250	2030	0.700	150
47N	47	G, J, K	20	250	2100	0.750	150
51N	51	G, J, K	25	250	1750	0.820	100
56N	56	G, J, K	25	250	1760	0.970	100
62N	62	G, J, K	25	250	1620	0.970	100
68N	68	G, J, K	25	250	1620	1.120	100
72N	72	G, J, K	25	250	1620	1.550	100
82N	82	J, K	25	250	1620	1.550	100
R10	100	J, K	25	250	1620	2.600	100
R12	120	J, K	25	250	1520	2.700	90
R15	150	J, K	25	250	1200	2.900	80

Test Conditions:

Inductance (L): Agilent4287A+Agilent16197A or equivalent, 50mV

Direct Current Resistance (DCR): HIOKI 3540 or equivalent

Temperature rise current (Ir): Electric Power, Electric current meter, Thermometer

Irms: Based on temperature rise (ΔT : 20 °C TYP.)

Operating Temperature: -40°C to +125°C Storage Temperature: -10°C to +40°C, 70% RH max.

OPTIONS & PART IDENTIFICATION:

AISC-0402 - -

Inductance Code
Please refer to the electrical specification table

Tolerance Code

S: $\pm 0.3nH$
G: $\pm 2\%$
J: $\pm 5\%$
K: $\pm 10\%$

Packaging
T: Tape and Reel (10kpcs/reel)

Ceramic Wire Wound Inductors

AISC-0402

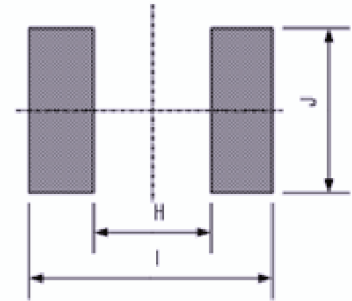
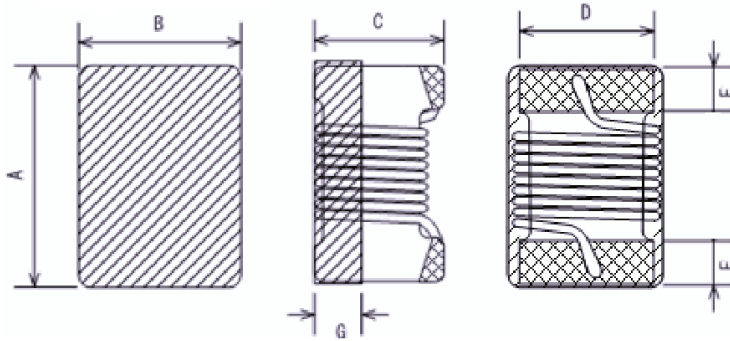
 RoHS / RoHS II Compliant



1.19 x 0.64 x 0.66mm

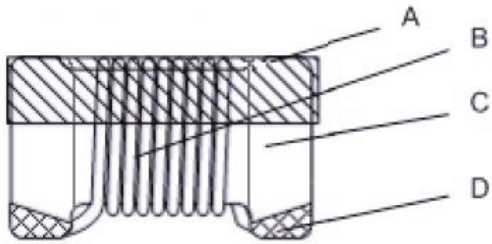
OUTLINE DRAWING:

Recommended Land Pattern



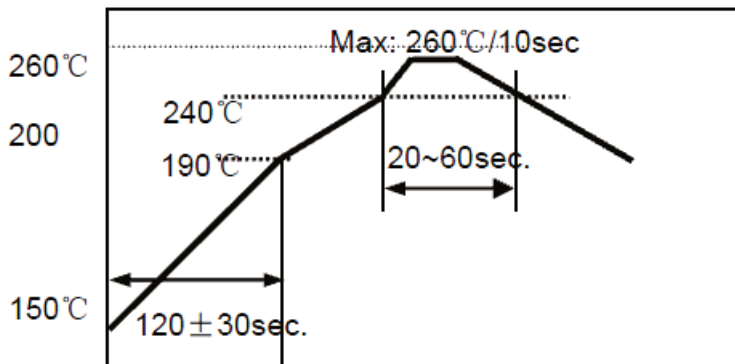
A Max.	B Max.	C Max.	D REF.	E REF.	G REF.	H REF.	I REF.	J REF.
1.19	0.64	0.66	0.5	0.2	0.2	0.5	1.2	.065

Materials



No.	Components	Material
A	Coating	Ultraviolet epoxy resin
B	Wire	Polyurethane system enameled copper wire
C	Core	Ceramic
D	Electrodes	Mo-Mn with Ni and Gold plating

REFLOW PROFILE



- Δ 1~2 °C/sec. Ramp
- Δ Pre-heating: 150~190°C/120±30 sec.
- Δ Time above 240°C: 20~60sec
- Δ Peak temperature: 260°C Max./10sec.
- Δ Solder paste: Sn/3.0Ag/0.5Cu
- Δ Max.2 times for re-flowing

Ceramic Wire Wound Inductors

AISC-0402

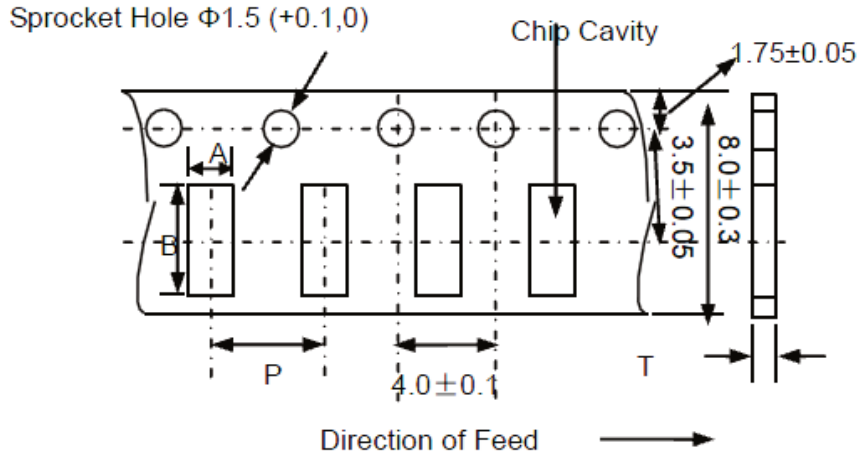
 RoHS / RoHS II Compliant



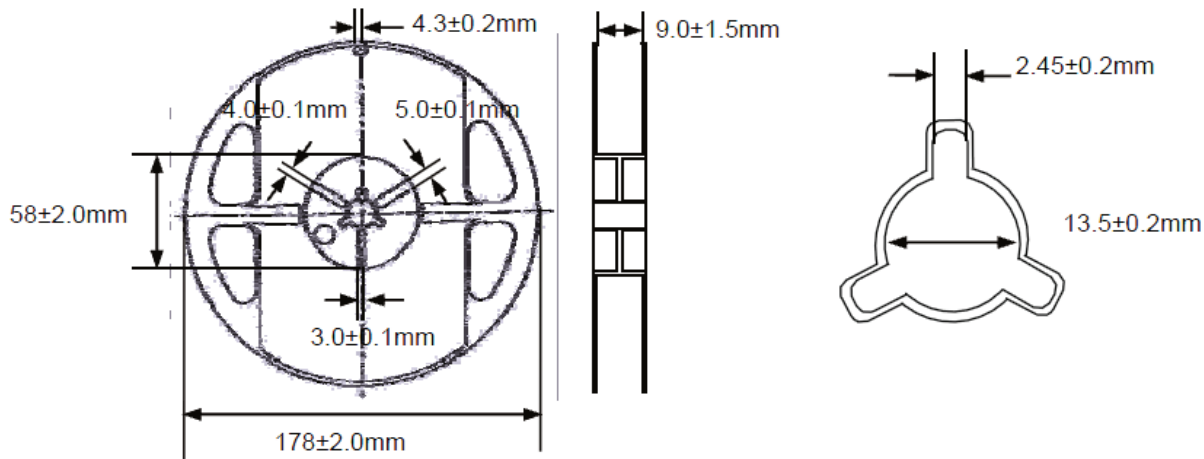
1.19 x 0.64 x 0.66mm

TAPE & REEL:

T= tape and reel (10,000pcs/reel)



A	B	P	T max.
0.75±0.1	1.32±0.1	2.0±0.05	0.8



Dimension: mm

ATTENTION: Abracon Corporation's products are COTS – Commercial-Off-The-Shelf products; suitable for Commercial, Industrial and, where designated, Automotive Applications. Abracon's products are not specifically designed for Military, Aviation, Aerospace, Life-dependant Medical applications or any application requiring high reliability where component failure could result in loss of life and/or property. For applications requiring high reliability and/or presenting an extreme operating environment, written consent and authorization from Abracon Corporation is required. Please contact Abracon Corporation for more information.

ABRACON IS
ISO9001:2008
CERTIFIED



Visit www.abracon.com for Terms & Conditions of Sale
30332 Esperanza, Rancho Santa Margarita, California 92688
tel 949-546-8000 | fax 949-546-8001 | www.abracon.com

Revised: 07.29.14

X-ON Electronics

Largest Supplier of Electrical and Electronic Components

Click to view similar products for [Abracon](#) manufacturer:

Other Similar products are found below :

[AISC-0805-R0022J-T](#) [AWSCR-4.00CP-T](#) [ASEMB-26.000MHZ-L-T](#) [ABLNO-V-96.000MHZ](#) [ARRSN5-868.000MHz](#) [ASDMB-50.000MHZ-XY-T](#) [ASEMPLP- ADAPTER-KIT](#) [ASFLMB-40.000MHZ-LC-T](#) [ASFLMPLV- ADAPTER-KIT](#) [ASG-D-X-A-500.000MHz](#) [ASTMLPD-24.000MHz-LJ-E-T](#) [ABLJO-V-150.000MHz](#) [ABM8G-12.000MHZ-B4Y-T3](#) [AIRD-06-101K](#) [AOCJY3-40.000MHZ](#) [AOCJY6-10.000MHz-1](#) [ASDM1-8.000MHZ-LC-T](#) [ASEMB-20.000MHZ-LC-T](#) [ASEMB-27.000MHZ-XY-T](#) [ASHEK2-32.768KHZ-LT](#) [ASVTX-13-A-26.000MHZ-D15-T](#) [AXS-5032-04-12](#) [ABBTM-2.4GHZ-EVAL](#) [ASFL1-50.000MHZ-EK-T](#) [ASDMB-50.000MHZ-LY-T](#) [AST3TQ-T-10.000MHZ-28](#) [ASV-12.288MHZ-EJS](#) [ABLS2-4.096MHZ-D4Y-T](#) [ALFT-04-5](#) [AOCTQ5-V-10.000MHz-I3-SW](#) [AOCTQ5-X-10.000MHz-M10-SW](#) [ABL-10.000MHZ-D-T](#) [ABL-16.384MHZ-B2](#) [ABLNO-150.000MHZ](#) [AIRD-01-680K](#) [AOCJY2-100.000MHz-F](#) [AOCJY2-10.000MHz](#) [AOCJY2A-10.000MHz](#) [AOCJY3-40.000MHZ-E](#) [AOCJY-38.880MHZ-F](#) [AOCJY3B-10.000MHz-E-SW](#) [ASEM1-100.000MHZ-L-C-T](#) [ASG2-D-X-A-1000.000MHz](#) [ASG-D-X-A-200.000MHz](#) [ASGTX-P-1.500GHz-1](#) [AST3TQ-40.00MHz-5](#) [ASVMPHC-ADAPTER-KIT](#) [AXS-3225-04-04](#) [AXS-3225-04-10](#) [AXS-5032-04-02](#)