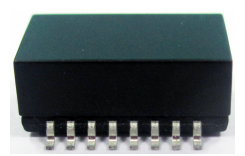


# 10/100 Base-T Single Port LAN Transformer for Auto MDI/MDIX Extended Temperature



12.70 x 9.40 x 5.40 mm

**ALAN-134**

**RoHS  
Compliant**

## FEATURES:

- Meet IEEE802.3 specification
- Extended Temperature (-40°C - +85°C)
- ROHS peak reflow temperature rating 240°C
- 1500Vrms Hi-Pot

## APPLICATIONS:

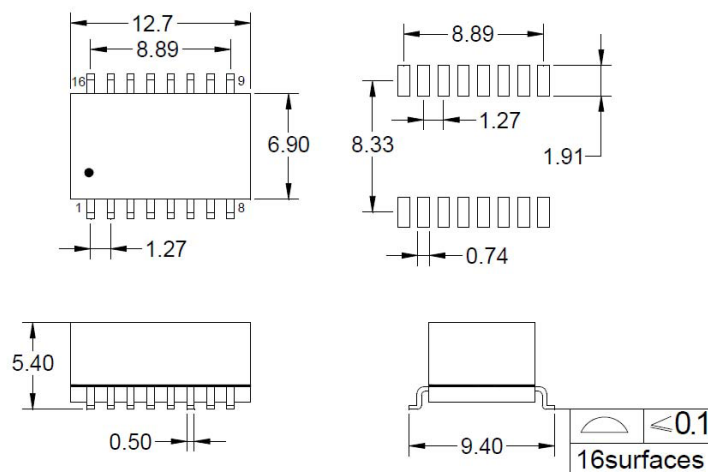
- Designed for most leading PHY IC manufacturers such as Broadcom, Marvell, Micrel, & Microsemi
- 10/100Base-T Ethernet-LAN
- VoIP
- Symmetrical Tx & RX channels for Auto MDI/MDIX capability
- Provides signal conditioning, EMI suppression and signal isolation.
- Hubs/Switches/Routers/Servers/NIC Cards

## STANDARD SPECIFICATIONS:

Parameters	Minimum	Typical	Maximum	Units	Notes
Operating Temperature	-40		+85	°C	
Storage Temperature	-40		+85	°C	
Turn Ratio (± 2%)		1CT:1CT			
Inductance (OCL)	350			μH	100KHz/0.1V@8mA
Leakage Inductance (LL)			0.5	μH	100KHz/0.1V
Cw/w		30		pF	100KHz/0.1V
DC Resistance			1.2	Ω	
Insertion Loss			-1.0	dB	0.3-100MHz
Return Loss	-18			dB	2-30MHz
	-14.4				40MHz
	-13.1				50MHz
	-12				60-80MHz
Cross Talk	-55			dB	0.3MHz
	-45				30MHz
	-40				60MHz
	-33				100MHz
Differential to Common Mode Rejection	-30			dB	1-100MHz
Common Mode Rejection	-37			dB	1-60MHz
	-25				60-200MHz
Hi-Pot	1500Vrms				

## OUTLINE DRAWING:

### Recommended Land Pattern



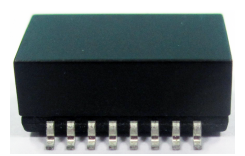
Dimensions: inch/mm (Unless otherwise specified, tolerances are ± 0.10/0.25)

ABRACON IS  
ISO9001:2008  
CERTIFIED

**ABRACON**<sup>®</sup>  
The Power of Linking Together

2 Faraday, Suite# B | Irvine | CA 92618 Revised: 03.25.15  
Ph. 949.546.8000 | Fax. 949.546.8001  
Visit [www.abracon.com](http://www.abracon.com) for Terms and Conditions of Sale

# 10/100 Base-T Single Port LAN Transformer for Auto MDI/MDIX Extended Temperature

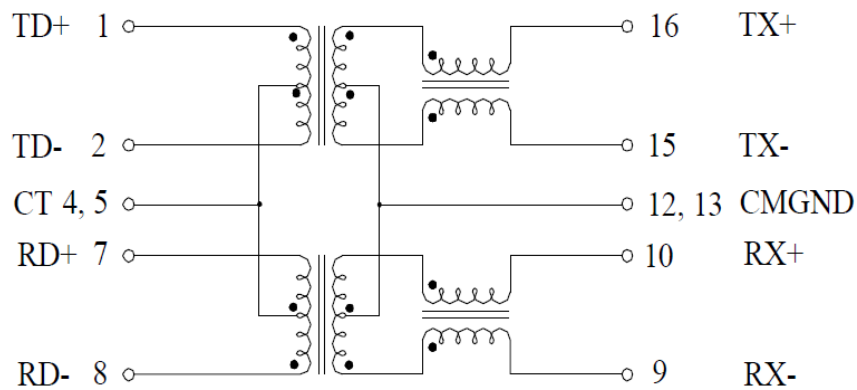


12.70 x 9.40 x 5.40 mm

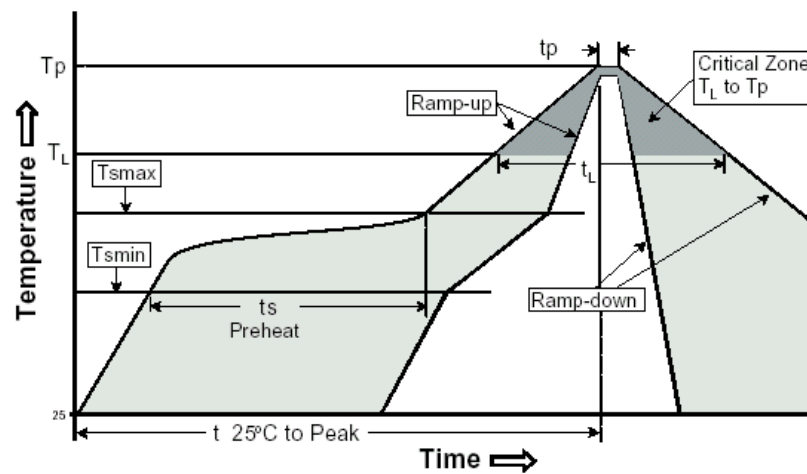
ALAN-134

RoHS  
Compliant

## SCHEMATIC:

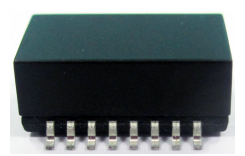


## REFLOW PROFILE:



Profile Feature	Pb-Free Assembly
Average Ramp-Up Rate ( $T_{smax}$ to $T_p$ )	3°C /second max.
Preheat -Temperature Min ( $T_{smin}$ ) -Temperature Max ( $T_{smax}$ ) -Time ( $t_{smin}$ to $t_{smax}$ )	150°C 200°C 60-120 seconds
<b>Time maintained above:</b> -Temperature ( $T_L$ ) -Time ( $t_L$ )	217°C 60-150 seconds
Peak/Classification Temperature ( $T_p$ )	240±5°C
Time within 5°C of actual Peak Temperature ( $t_p$ )	20-40 seconds
Ramp-Down Rate	6°C /seconds max
Time 25°C to Peak Temperature	8 minutes max.

# 10/100 Base-T Single Port LAN Transformer for Auto MDI/MDIX Extended Temperature



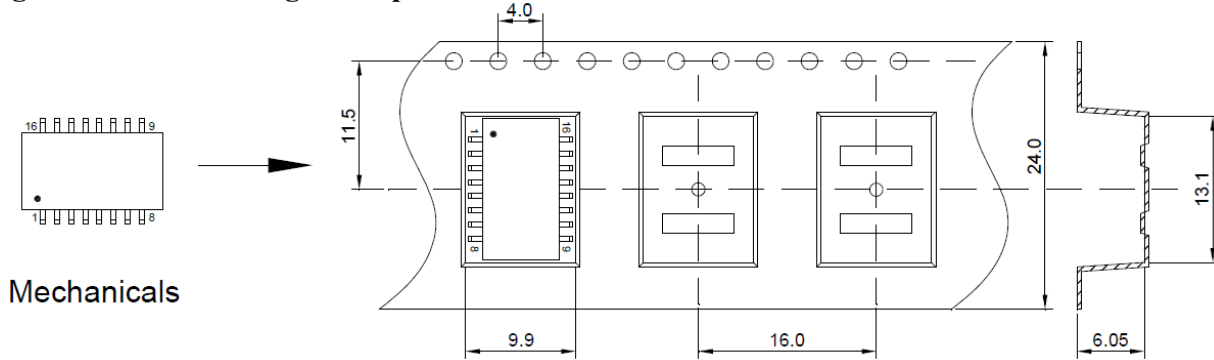
12.70 x 9.40 x 5.40 mm

ALAN-134

RoHS  
Compliant

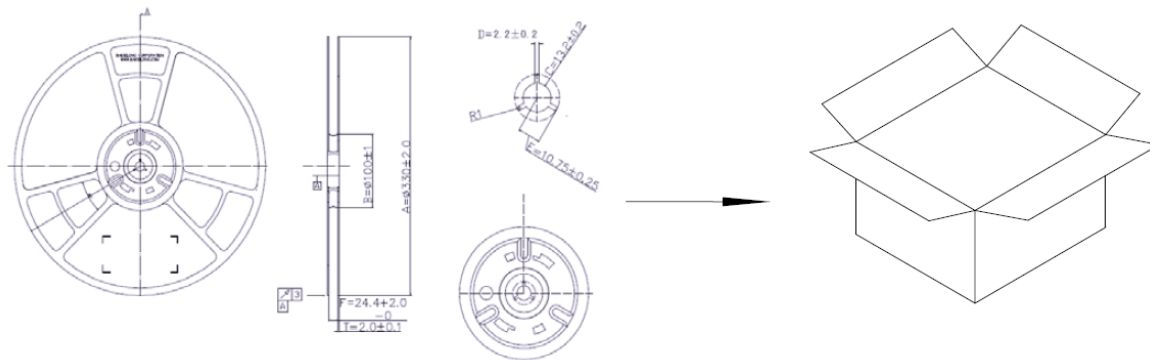
## TAPE & REEL:

**Packing Option I:** 700 pcs / reel  
**Weight:** 0.7 grams / pcs

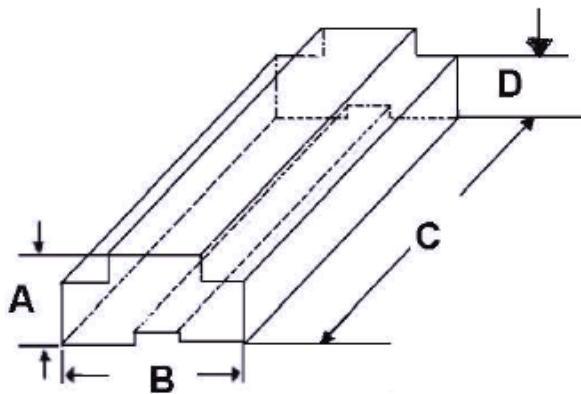


Mechanicals

Tape & Reel



**Packing Option II:** 36 pcs / tube  
**Weight:** 0.7 grams / pcs



A	B	C	D
9.20	13.70	485.0	6.0

Dimensions: mm

**ATTENTION:** Abracon Corporation's products are COTS – Commercial-Off-The-Shelf products; suitable for Commercial, Industrial and, where designated, Automotive Applications. Abracon's products are not specifically designed for Military, Aviation, Aerospace, Life-dependant Medical applications or any application requiring high reliability where component failure could result in loss of life and/or property. For applications requiring high reliability and/or presenting an extreme operating environment, written consent and authorization from Abracon Corporation is required. Please contact Abracon Corporation for more information.

ABRACON IS  
ISO9001:2008  
CERTIFIED

**ABRACON**<sup>®</sup>  
The Power of Linking Together

2 Faraday, Suite# B | Irvine | CA 92618 **Revised: 03.25.15**  
Ph. 949.546.8000 | Fax. 949.546.8001  
Visit [www.abracon.com](http://www.abracon.com) for Terms and Conditions of Sale

## X-ON Electronics

Largest Supplier of Electrical and Electronic Components

*Click to view similar products for [Audio Transformers](#) / [Signal Transformers](#) category:*

*Click to view products by [ABRACON](#) manufacturer:*

Other Similar products are found below :

[CX2041NLT](#) [MGPWT-00449-P](#) [PE-64961](#) [H1302FNLT](#) [H5008FNL](#) [H5012FNL](#) [H5020FNLT](#) [H5077NLT](#) [H5084FNLT](#)  
[B78476A9558A003](#) [1812WBT2-4](#) [1879479-1](#) [HX2260FNL](#) [HX5014FNL](#) [EX2024FNL](#) [FL1066](#) [T1137NLT](#) [T3012NL](#) [PE-65812FNL](#) [PE-65848FNLT](#) [H1174FNL](#) [H1302FNL](#) [H5015FNL](#) [H5019EFNL](#) [H5062FNLT](#) [CX2047LNL](#) [MGPWT-00059-P](#) [MGPWT-00266-P](#) [MGPWT-00278-P](#) [MGPWT-00431-P](#) [TTC-100](#) [TTC-143-H](#) [TTC-5032-1](#) [BX1194WNLT](#) [HX1234NLT](#) [HX5008FNLT](#) [HX5019FNL](#) [HX5084NL](#) [3-1879385-5](#) [TX1263NLT](#) [4-1879391-0](#) [T1142NL](#) [HX6101FNL](#) [HX5084FNL](#) [HX1148NL](#) [HX5020FNLT](#) [HX5014FNLT](#) [T1124NL](#)  
[1879732-1](#) [2-1879391-5](#)