

10G Base-T, Single, LAN Transformer, w/ PoE, 3 Wires

ALAN-2401

RoHS/RoHS II Compliant



17.50 x 15.60 x 5.40mm

FEATURES:

- Meet IEEE802.3 specification
- Power Over Ethernet(PoE)IEEE802.3at compliant performance
- Extended Temperature (-40°C - +85°C)
- ROHS peak reflow temperature rating 245°C
- 1500Vrms Hi-Pot

APPLICATIONS:

- Designed for most leading PHY IC manufacturers such as Broadcom, Marvell, Micrel, & Microsemi
- 10G Ethernet-LAN
- PoE Capabilities
- Provides signal conditioning, EMI suppression and signal isolation.
- Hubs/Switches/Routers/Servers/NIC Cards

STANDARD SPECIFICATIONS:

Key Electrical Specifications @ 25°C

| Parameters | Minimum | Typical | Maximum | Units | Notes |
|---------------------------------------|--|---------|---------|-------|-----------------|
| Operating Temperature | 0 | | +70 | °C | |
| Storage Temperature | -40 | | +85 | °C | |
| Turn Ratio (± 3%) | | 1CT:1CT | | | |
| Inductance (OCL) | 120 | | | μH | 100KHz/0.1V@8mA |
| Leakage Inductance (LL) | | | 0.5 | μH | 100KHz/0.1V |
| Cw/w | | | 30 | pF | 100KHz/0.1V |
| DC Resistance | | | 1.2 | Ω | |
| Insertion Loss | | | -1.2 | dB | 1- 400MHz |
| Return Loss | -18 | | | dB | 1- 40MHz |
| | -17+10log(F/40MHz) | | | | 40-500MHz |
| Cross Talk | | -40 | | dB | 1-100MHz |
| | | -30 | | | 100-500MHz |
| CM-DM Rejection Ratio | | -30 | | | 1-250MHz |
| | | -22 | | | 250-500MHz |
| Differential to Common Mode Rejection | -30 | | | dB | 1-100MHz |
| Common Mode Rejection | -30 | | | dB | 1-100MHz |
| PoE Current Capacity | | | 350 | mA | |
| Hi-Pot | 1500Vrms/0.5mA/60Sec or 1650Vrms/0.5mA/2Sec | | | | |

10G Base-T, Single, LAN Transformer, w/ PoE, 3 Wires

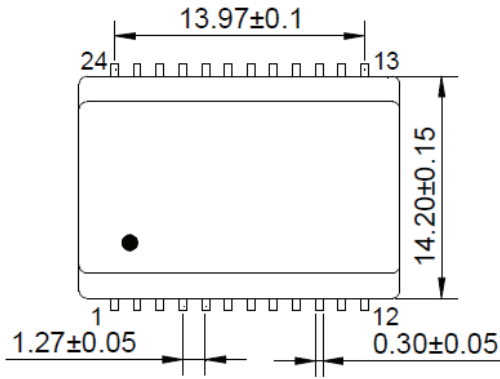
ALAN-2401

RoHS/RoHS II Compliant

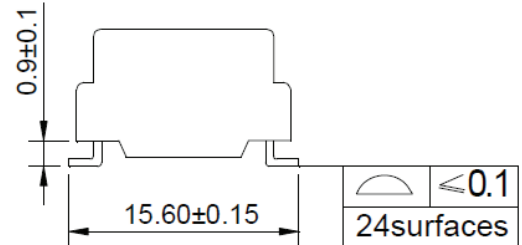
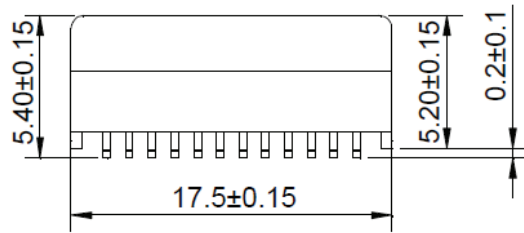
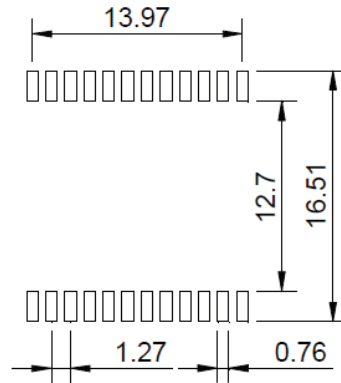


17.50 x 15.60 x 5.40mm

OUTLINE DIMENSIONS:

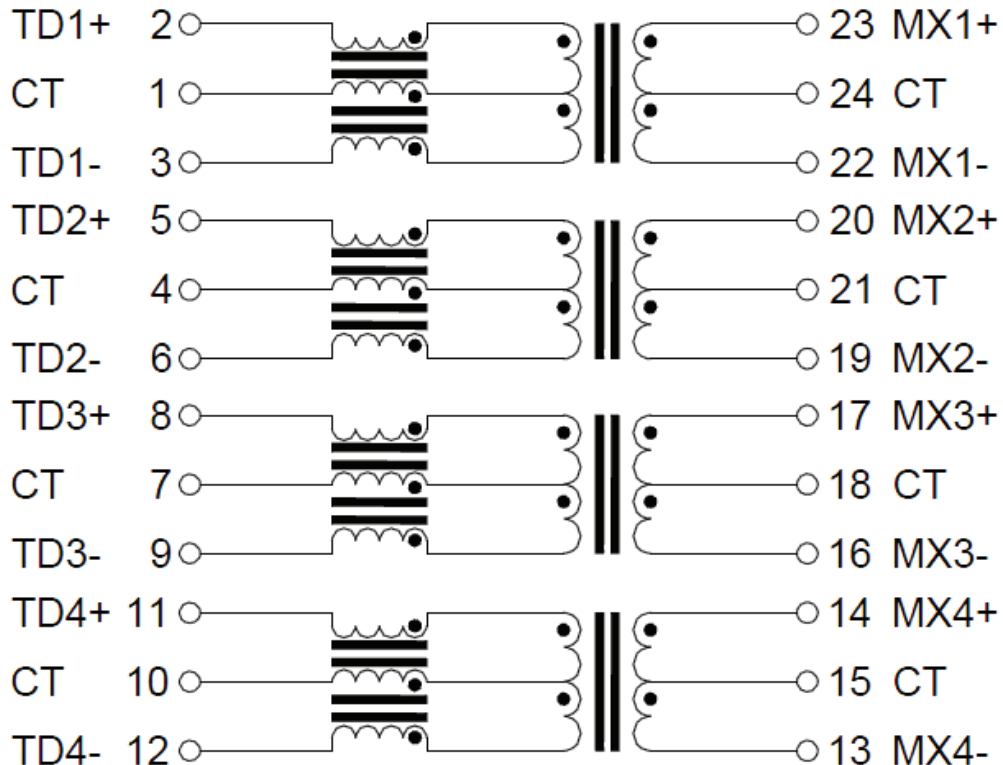


Recommended Land Pattern



Dimensions: mm (Unless otherwise specified, tolerances are ±0.25)

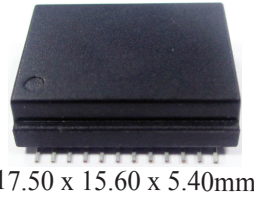
SCHEMATICS



10G Base-T, Single, LAN Transformer, w/ PoE, 3 Wires

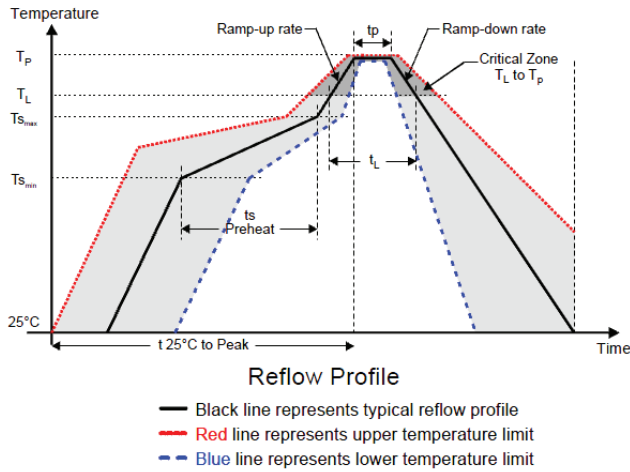
ALAN-2401

RoHS/RoHS II Compliant



17.50 x 15.60 x 5.40mm

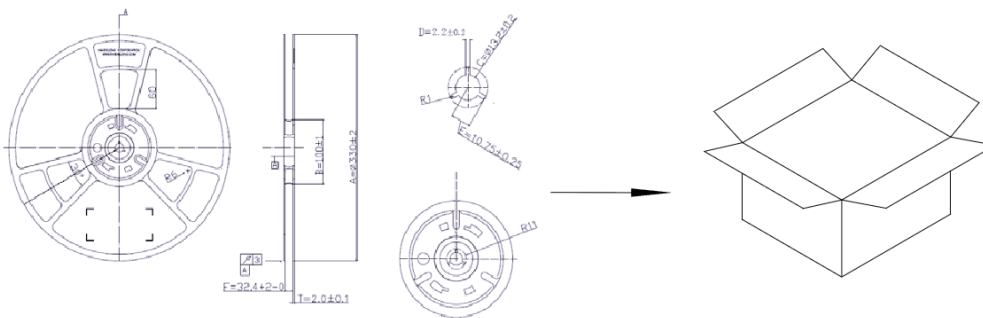
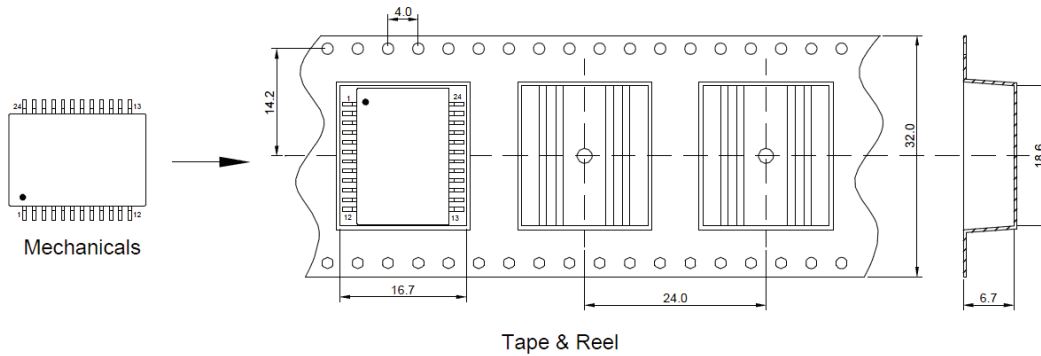
REFLOW PROFILE:



| Profile Feature | Pb-Free Assembly |
|---|------------------|
| Average Ramp-Up Rate (Ts _{max} to Tp) | 3°C /second max. |
| Preheat | |
| -Temperature Min (Ts _{min}) | 150°C |
| -Temperature Max (Ts _{max}) | 200°C |
| -Time (ts _{min} to ts _{max}) | 60-120 seconds |
| Time maintained above: | |
| -Temperature (TL) | 217°C |
| -Time (tL) | 60-150 seconds |
| Peak/Classification Temperature (Tp) | 245+0/-5°C |
| Time within 5°C of actual Peak Temperature (tp) | 20-40 seconds |
| Ramp-Down Rate | 6°C /seconds max |
| Time 25°C to Peak Temperature | 8 minutes max. |

TAPE & REEL:

Packing : 400 pcs / reel
Weight 2.1 grams / pcs



Dimensions: mm

ATTENTION: Abracon Corporation's products are COTS – Commercial-Off-The-Shelf products; suitable for Commercial, Industrial and, where designated, Automotive Applications. Abracon's products are not specifically designed for Military, Aviation, Aerospace, Life-dependant Medical applications or any application requiring high reliability where component failure could result in loss of life and/or property. For applications requiring high reliability and/or presenting an extreme operating environment, written consent and authorization from Abracon Corporation is required. Please contact Abracon Corporation for more information.

ABRACON IS
ISO 9001:2008
CERTIFIED



2 Faraday, Suite# B | Irvine | CA 92618 **Revised: 03.24.15**
 Ph. 949.546.8000 | Fax. 949.546.8001
 Visit www.abracon.com for Terms and Conditions of Sale

X-ON Electronics

Largest Supplier of Electrical and Electronic Components

Click to view similar products for [Audio Transformers / Signal Transformers](#) category:

Click to view products by [ABRACON](#) manufacturer:

Other Similar products are found below :

[CX2041NLT](#) [MGPWT-00449-P](#) [PE-64961](#) [H1302FNLT](#) [H5008FNL](#) [H5012FNL](#) [H5020FNLT](#) [H5077NLT](#) [H5084FNLT](#)
[B78476A9558A003](#) [1812WBT2-4](#) [1879479-1](#) [HX2260FNL](#) [HX5014FNL](#) [EX2024FNL](#) [FL1066](#) [T1137NLT](#) [T3012NL](#) [PE-65812FNL](#) [PE-65848FNLT](#) [H1174FNL](#) [H1302FNL](#) [H5015FNL](#) [H5019EFNL](#) [H5062FNLT](#) [CX2047LNL](#) [MGPWT-00059-P](#) [MGPWT-00266-P](#) [MGPWT-00278-P](#) [MGPWT-00431-P](#) [TTC-100](#) [TTC-143-H](#) [TTC-5032-1](#) [BX1194WNLT](#) [HX1234NLT](#) [HX5008FNLT](#) [HX5019FNL](#) [HX5084NL](#) [3-1879385-5](#) [TX1263NLT](#) [4-1879391-0](#) [T1142NL](#) [HX6101FNL](#) [HX5084FNL](#) [HX1148NL](#) [HX5020FNLT](#) [HX5014FNLT](#) [T1124NL](#)
[1879732-1](#) [2-1879391-5](#)