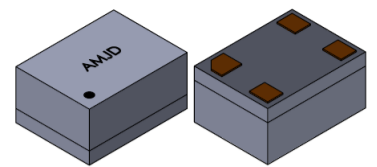


FREQUENCY SELECTABLE MEMS OSCILLATORS



AMJD-SERIES



ESD Sensitive



RoHS/RoHS II Compliant

1.6 x 1.2 x 0.84 mm
2.0 x 1.6 x 0.84 mm
2.5 x 2.0 x 0.84 mm
3.2 x 2.5 x 0.85 mm

MSL = MSL 1

FEATURES

- Output selectable between 2 frequencies
- Compact footprint as small as 1.6x1.2mm
- Low 0.84mm profile
- Low power consumption
- 1MHz to 100MHz output frequency range
- Short lead time for new frequencies
- Wide -40°C to +85°C operating temperature range
- Low operating current: 3mA IDD (typ)

APPLICATIONS

- Wearables
- Internet of Things (IoT)
- Industrial IoT
- Audio and video
- Drones and robotics

ELECTRICAL SPECIFICATIONS

Electrical characteristics unless otherwise indicated, $V_{DD} = 1.8V -5\%$ to $3.3V +10\%$, temperature range $-40^{\circ}C$ to $85^{\circ}C$

| Parameters | Min. | Typ. | Max. | Units | Note |
|-----------------------------------|------------------------|----------------|----------------|-------------|---|
| Frequency Range | 1.0000 | | 100.0000 | MHz | |
| Power Supply Voltage (V_{DD}) | 1.71 | | 3.63 | V | |
| Current Consumption (I_{DD}) | | 3.0 | | mA | $f_{out} = 27MHz, V_{DD} = 1.8V,$ No Load |
| Operating Temperature Range | -40 | | +85 | $^{\circ}C$ | See Options |
| Storage Temperature | -55 | | +150 | $^{\circ}C$ | |
| All Inclusive Frequency Stability | -25 | | +25 | ppm | Options "D" or "F" |
| | -50 | | +50 | | Options "E" or "G" |
| Aging | -5 | | +5 | ppm | 1 st year @25°C |
| | -1 | | +1 | | Per year after first year |
| Duty Cycle | 45 | | 55 | % | |
| Output Logic Levels | Logic High V_{OH} | $0.8 * V_{DD}$ | | V | Std Drive option: I = 3mA |
| | Logic Low V_{OL} | | $0.2 * V_{DD}$ | | High Drive option: I = 6 mA |
| Input Logic Levels | Logic High V_{IH} | $0.7 * V_{DD}$ | | V | Std Drive option: I = -3mA |
| | Logic Low V_{IL} | | $0.3 * V_{DD}$ | | High Drive option: I = -6 mA |
| Enable Pull-Up Resistor | | 300 | | k Ω | |
| Power Supply Ramp (t_{PU}) | 0.1 | | 100 | ms | Time to 90% targeted V_{DD} |
| Start-up Time (t_{SU}) | | | 1.3 | ms | From 90% V_{DD} to valid clock output, @ 25°C |

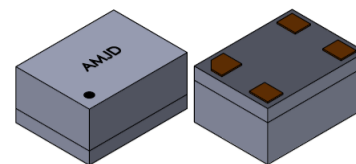


5101 Hidden Creek Ln Spicewood TX 78669
Phone: 512-371-6159 | Fax: 512-351-8858
For terms and conditions of sales, please visit:
www.abracon.com

REVISED: 08.02.2018

ABRACON IS
ISO9001-2015
CERTIFIED

FREQUENCY SELECTABLE MEMS OSCILLATORS



AMJD-SERIES



ESD Sensitive



RoHS/RoHS II Compliant

1.6 x 1.2 x 0.84 mm
2.0 x 1.6 x 0.84 mm
2.5 x 2.0 x 0.84 mm
3.2 x 2.5 x 0.85 mm

MSL = MSL 1

ELECTRICAL SPECIFICATIONS

| Parameters | | min | Typ. | Max. | Units | Note |
|--|---|-----|------|------|---------|------------------------------------|
| Frequency Select Switching Time (t_{fs}) | | | 40 | | μ s | |
| Rise(T_r)/Fall (T_f) Time | High Drive 20% \leftrightarrow 80% | | 1 | 1.5 | ns | CL = 15 pF $V_{DD} = 1.8V$ |
| | | | 0.5 | 1.0 | | CL = 15 pF $V_{DD} = 2.5V/3.3V$ |
| | Std Drive 20% \leftrightarrow 80% | | 1.2 | 2.0 | | CL = 10 pF $V_{DD} = 1.8V$ |
| | | | 1.5 | 2.2 | | CL = 10 pF $V_{DD} = 2.5V/3.3V$ |
| RMS Period Jitter | $f_{out} =$ 27 MHz | | 9.5 | 11 | ps | $V_{DD} = 1.8V$ |
| | | | 7.5 | 9 | | $V_{DD} = 2.5V/3.3V$ |
| Cycle-to-Cycle Jitter (Peak) | $f_{out} =$ 27 MHz | | 50 | 70 | ps | $V_{DD} = 1.8V$ |
| | | | 35 | 60 | | $V_{DD} = 2.5V/3.3V$ |

ABSOLUTE MAXIMUM RATINGS

| Parameters | min | Typ. | Max. | Units | Note |
|-----------------------------------|-----------------------------|------|----------------|-------------|---------------------|
| Supply Voltage | -0.3 | | +4.0 | V | |
| Input Voltage | -0.3 | | $V_{DD} + 0.3$ | V | |
| Maximum Junction Temperature | | | +150 | $^{\circ}C$ | |
| Ambient Operating Temperature | -40 | | +85 | $^{\circ}C$ | Industrial |
| Ambient Operating Temperature | -20 | | +70 | $^{\circ}C$ | Extended Commercial |
| Storage Ambient Temperature Range | -55 | | +150 | $^{\circ}C$ | |
| Soldering Temperature | | +260 | | $^{\circ}C$ | 40 Sec Maximum |
| ESD Protection | 4 kV HBM, 400V MM, 2 kV CDM | | | | |

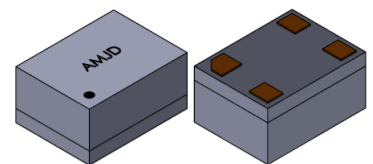


5101 Hidden Creek Ln Spicewood TX 78669
Phone: 512-371-6159 | Fax: 512-351-8858
For terms and conditions of sales, please visit:
www.abracon.com

REVISED: 08.02.2018

ABRACON IS
ISO9001-2015
CERTIFIED

FREQUENCY SELECTABLE MEMS OSCILLATORS



AMJD-SERIES



ESD Sensitive



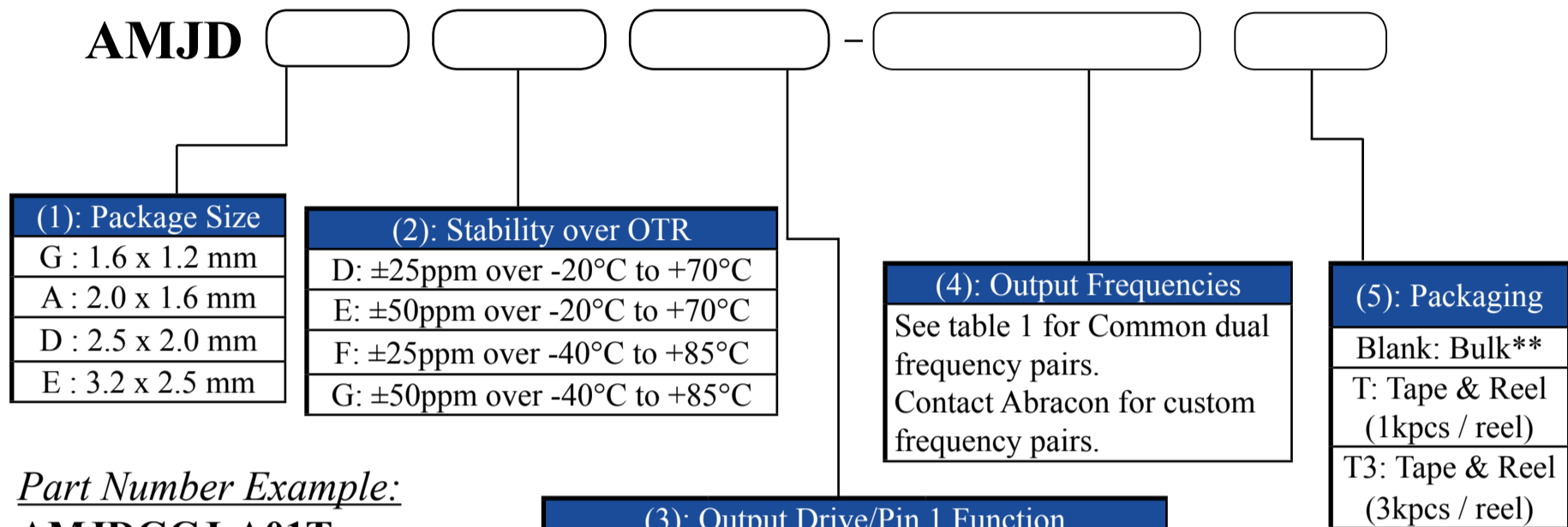
RoHS/RoHS II Compliant

1.6 x 1.2 x 0.84 mm
2.0 x 1.6 x 0.84 mm
2.5 x 2.0 x 0.84 mm
3.2 x 2.5 x 0.85 mm

MSL = MSL 1

OPTIONS AND PART IDENTIFICATION

AMJD



| (1): Package Size |
|-------------------|
| G : 1.6 x 1.2 mm |
| A : 2.0 x 1.6 mm |
| D : 2.5 x 2.0 mm |
| E : 3.2 x 2.5 mm |

| (2): Stability over OTR |
|-------------------------------|
| D: ±25ppm over -20°C to +70°C |
| E: ±50ppm over -20°C to +70°C |
| F: ±25ppm over -40°C to +85°C |
| G: ±50ppm over -40°C to +85°C |

(4): Output Frequencies
See table 1 for Common dual frequency pairs.
Contact Abracon for custom frequency pairs.

| (5): Packaging |
|--------------------------------|
| Blank: Bulk** |
| T: Tape & Reel (1kpcs / reel) |
| T3: Tape & Reel (3kpcs / reel) |

Part Number Example:
AMJDGGJ-A01T

| (3): Output Drive/Pin 1 Function | | |
|----------------------------------|--------------|------------------|
| Option | Output Drive | Pin 1 Function |
| H | Standard | Frequency Select |
| J | High | Frequency Select |

| Frequency Code | Frequency 1 | Frequency 2 | Frequency Code | Frequency 1 | Frequency 2 |
|----------------|-------------|-------------|----------------|-------------|---------------|
| A01 | 20.000 MHz | 25.000 MHz | A09 | 24.000 MHz | 48.000 MHz |
| A02 | 50.000 MHz | 25.000 MHz | A10 | 48.000MHz | 50.000MHz |
| A03 | 40.000 MHz | 80.000 MHz | A11 | 50.000 MHz | 100.000 MHz |
| A04 | 74.250 MHz | 74.1758 MHz | A12 | 75.000 MHz | 100.000 MHz |
| A05 | 25.000 MHz | 27.000 MHz | A13 | 6.16791 MHz | 6.1298496 MHz |
| A06 | 26.000 MHz | 27.000 MHz | A14 | 27.000 MHz | 32.000 MHz |
| A07 | 19.440 MHz | 25.000 MHz | A15 | 25.000 MHz | 32.000 MHz |
| A08 | 12.000 MHz | 24.000 MHz | A16 | 12.000 MHz | 48.000 MHz |

**MOQ per package:
1.6x1.2mm: 100pcs/bag
2.0x1.6mm: 100pcs/bag
2.5x2.0mm: 140 pcs/tube
3.2x2.5mm: 110 pcs/tube

For Quick turn-around programmable sample orders less than MOQ represented above:
Due to the immediate availability of stock and the qty of the order, the parts may be delivered as Cut Tape, Loose parts in Antistatic Bag or in Tube(s).

For orders equal to or greater than MOQ and less than 1000pcs:
Due to packaging, the order must be a multiple of MOQ per package size above

For orders equal to or greater than 1000pcs:
Bulk is not an option. Please refer to tape and reel packaging.

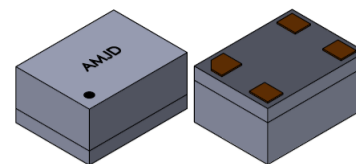


5101 Hidden Creek Ln Spicewood TX 78669
Phone: 512-371-6159 | Fax: 512-351-8858
For terms and conditions of sales, please visit:
www.abracon.com

REVISED: 08.02.2018

ABRACON IS
ISO9001-2015
CERTIFIED

FREQUENCY SELECTABLE MEMS OSCILLATORS



AMJD-SERIES



ESD Sensitive



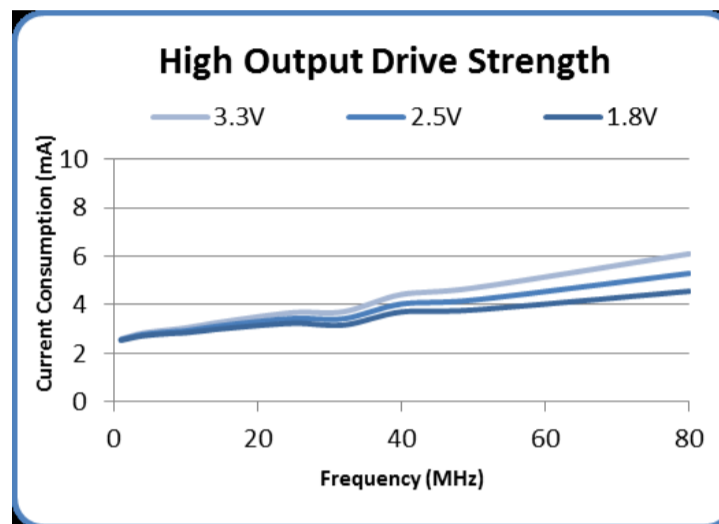
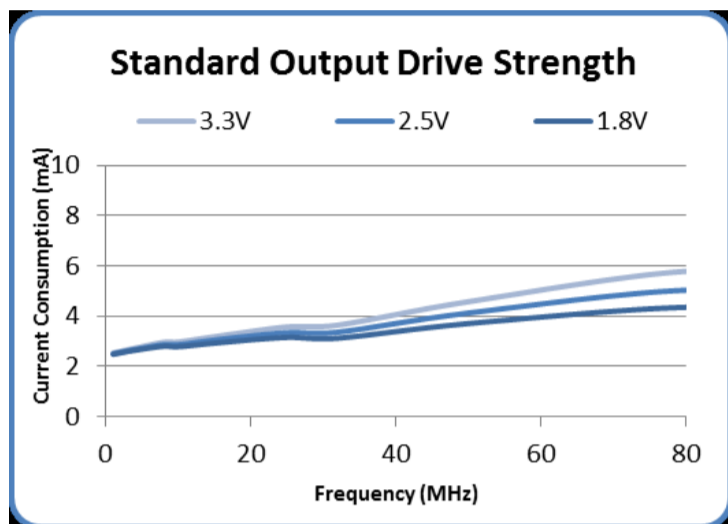
RoHS/RoHS II Compliant

MSL = MSL 1

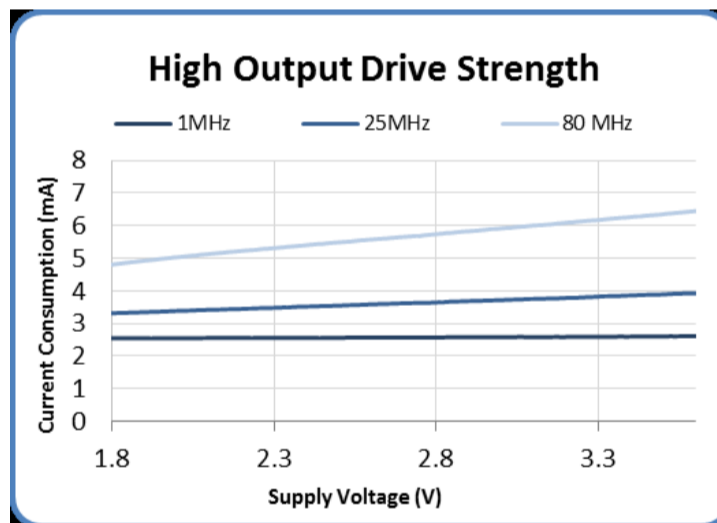
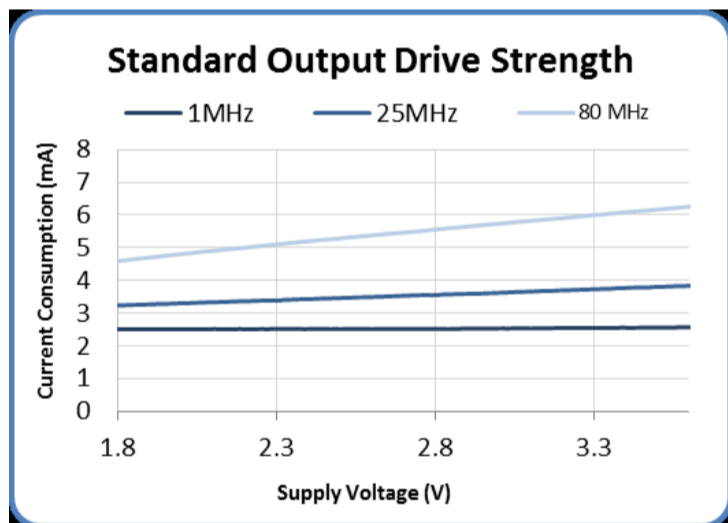
1.6 x 1.2 x 0.84 mm
2.0 x 1.6 x 0.84 mm
2.5 x 2.0 x 0.84 mm
3.2 x 2.5 x 0.85 mm

TYPICAL PERFORMANCE DATA @ 25°C ± 3°C

Current Consumption vs Frequency



Current Consumption vs Supply Voltage



PINFUNCTIONS

| Pin Number | Pin Name | Description |
|------------|-----------------|--|
| 1 | FS | Frequency Select ^{Note 1&3} : High or Open = Frequency 1 Low = Frequency 2 |
| 2 | GND | Power Supply Ground |
| 3 | Output | Oscillator Clock Output |
| 4 | V _{DD} | Power Supply ^{Note 2} |

Notes :

1. If pin 1 is high or floating, frequency 1 will be engaged on pin 3. If pin 1 is low, frequency 2 will be engaged on pin 3.
2. Bypass with 0.1 μF capacitor placed as close to V_{DD} pin as possible.
3. 300 KΩ internal pull-up resistor present on pin 1.

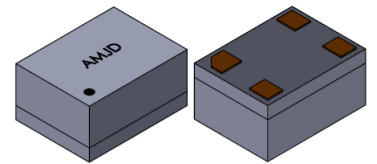


5101 Hidden Creek Ln Spicewood TX 78669
Phone: 512-371-6159 | Fax: 512-351-8858
For terms and conditions of sales, please visit:
www.abracon.com

REVISED: 08.02.2018

ABRACON IS
ISO9001-2015
CERTIFIED

FREQUENCY SELECTABLE MEMS OSCILLATORS



AMJD-SERIES



ESD Sensitive



RoHS/RoHS II Compliant

MSL = MSL 1

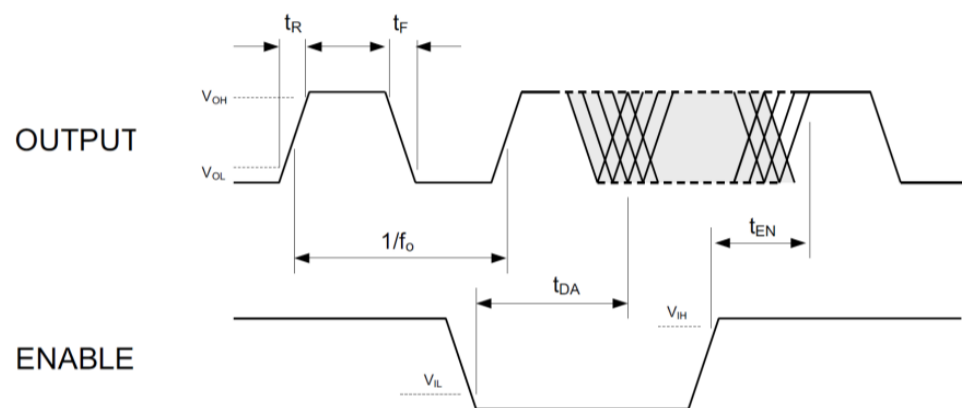
1.6 x 1.2 x 0.84 mm
2.0 x 1.6 x 0.84 mm
2.5 x 2.0 x 0.84 mm
3.2 x 2.5 x 0.85 mm

OUTPUT BUFFER OPTIONS

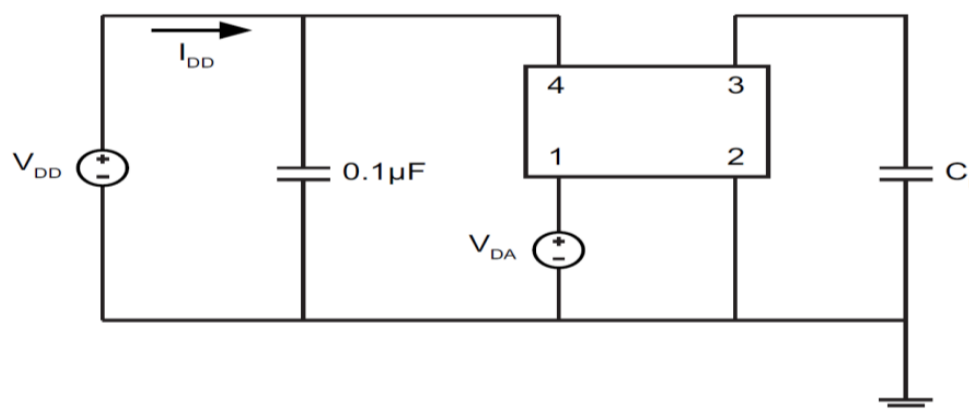
The AMJD Series is available in multiple output driver configurations. The standard-drive and high-drive deliver respective output currents of greater than 3 mA and 6 mA at 20% to 80% of the supply voltage. For loads of 15 pF or higher, the high-drive option is recommended.

DIAGRAMS

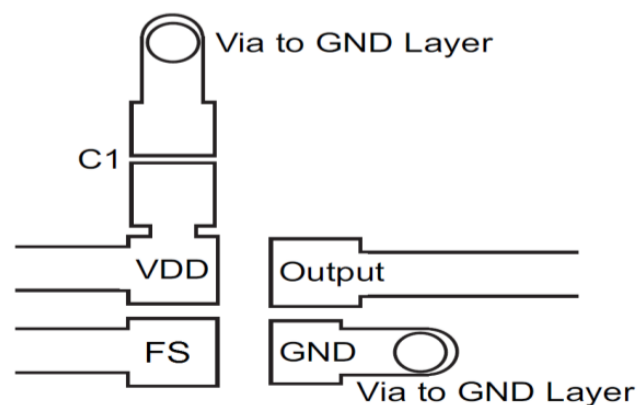
Output Waveform



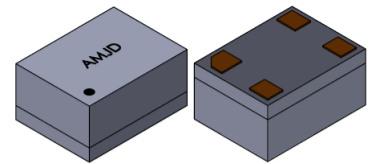
Test Circuit



Recommended Board Layout



FREQUENCY SELECTABLE MEMS OSCILLATORS



AMJD-SERIES



ESD Sensitive



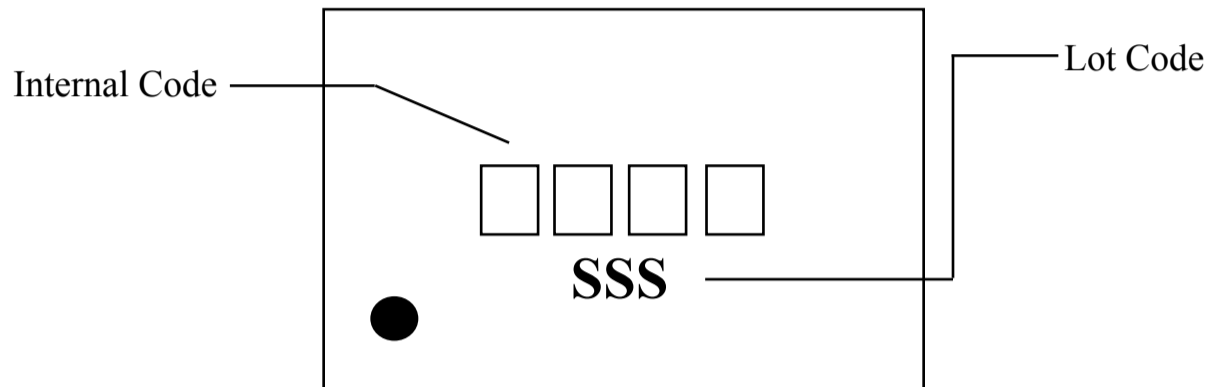
RoHS/RoHS II Compliant

1.6 x 1.2 x 0.84 mm
2.0 x 1.6 x 0.84 mm
2.5 x 2.0 x 0.84 mm
3.2 x 2.5 x 0.85 mm

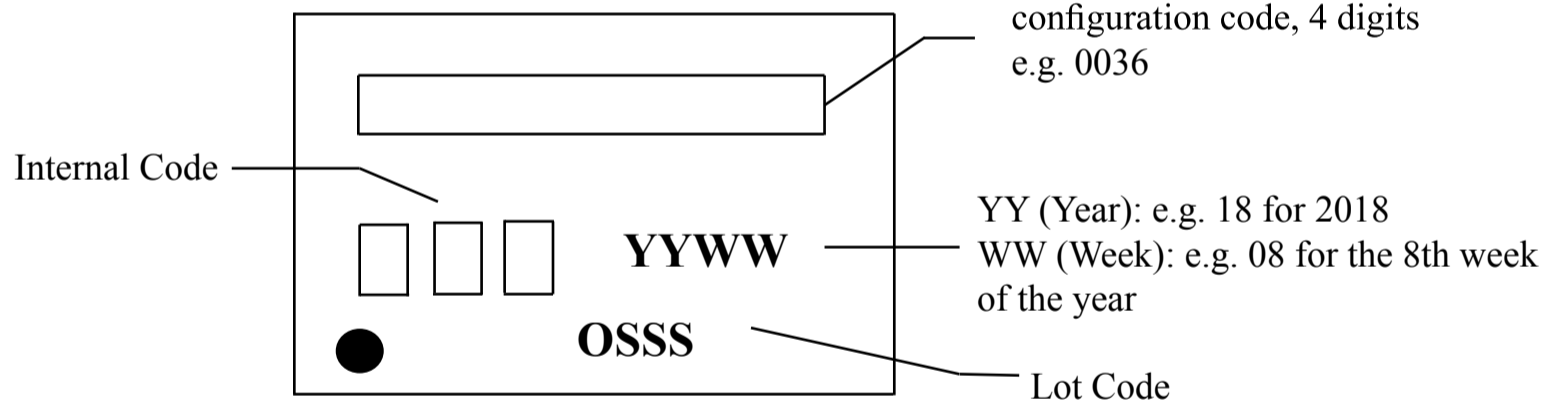
MSL = MSL 1

MARKING

1.6 mm x 1.2 mm VFLGA
2.0 mm x 1.6 mm VFLGA



2.5 mm x 2.0 mm VLGA
3.2 mm x 2.5 mm DFN



Blank: Quick turn-around programmable orders < 1000pcs

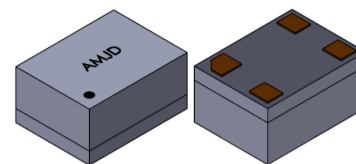
XXXX: Internal frequency configuration code, 4 digits e.g. 0036

YY (Year): e.g. 18 for 2018

WW (Week): e.g. 08 for the 8th week of the year

Lot Code

FREQUENCY SELECTABLE MEMS OSCILLATORS



AMJD-SERIES



ESD Sensitive



RoHS/RoHS II Compliant

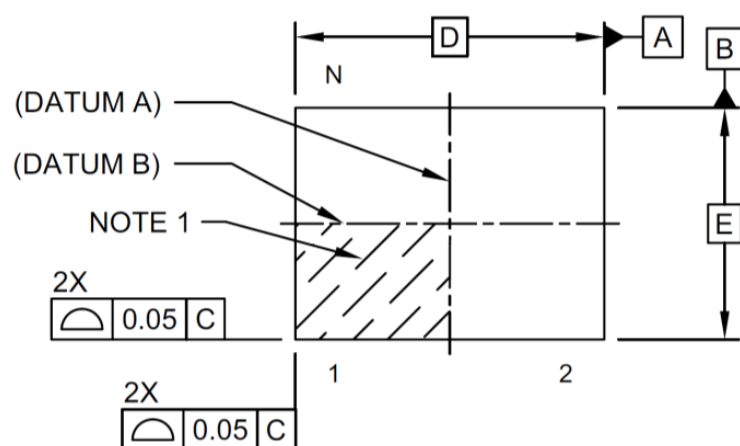
1.6 x 1.2 x 0.84 mm
2.0 x 1.6 x 0.84 mm
2.5 x 2.0 x 0.84 mm
3.2 x 2.5 x 0.85 mm

MSL = MSL 1

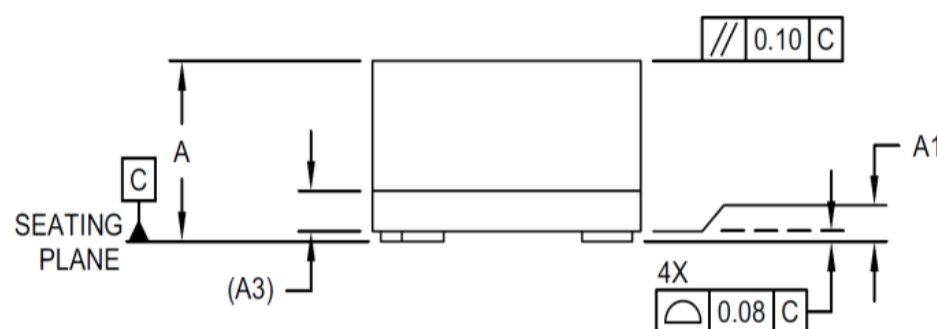
MECHANICAL DIMENSIONS

1.6 x 1.2 mm VFLGA Package Outline

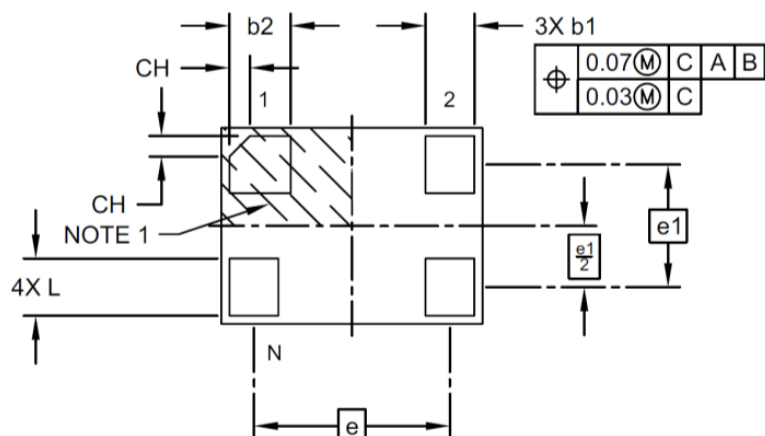
Top View



Side View



Bottom View



| Description | Marker | Dimensions (mm) |
|--------------------------------------|--------|-----------------|
| Number of Terminals | N | 4 |
| Terminal Pitch | e | 1.20 BSC |
| Terminal Pitch | e1 | 0.75 BSC |
| Overall Height | A | 0.84 ± 0.05 |
| Standoff* | A1 | .02 |
| Substrate Thickness (with Terminals) | A3 | 0.20REF |
| Overall Length | D | 1.60BSC |
| Overall Width | E | 1.20BSC |
| Terminal Width | b1 | 0.30 ± 0.05 |
| Terminal Width | b2 | 0.375 ± 0.05 |
| Terminal Length | L | 0.35 ± 0.05 |
| Terminal 1 Index Chamfer | CH | 0.125 |

*Standoff max .05 mm and min 0.00 mm

Dimensioning and tolerance per ASME Y14.5M

BSC: Basic Dimension. Theoretically exact value shown without tolerances

REF: Reference Dimension, usually without tolerance, for information purposes only

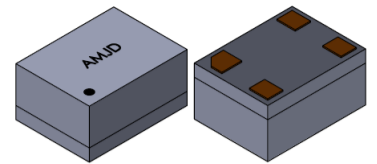


5101 Hidden Creek Ln Spicewood TX 78669
Phone: 512-371-6159 | Fax: 512-351-8858
For terms and conditions of sales, please visit:
www.abracon.com

REVISED: 08.02.2018

ABRACON IS
ISO9001-2015
CERTIFIED

FREQUENCY SELECTABLE MEMS OSCILLATORS



AMJD-SERIES



ESD Sensitive



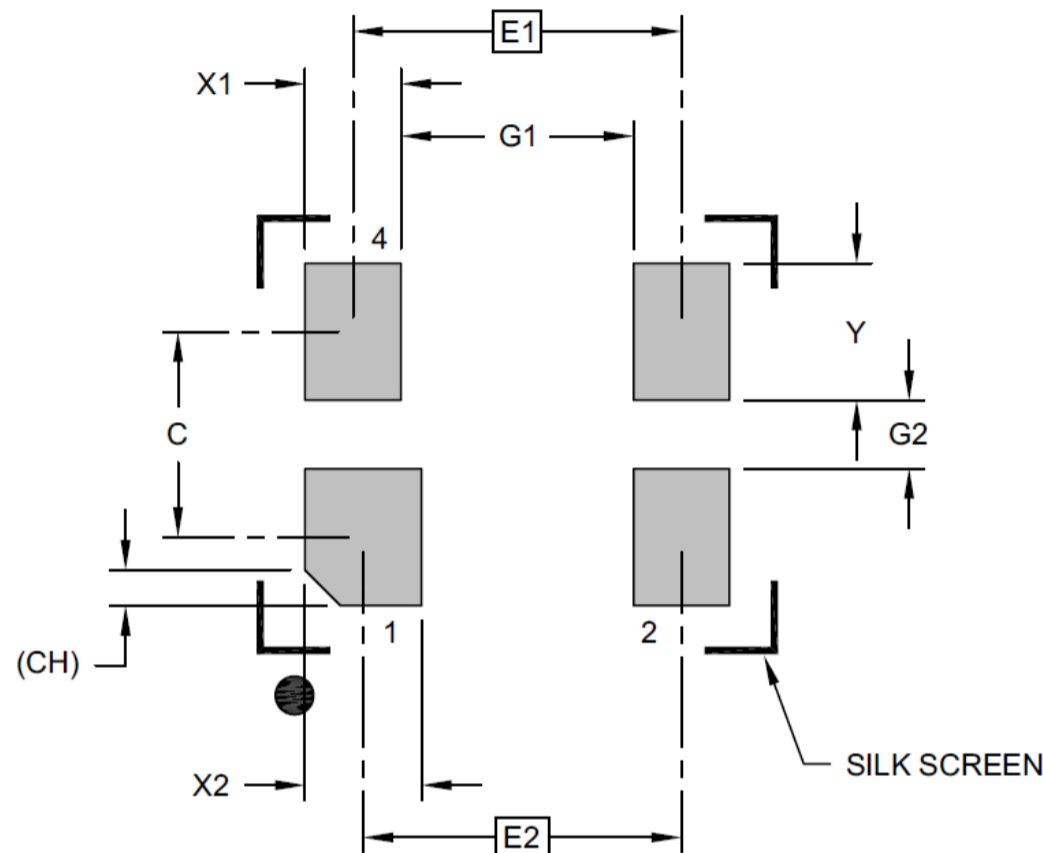
RoHS/RoHS II Compliant

1.6 x 1.2 x 0.84 mm
2.0 x 1.6 x 0.84 mm
2.5 x 2.0 x 0.84 mm
3.2 x 2.5 x 0.85 mm

MSL = MSL 1

MECHANICAL DIMENSIONS

Recommended Landing Pattern



| Description | Marker | Max | Typ | Max | Unit |
|-------------------------|--------|----------------|------|------|------|
| Contact Pitch | E1 | 1.20 BSC | | | mm |
| Contact Pitch | E2 | 1.16 BSC | | | |
| Contact Spacing | C | | 0.75 | | |
| Contact Width | X1 | | | 0.35 | |
| Contact Width | X2 | | | 0.43 | |
| Contact Pad Length | Y | | | 0.50 | |
| Space Between Contacts | G1 | 0.85 | | | |
| Space Between Contacts | G2 | 0.25 | | | |
| Contact 1 Index Chamfer | CH | 0.13 x 45° REF | | | |

Dimensioning and tolerance per ASME Y14.5M

BSC: Basic Dimension. Theoretically exact value shown without tolerances

REF: Reference Dimension, usually without tolerance, for information purposes only

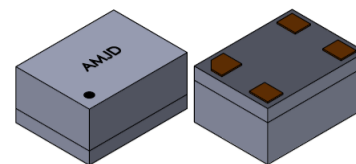


5101 Hidden Creek Ln Spicewood TX 78669
Phone: 512-371-6159 | Fax: 512-351-8858
For terms and conditions of sales, please visit:
www.abracon.com

REVISED: 08.02.2018

ABRACON IS
ISO9001-2015
CERTIFIED

FREQUENCY SELECTABLE MEMS OSCILLATORS



AMJD-SERIES



ESD Sensitive



RoHS/RoHS II Compliant

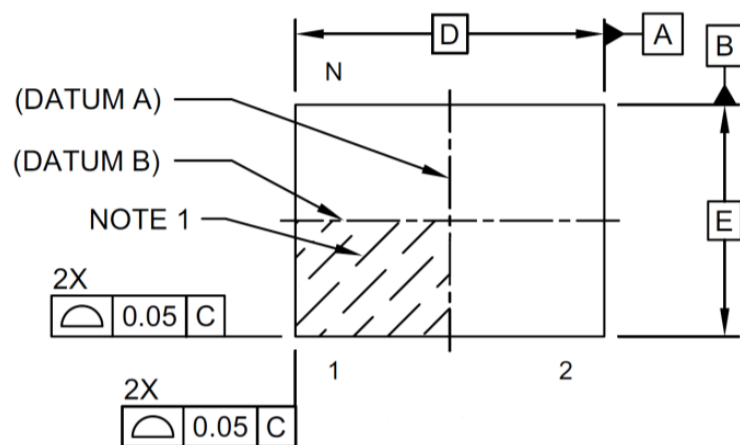
1.6 x 1.2 x 0.84 mm
2.0 x 1.6 x 0.84 mm
2.5 x 2.0 x 0.84 mm
3.2 x 2.5 x 0.85 mm

MSL = MSL 1

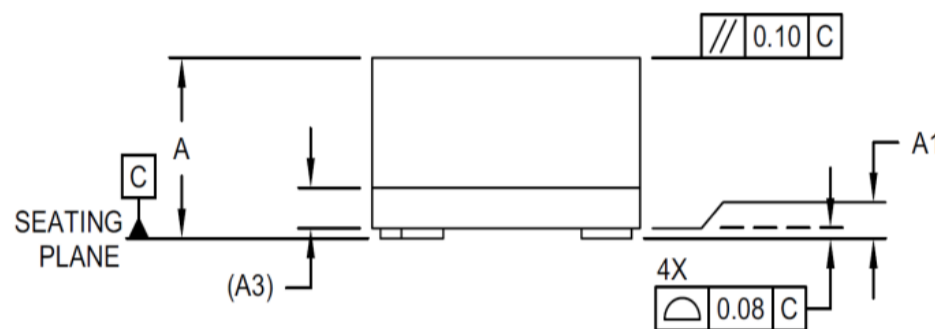
MECHANICAL DIMENSIONS

2.0 x 1.6 mm VFLGA Package Outline

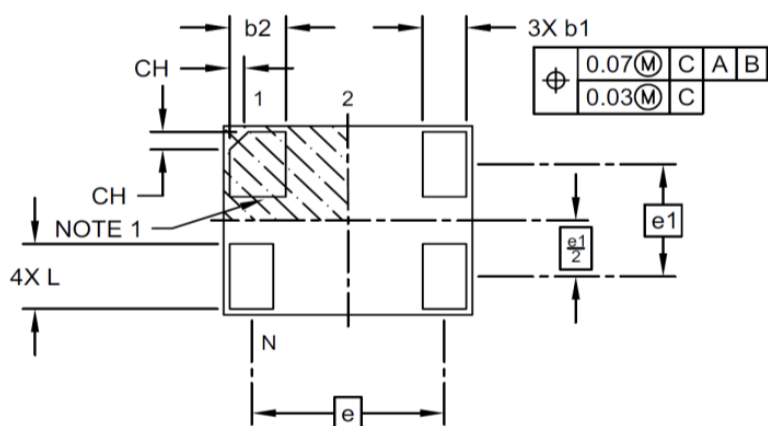
Top View



Side View



Bottom View



| Description | Marker | Dimensions (mm) |
|--------------------------------------|--------|-----------------|
| Number of Terminals | N | 4 |
| Terminal Pitch | e | 1.55 BSC |
| Terminal Pitch | e1 | 0.95 BSC |
| Overall Height | A | 0.84 ± 0.05 |
| Standoff* | A1 | .02 |
| Substrate Thickness (with Terminals) | A3 | 0.20 REF |
| Overall Length | D | 2.00 BSC |
| Overall Width | E | 1.60 BSC |
| Terminal Width | b1 | 0.35 ± 0.05 |
| Terminal Width | b2 | 0.45 ± 0.05 |
| Terminal Length | L | 0.55 ± 0.05 |
| Terminal 1 Index Chamfer | CH | 0.15 |

*Standoff max .05 mm and min 0.00 mm

Dimensioning and tolerance per ASME Y14.5M

BSC: Basic Dimension. Theoretically exact value shown without tolerances

REF: Reference Dimension, usually without tolerance, for information purposes only

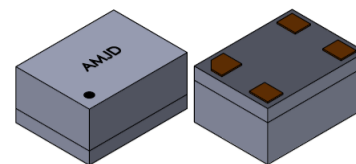


5101 Hidden Creek Ln Spicewood TX 78669
Phone: 512-371-6159 | Fax: 512-351-8858
For terms and conditions of sales, please visit:
www.abracon.com

REVISED: 08.02.2018

ABRACON IS
ISO9001-2015
CERTIFIED

FREQUENCY SELECTABLE MEMS OSCILLATORS



AMJD-SERIES



ESD Sensitive



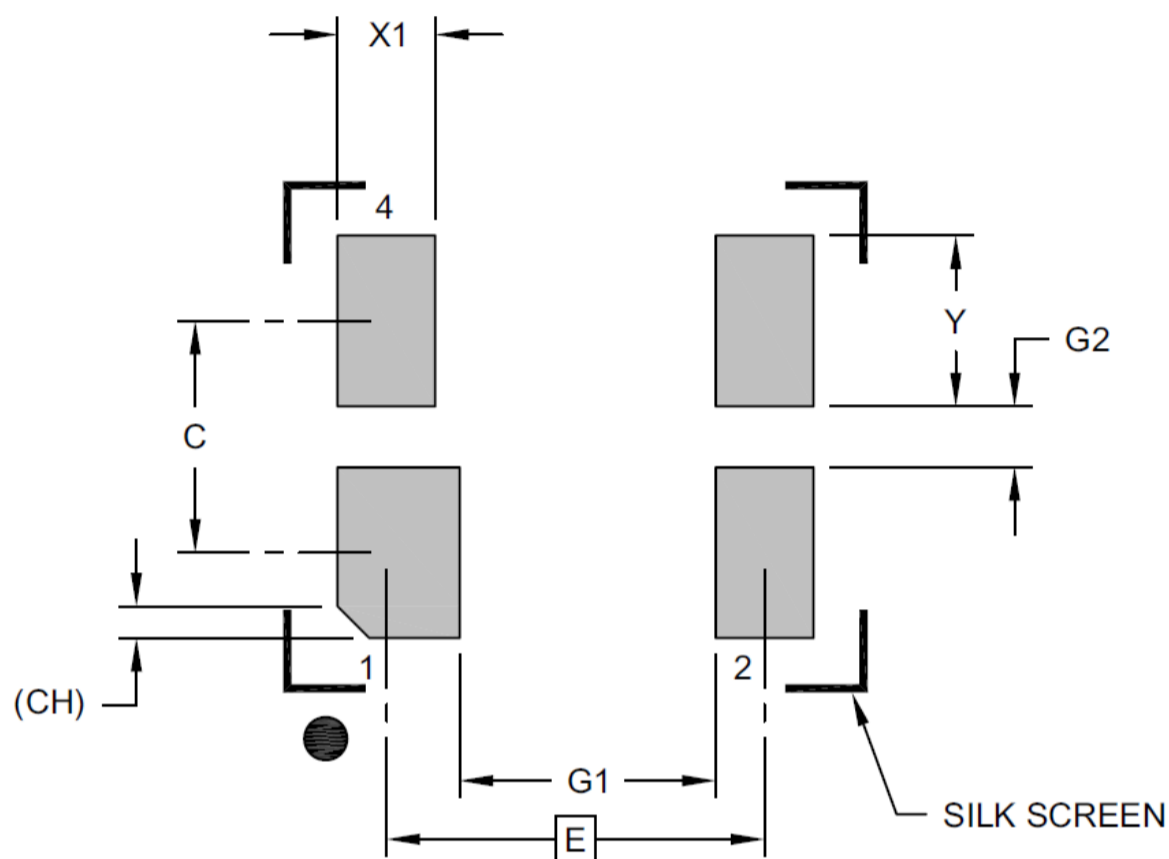
RoHS/RoHS II Compliant

1.6 x 1.2 x 0.84 mm
2.0 x 1.6 x 0.84 mm
2.5 x 2.0 x 0.84 mm
3.2 x 2.5 x 0.85 mm

MSL = MSL 1

MECHANICAL DIMENSIONS

Recommended Landing Pattern



| Description | Marker | Max | Typ | Max | Unit |
|-------------------------|--------|----------------|------|------|------|
| Contact Pitch | E2 | 1.55 BSC | | | mm |
| Contact Spacing | C | | 0.95 | | |
| Contact Width | X1 | | | 0.50 | |
| Contact Width | X2 | | | 0.40 | |
| Contact Pad Length | Y | | | 0.70 | |
| Space Between Contacts | G1 | 1.05 | | | |
| Space Between Contacts | G2 | 0.25 | | | |
| Contact 1 Index Chamfer | CH | 0.13 x 45° REF | | | |

Dimensioning and tolerance per ASME Y14.5M

BSC: Basic Dimension. Theoretically exact value shown without tolerances

REF: Reference Dimension, usually without tolerance, for information purposes only

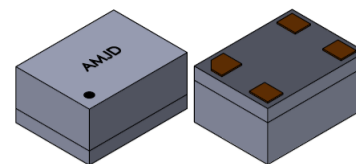


5101 Hidden Creek Ln Spicewood TX 78669
Phone: 512-371-6159 | Fax: 512-351-8858
For terms and conditions of sales, please visit:
www.abracon.com

REVISED: 08.02.2018

ABRACON IS
ISO9001-2015
CERTIFIED

FREQUENCY SELECTABLE MEMS OSCILLATORS



AMJD-SERIES



ESD Sensitive



RoHS/RoHS II Compliant

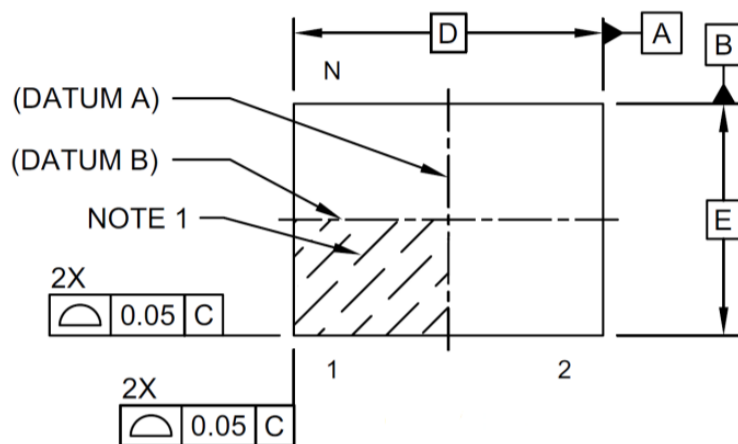
MSL = MSL 1

1.6 x 1.2 x 0.84 mm
2.0 x 1.6 x 0.84 mm
2.5 x 2.0 x 0.84 mm
3.2 x 2.5 x 0.85 mm

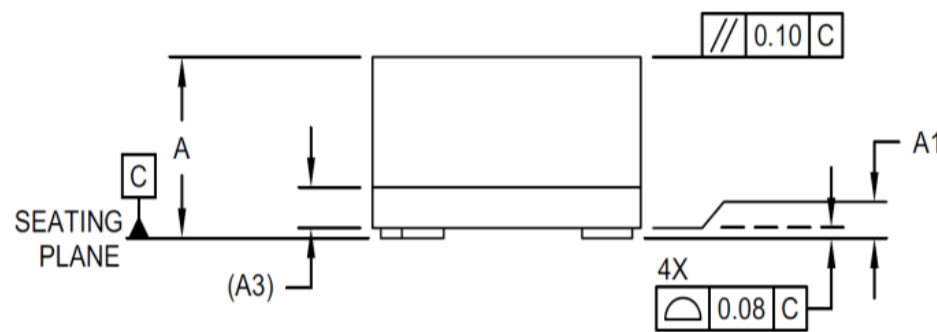
MECHANICAL DIMENSIONS

2.5 x 2.0 mm VLGA Package Outline

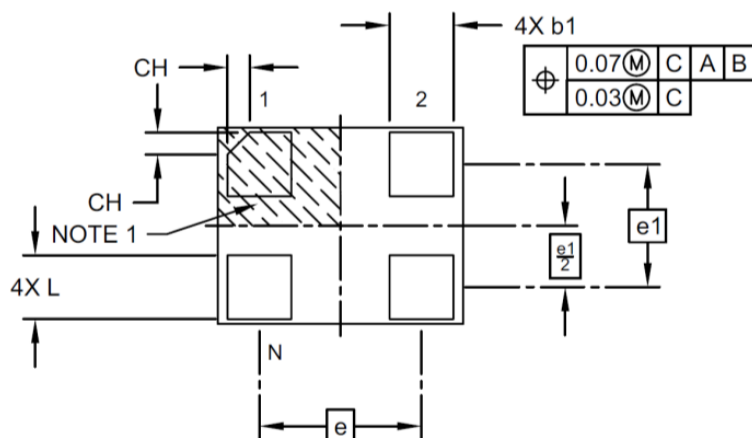
Top View



Side View



Bottom View



| Description | Marker | Dimensions (mm) |
|--------------------------------------|--------|-----------------|
| Number of Terminals | N | 4 |
| Terminal Pitch | e | 1.65 BSC |
| Terminal Pitch | e1 | 1.25 BSC |
| Overall Height | A | 0.84 ± 0.05 |
| Standoff* | A1 | .02 |
| Substrate Thickness (with Terminals) | A3 | 0.20REF |
| Overall Length | D | 2.50BSC |
| Overall Width | E | 2.00BSC |
| Terminal Width | b1 | 0.65 ± 0.05 |
| Terminal Length | L | 0.65 ± 0.05 |
| Terminal 1 Index Chamfer | CH | 0.225 |

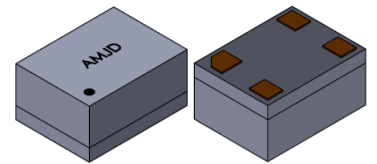
*Standoff max .05 mm and min 0.00 mm

Dimensioning and tolerance per ASME Y14.5M

BSC: Basic Dimension. Theoretically exact value shown without tolerances

REF: Reference Dimension, usually without tolerance, for information purposes only

FREQUENCY SELECTABLE MEMS OSCILLATORS



AMJD-SERIES



ESD Sensitive



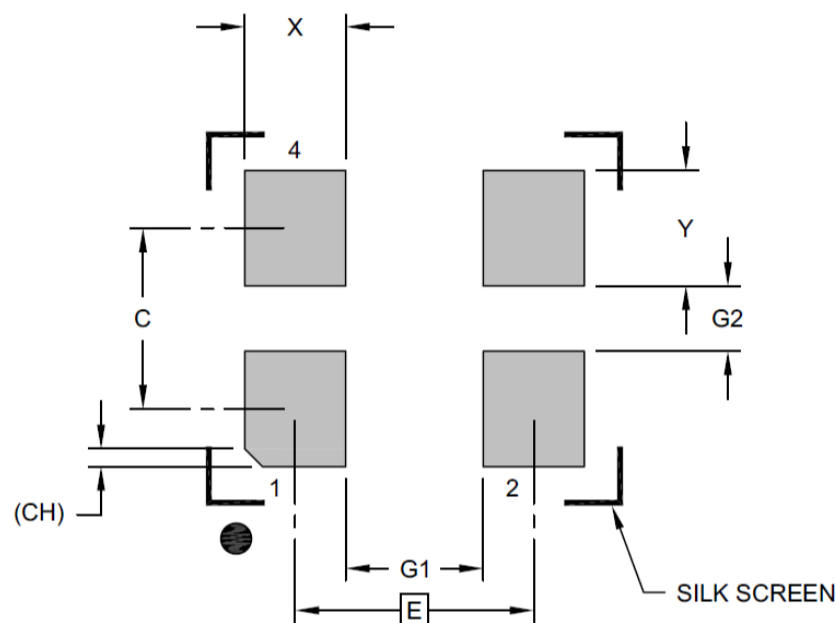
RoHS/RoHS II Compliant

1.6 x 1.2 x 0.84 mm
2.0 x 1.6 x 0.84 mm
2.5 x 2.0 x 0.84 mm
3.2 x 2.5 x 0.85 mm

MSL = MSL 1

MECHANICAL DIMENSIONS

Recommended Landing Pattern



| Description | Marker | Max | Typ | Max | Unit |
|-------------------------|--------|----------------|------|------|------|
| Contact Pitch | E | 1.65 BSC | | | mm |
| Contact Spacing | C | | 1.25 | | |
| Contact Width | X1 | | | 0.70 | |
| Contact Width | X2 | | | 0.80 | |
| Contact Pad Length | Y | | | 0.50 | |
| Space Between Contacts | G1 | 0.95 | | | |
| Space Between Contacts | G2 | 0.45 | | | |
| Contact 1 Index Chamfer | CH | 0.13 x 45° REF | | | |

Dimensioning and tolerance per ASME Y14.5M

BSC: Basic Dimension. Theoretically exact value shown without tolerances

REF: Reference Dimension, usually without tolerance, for information purposes only

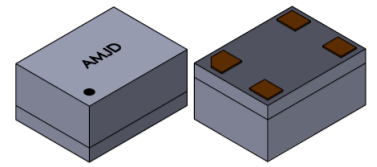


5101 Hidden Creek Ln Spicewood TX 78669
Phone: 512-371-6159 | Fax: 512-351-8858
For terms and conditions of sales, please visit:
www.abracon.com

REVISED: 08.02.2018

ABRACON IS
ISO9001-2015
CERTIFIED

FREQUENCY SELECTABLE MEMS OSCILLATORS



AMJD-SERIES



ESD Sensitive



RoHS/RoHS II Compliant

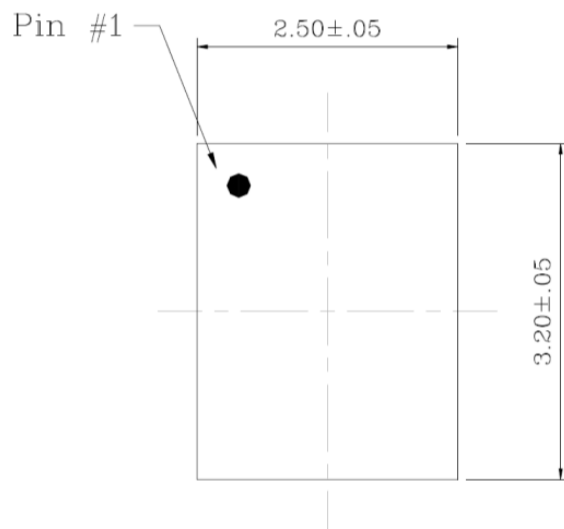
MSL = MSL 1

1.6 x 1.2 x 0.84 mm
2.0 x 1.6 x 0.84 mm
2.5 x 2.0 x 0.84 mm
3.2 x 2.5 x 0.85 mm

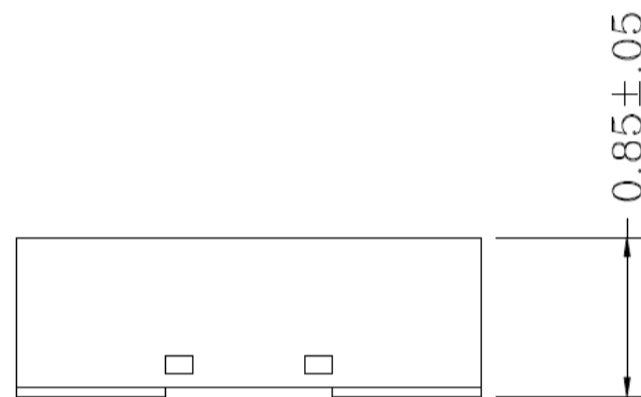
MECHANICAL DIMENSIONS

3.2 x 2.5 mm DFN Package Outline

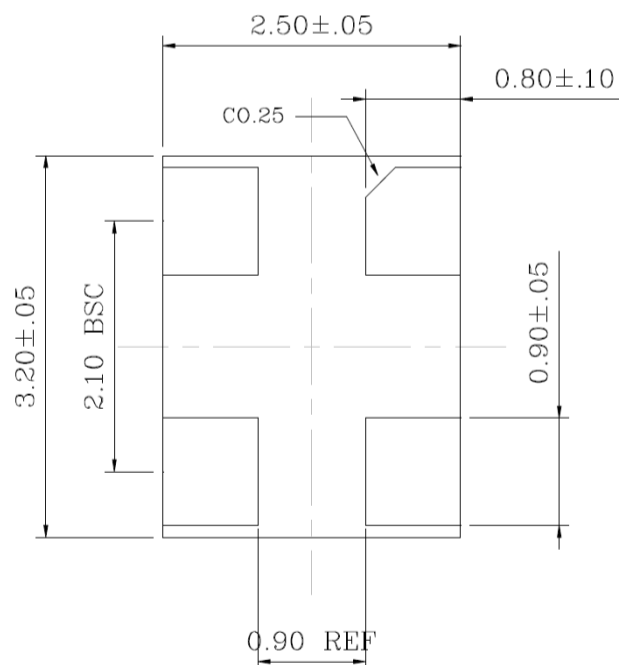
Top View



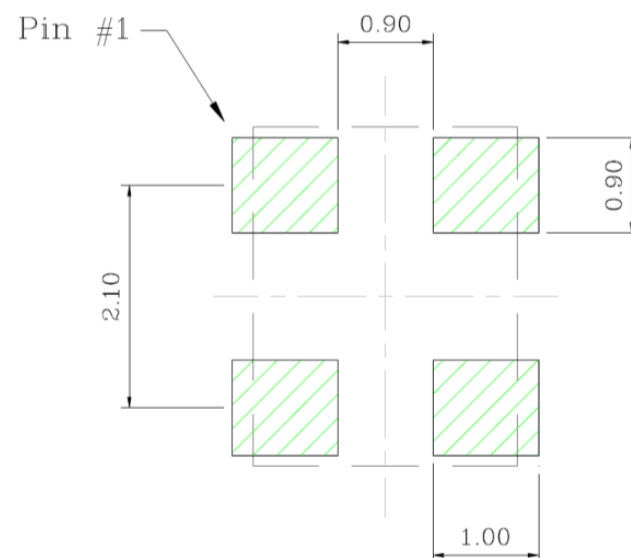
Side View



Bottom View

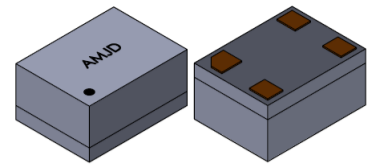


Recommended Landing Pattern



Dimensions : mm

FREQUENCY SELECTABLE MEMS OSCILLATORS



AMJD-SERIES



ESD Sensitive

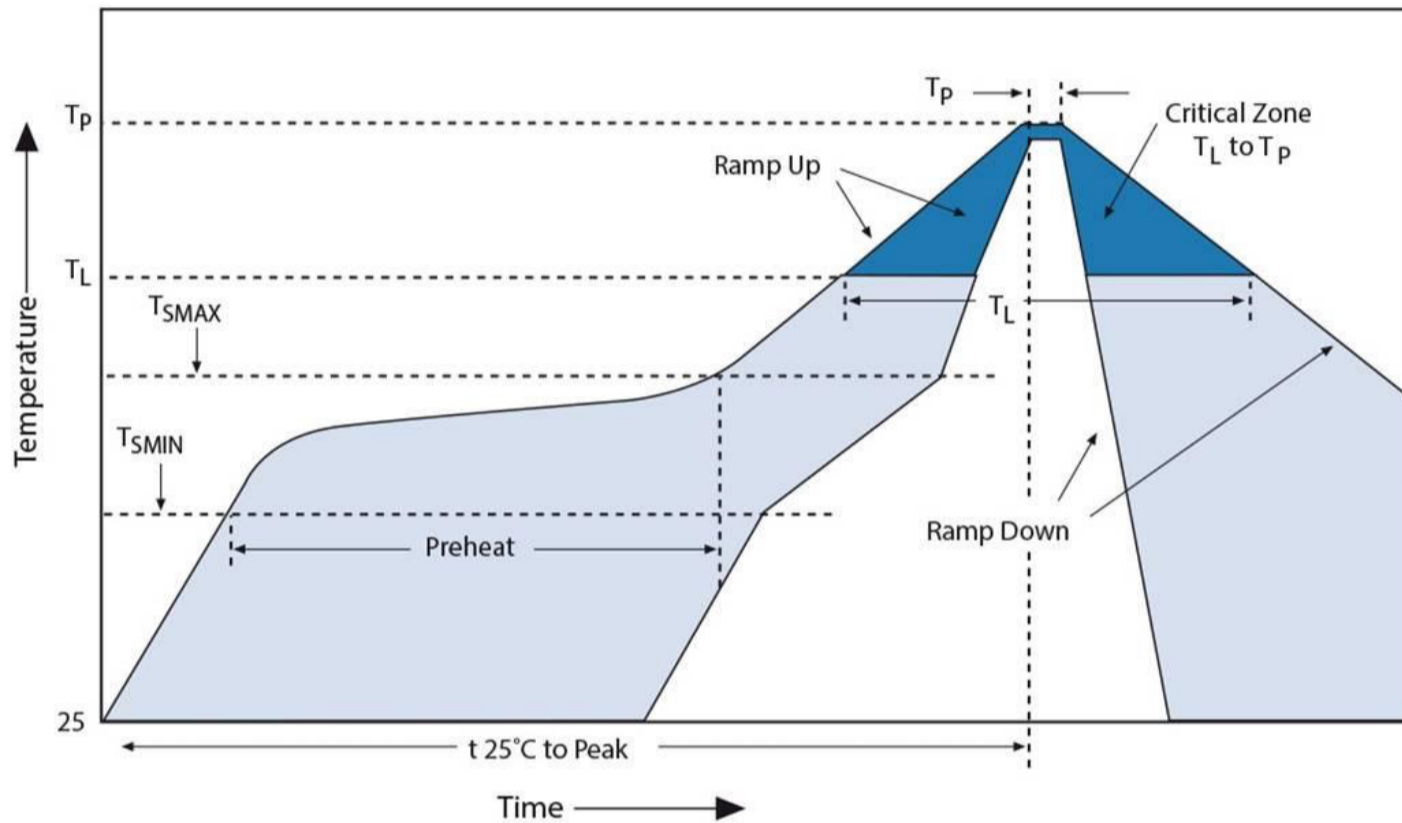


RoHS/RoHS II Compliant

1.6 x 1.2 x 0.84 mm
2.0 x 1.6 x 0.84 mm
2.5 x 2.0 x 0.84 mm
3.2 x 2.5 x 0.85 mm

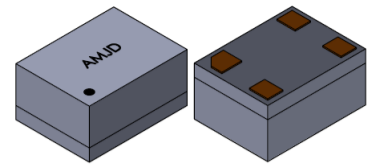
MSL = MSL 1

REFLOW PROFILE



| Zone | Description | Temperature | Time |
|------|----------------|---|-----------------|
| 1 | Preheat / Soak | $T_{SMIN} \sim T_{SMAX}$ 150°C ~ 200°C | 60 ~ 180 sec. |
| 2 | Reflow | T_L 217°C | 60 ~ 150 sec. |
| 3 | Peak heat | T_p 255°C - 260°C | 20-40 sec. MAX. |

FREQUENCY SELECTABLE MEMS OSCILLATORS



AMJD-SERIES



ESD Sensitive



RoHS/RoHS II Compliant

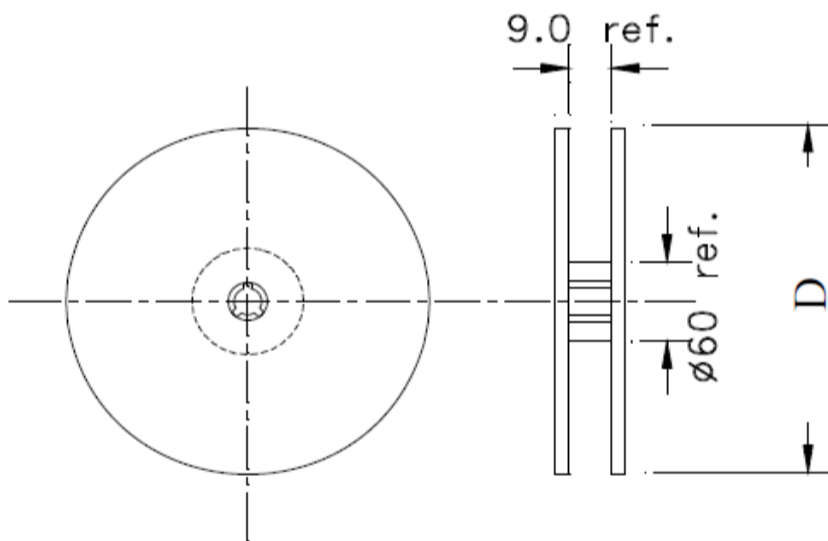
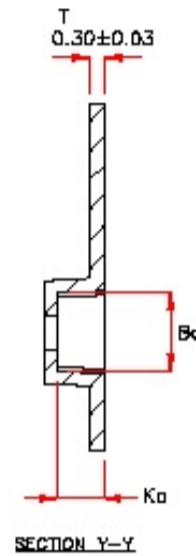
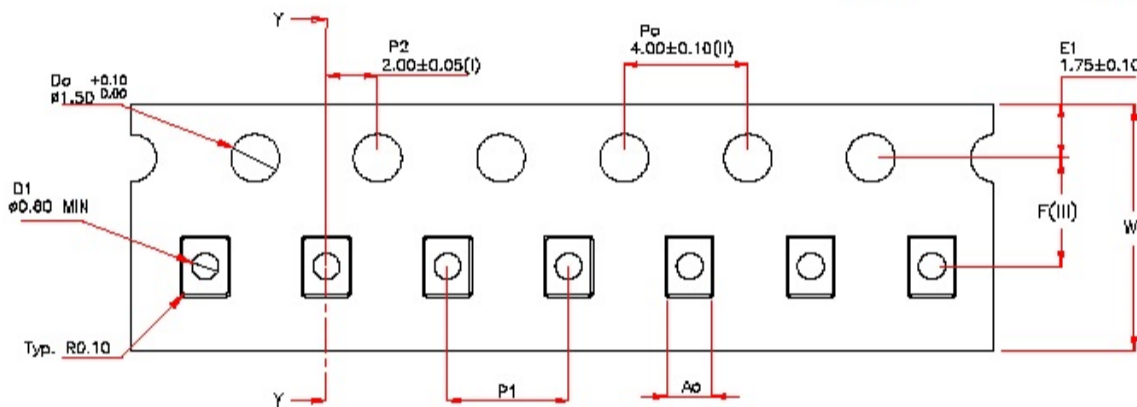
1.6 x 1.2 x 0.84 mm
2.0 x 1.6 x 0.84 mm
2.5 x 2.0 x 0.84 mm
3.2 x 2.5 x 0.85 mm

MSL = MSL 1

PACKAGING

Bulk MOQ= 100pcs/Bag*
T= 1,000pcs/reel (D=180mm)
T3= 3,000pcs/reel (D=180mm)

Affected Package Size:
1.6 mm x 1.2 mm VFLGA



| | |
|-------|--------------------|
| A_0 | 1.40 ± 0.05 |
| B_0 | 1.80 ± 0.05 |
| K_0 | 1.05 ± 0.05 |
| F | 3.50 ± 0.05 |
| P_1 | 4.00 ± 0.10 |
| W | $8.00 +0.30/-0.10$ |

Dimensions : mm

* For Quick turn-around programmable sample orders less than MOQ represented above:
Due to the immediate availability of stock and the qty of the order, the parts may be delivered as Cut Tape,
Loose parts in Antistatic Bag or in Tube(s).

For orders equal to or greater than MOQ and less than 1000pcs:
Due to packaging, the order must be a multiple of MOQ per package size above

For orders equal to or greater than 1000pcs:
Bulk is not an option. Please refer to tape and reel packaging.

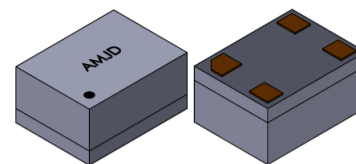


5101 Hidden Creek Ln Spicewood TX 78669
Phone: 512-371-6159 | Fax: 512-351-8858
For terms and conditions of sales, please visit:
www.abracon.com

REVISED: 08.02.2018

ABRACON IS
ISO9001-2015
CERTIFIED

FREQUENCY SELECTABLE MEMS OSCILLATORS



AMJD-SERIES



ESD Sensitive



RoHS/RoHS II Compliant

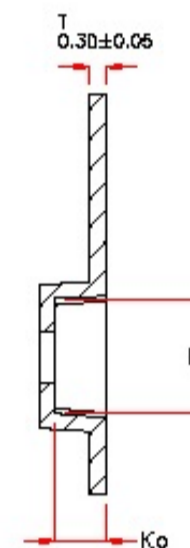
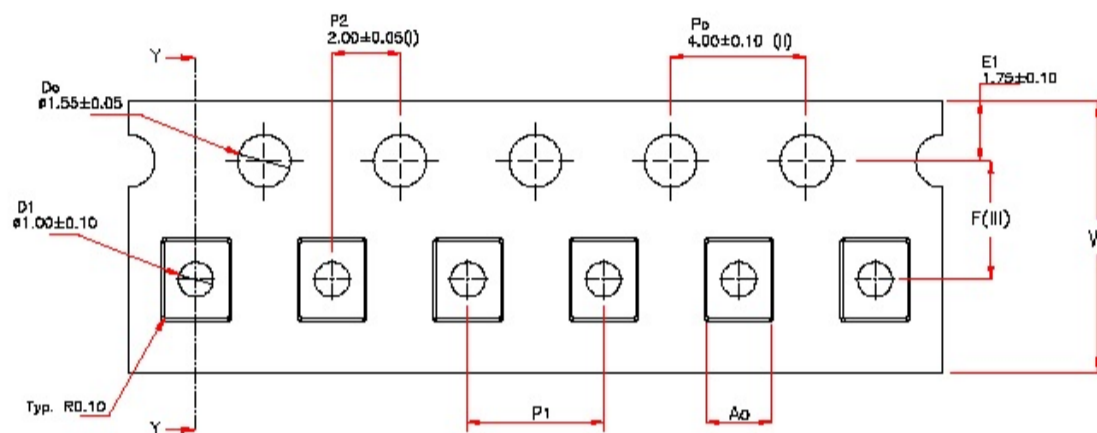
1.6 x 1.2 x 0.84 mm
2.0 x 1.6 x 0.84 mm
2.5 x 2.0 x 0.84 mm
3.2 x 2.5 x 0.85 mm

MSL = MSL 1

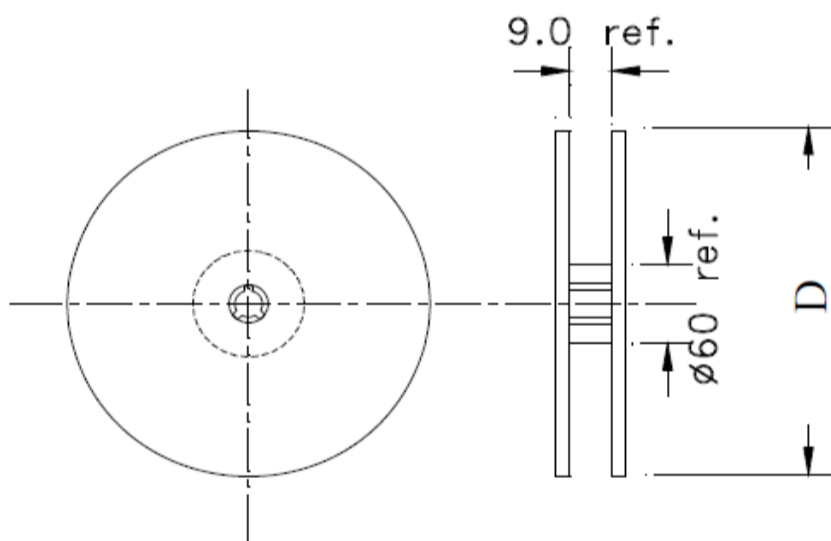
PACKAGING

Bulk MOQ= 100pcs/Bag*
T= 1,000pcs/reel (D=180mm)
T3= 3,000pcs/reel (D=180mm)

Affected Package Sizes:
2.0 mm x 1.6 mm VFLGA



SECTION Y-Y



| | |
|-------|--------------------|
| A_0 | 1.90 ± 0.05 |
| B_0 | 2.30 ± 0.05 |
| K_0 | 1.05 ± 0.05 |
| F | 3.50 ± 0.05 |
| P_1 | 4.00 ± 0.10 |
| W | $8.00 +0.30/-0.10$ |

Dimensions : mm

* For Quick turn-around programmable sample orders less than MOQ represented above:
Due to the immediate availability of stock and the qty of the order, the parts may be delivered as Cut Tape,
Loose parts in Antistatic Bag or in Tube(s).

For orders equal to or greater than MOQ and less than 1000pcs:
Due to packaging, the order must be a multiple of MOQ per package size above

For orders equal to or greater than 1000pcs:
Bulk is not an option. Please refer to tape and reel packaging.

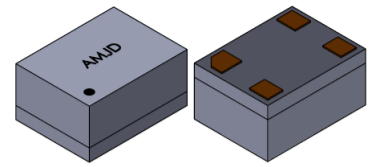


5101 Hidden Creek Ln Spicewood TX 78669
Phone: 512-371-6159 | Fax: 512-351-8858
For terms and conditions of sales, please visit:
www.abracon.com

REVISED: 08.02.2018

ABRACON IS
ISO9001-2015
CERTIFIED

FREQUENCY SELECTABLE MEMS OSCILLATORS



AMJD-SERIES



ESD Sensitive



RoHS/RoHS II Compliant

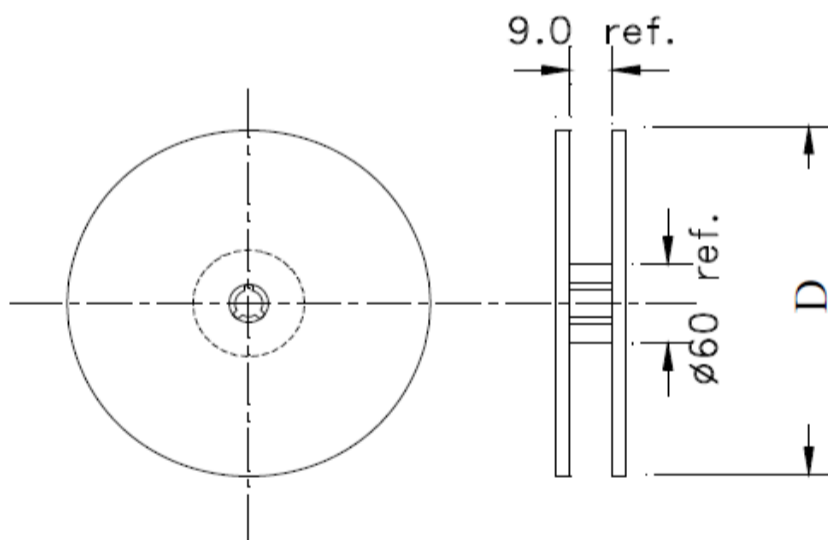
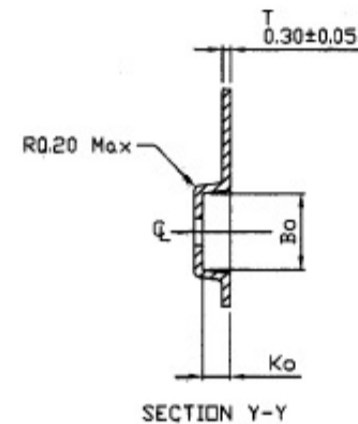
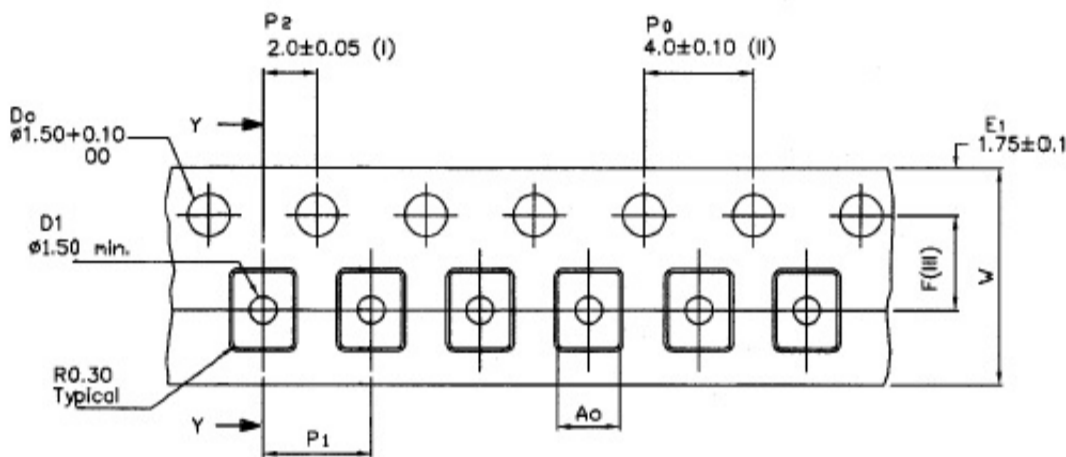
1.6 x 1.2 x 0.84 mm
2.0 x 1.6 x 0.84 mm
2.5 x 2.0 x 0.84 mm
3.2 x 2.5 x 0.85 mm

MSL = MSL 1

PACKAGING

Bulk MOQ= 140pcs/Tube*
T= 1,000pcs/reel (D=180mm)
T3= 3,000pcs/reel (D=180mm)

Affected Package Sizes:
2.5 mm x 2.0 mm VLGA



| | |
|-------|------------------------|
| A_0 | 2.25 ± 0.05 |
| B_0 | 2.80 ± 0.05 |
| K_0 | 1.10 ± 0.05 |
| F | 3.50 ± 0.05 |
| P_1 | 4.00 ± 0.10 |
| W | $8.00 + 0.30 / - 0.10$ |

Dimensions : mm

* For Quick turn-around programmable sample orders less than MOQ represented above:
Due to the immediate availability of stock and the qty of the order, the parts may be delivered as Cut Tape,
Loose parts in Antistatic Bag or in Tube(s).

For orders equal to or greater than MOQ and less than 1000pcs:
Due to packaging, the order must be a multiple of MOQ per package size above

For orders equal to or greater than 1000pcs:
Bulk is not an option. Please refer to tape and reel packaging.

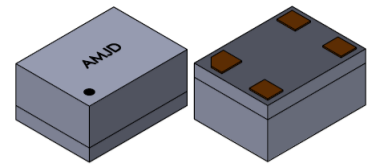


5101 Hidden Creek Ln Spicewood TX 78669
Phone: 512-371-6159 | Fax: 512-351-8858
For terms and conditions of sales, please visit:
www.abracon.com

REVISED: 08.02.2018

ABRACON IS
ISO9001-2015
CERTIFIED

FREQUENCY SELECTABLE MEMS OSCILLATORS



AMJD-SERIES



ESD Sensitive



RoHS/RoHS II Compliant

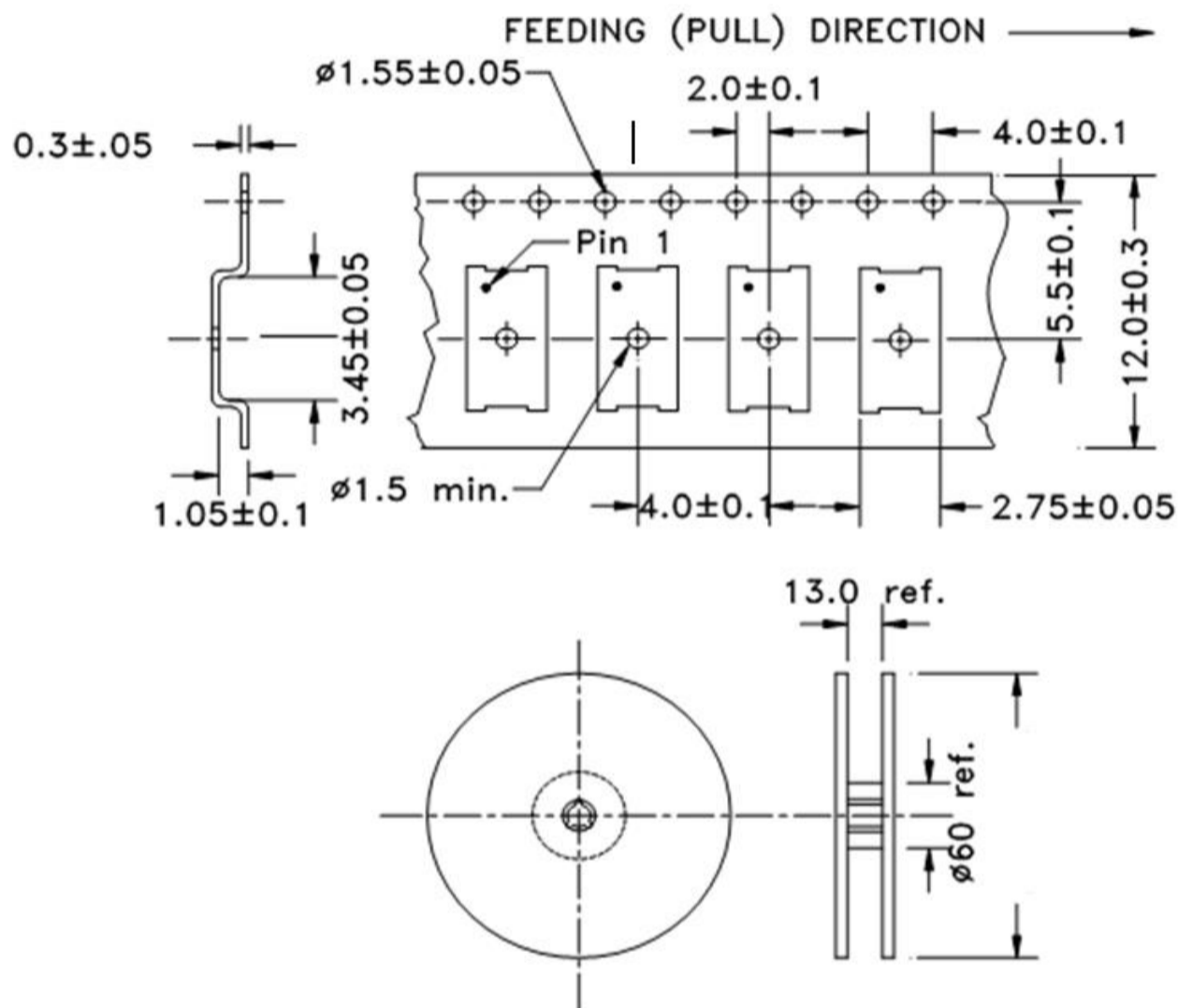
1.6 x 1.2 x 0.84 mm
2.0 x 1.6 x 0.84 mm
2.5 x 2.0 x 0.84 mm
3.2 x 2.5 x 0.85 mm

MSL = MSL 1

PACKAGING

Bulk MOQ= 110pcs/Tube*
T= 1,000pcs/reel (D=180mm)
T3= 3,000pcs/reel (D=180mm)

Affected Package Sizes:
3.2 mm x 2.5 mm DFN



Dimensions : mm

* For Quick turn-around programmable sample orders less than MOQ represented above:
Due to the immediate availability of stock and the qty of the order, the parts may be delivered as Cut Tape,
Loose parts in Antistatic Bag or in Tube(s).

For orders equal to or greater than MOQ and less than 1000pcs:
Due to packaging, the order must be a multiple of MOQ per package size above

For orders equal to or greater than 1000pcs:
Bulk is not an option. Please refer to tape and reel packaging.



5101 Hidden Creek Ln Spicewood TX 78669
Phone: 512-371-6159 | Fax: 512-351-8858
For terms and conditions of sales, please visit:
www.abracon.com

REVISED: 08.02.2018

ABRACON IS
ISO9001-2015
CERTIFIED

X-ON Electronics

Largest Supplier of Electrical and Electronic Components

Click to view similar products for [Standard Clock Oscillators](#) category:

Click to view products by [Abracon](#) manufacturer:

Other Similar products are found below :

[EP1400SJTSC-125.000M](#) [601137](#) [601252](#) [CSX750FBC-24.000M-UT](#) [CSX750FBC-33.333M-UT](#) [CSX750FCC-3.6864M-UT](#) [F335-12](#) [F335-25](#) [F535L-50](#) [DSC506-03FM2](#) [ASA-20.000MHZ-L-T](#) [ASA-25.000MHZ-L-T](#) [ASA-27.000MHZ-L-T](#) [ASV-20.000MHZ-LR-T](#) [ECS-2018-160-BN-TR](#) [EL13C7-H2F-125.00M](#) [MXO45HS-2C-66.6666MHZ](#) [NBXDBB017LN1TAG](#) [NBXHBA019LN1TAG](#) [SiT1602BI-22-33E-50.000000E](#) [SIT8003AC-11-33S-2.04800X](#) [SiT8256AC-23-33E-156.250000X](#) [SIT8918AA-11-33S-50.000000G](#) [SM4420TEV-40.0M-T1K](#) [SMA4306-TL-H](#) [F335-24](#) [F335-40](#) [F335-50](#) [F535L-10](#) [F535L-12](#) [F535L-16](#) [F535L-24](#) [F535L-27](#) [F535L-48](#) [CSX750FBC-20.000M-UT](#) [CSX-750FBC33333000T](#) [CSX750FBC-4.000M-UT](#) [CSX750FBC-7.3728M-UT](#) [CSX750FBC-8.000M-UT](#) [CSX-750FCC14745600T](#) [CSX750FCC-16.000M-UT](#) [CSX-750FCC40000000T](#) [CSX750FCC-4.000M-UT](#) [ASA-22.000MHZ-L-T](#) [ASA2-26.000MHZ-L-T](#) [ASA-40.000MHZ-L-T](#) [ASA-48.000MHZ-L-T](#) [ASA-60.000MHZ-L-T](#) [ASF1-3.686MHZ-N-K-S](#) [XLH735025.000JU4I8](#)