

# OVEN CONTROLLED CRYSTAL OSCILLATOR

**AOCJY7 Series**



**RoHS**  
Compliant



25.4x 25.4 x 12.7 mm Leaded

## FEATURES:

- Exceptional Close to the carrier Maximum Phase Noise of -160dBc/Hz @ 1kHz & -174dBc/Hz @ 10kHz offset from 100.0 MHz Carrier
- SC-Cut, High “Q” resonator based design
- 100.0MHz carrier frequency
- Excellent Frequency Stability of  $\pm 50.0$  ppb over the operating temperature range of -20°C to +70°C
- Tuned Sinewave output into a 50Ω load
- Industry Standard, 25.4x25.4x12.7 mm, RoHS compliant & Pb free package

## APPLICATIONS:

- COTS Military & Industrial Radios & Timing Circuits
- Cellular Infrastructure
- Radar Systems
- Test & Measurement Equipment
- GPS Tracking with precision hold-over accuracy
- WiMax / WLAN
- Precision primary frequency reference clocks

## STANDARD SPECIFICATIONS:

Parameters	Minimum	Typical	Maximum	Units	Notes
Center Frequency	100.000			MHz	
Supply Voltage	+11.4	+12.0	+12.6	V	
Supply Current (Start up)			400	mA	
Supply Current (Stabilized)			200	mA	
Sine Output Level (with 50Ω load)	8	11	12	dBm	
Harmonics (Reference to Carrier)			-30		
Phase Noise (SSB @10Hz)			-90	dBc/Hz	
Phase Noise (SSB @100Hz)			-125	dBc/Hz	
Phase Noise (SSB @1KHz)			-160	dBc/Hz	
Phase Noise (SSB @10KHz)			-174	dBc/Hz	
Phase Noise (SSB @100KHz)			-174	dBc/Hz	
Adjust. Tolerance (Typ control voltage)			$\pm 100$	ppb	
Freq vs Supply (Vs $\pm 5\%$ )			$\pm 5$	ppb	
Freq vs Load (Load $\pm 5\%$ )			$\pm 5$	ppb	
Freq vs Temp (Ref to Freq @ 25°C)			$\pm 50$	ppb	
Operating Temp	-20	25	+70	°C	
Aging per year(After 30 days)			$\pm 100$	ppb	
Warm Up (10mn-2Hr on)			$\pm 10$	ppb	
Control Voltage	0	2.5	5	V	
Pulling Range	$\pm 1000$			ppb	
Linearity			10		
Storage temperature	-55		+100	°C	

By default, AOCJY7 OCO is constructed with the following key specifications:

- i) **Supply Voltage** = **12.00 Volts**
- ii) **Operating Temperature Range** = **-20°C to +70°C**
- iii) **RF Output** = **Pure Sinewave into 50Ω**



# OVEN CONTROLLED CRYSTAL OSCILLATOR

AOCJY7 Series

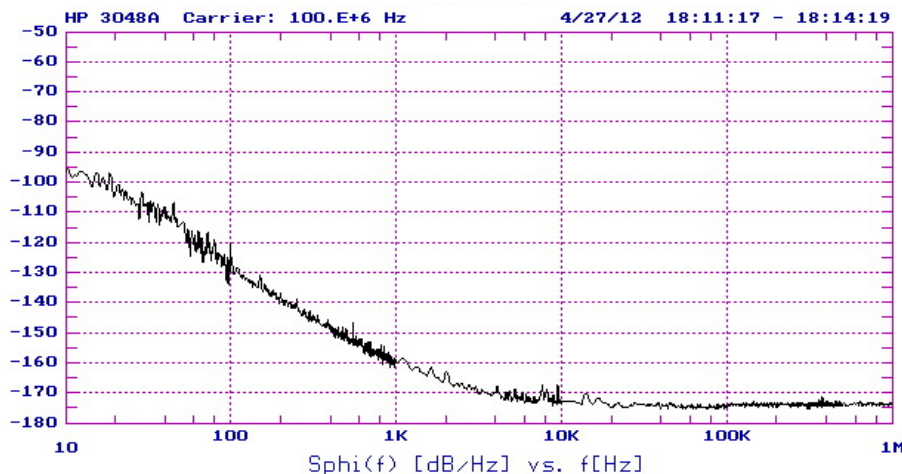


RoHS  
Compliant

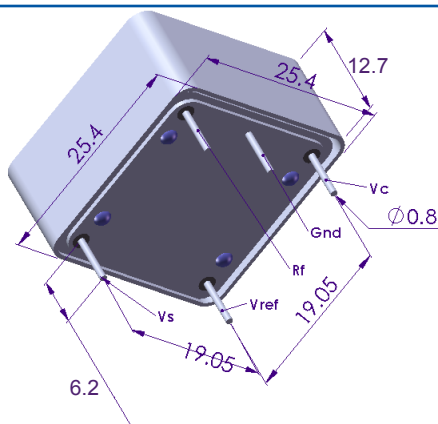


25.4x 25.4 x 12.7 mm Leaded

## TYPICAL PHASE NOISE PERFORMANCE:



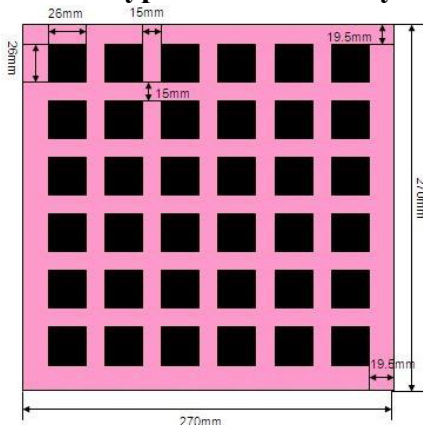
## OUTLINE DRAWING:



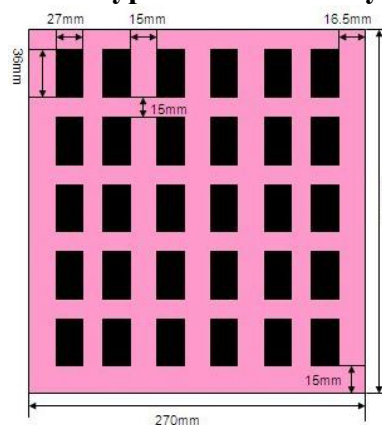
Dimensions: mm

## PACKAGING:

Foam Type A: 36 units/tray



Foam Type B: 30 units/tray



**ATTENTION:** Abracon Corporation's products are COTS – Commercial-Off-The-Shelf products; suitable for Commercial, Industrial and, where designated, Automotive Applications. Abracon's products are not specifically designed for Military, Aviation, Aerospace, Life-dependant Medical applications or any application requiring high reliability where component failure could result in loss of life and/or property. For applications requiring high reliability and/or presenting an extreme operating environment, written consent and authorization from Abracon Corporation is required. Please contact Abracon Corporation for more information.

ABRACON IS  
ISO9001:2008  
CERTIFIED



**ABRACON**  
CORPORATION

Visit [www.abracon.com](http://www.abracon.com) for Terms & Conditions of Sale Revised: 08.18.12  
30332 Esperanza, Rancho Santa Margarita, California 92688  
tel 949-546-8000 | fax 949-546-8001 | [www.abracon.com](http://www.abracon.com)

## X-ON Electronics

Largest Supplier of Electrical and Electronic Components

*Click to view similar products for [OCXO Oscillators](#) category:*

*Click to view products by [ABRACON](#) manufacturer:*

Other Similar products are found below :

[AOCTQ5-X-10.000MHz-I5-SW](#) [AOCTQ5-V-10.000MHz-I3-SW](#) [AOCTQ5-X-10.000MHz-M10-SW](#) [AOCTQ5-V-10.000MHz-I5](#) [AOCTQ5-X-10.000MHz-I3-SW](#) [AOCTQ5-V-10.000MHz-M10](#) [SIT8102AC12-33E-98.30400Y](#) [8208AI23-33E26.000](#) [ECOC-2522-40.000-3GS](#)  
[AOCJY-12.800MHZ](#) [AOCJY2A-10.000MHz-F-SW](#) [AOCJY3B-10.000MHz-E-SW](#) [AOCJY4A-10.000MHz-SW](#) [AOCJY2A-100.000MHz-E](#)  
[AOCJY3-10.000MHz-E-SW](#) [AOC1409VAUC-20.0000C](#) [AOC1409XAUC-20.0000C](#) [AOC2012VAJC-12.8000C](#) [AOC2012VAJC-25.0000C](#)  
[AOC2012XAJC-10.0000C](#) [AOC2012XAJC-12.8000C](#) [AOC2012XAJC-19.4400C](#) [AOC2012XAJC-25.0000C](#) [AOC2522BVAUC-20.0000](#)  
[AOC2522BVAUC-12.8000](#) [AOCJY-100.000MHZ](#) [AOCJY-100.000MHz-E](#) [AOCJY-100.000MHz-F](#) [AOCJY1-100.000MHz](#) [AOCJY1-10.000MHZ](#) [AOCJY1-10.000MHz-E-SW](#) [AOCJY1A-100.000MHz](#) [AOCJY1A-10.000MHz](#) [AOCJY-20.000MHz](#) [AOCJY-20.000MHZ-F](#)  
[AOCJY2-100.000MHz-F-SW](#) [AOCJY2-10.000MHz](#) [AOCJY2-10.000MHZ-E](#) [AOCJY2-100.000MHZ-E](#) [AOCJY3-100.000MHz-E-SW](#)  
[AOCJY3-10.000MHz](#) [AOCJY-38.880MHz](#) [AOCJY3B-10.000MHz](#) [AOCJY3B-10.000MHz-E](#) [AOCJY4B-10.000MHz-SW](#) [AOCJY5-10.000MHz](#) [AOCJY6-10.000MHz-1](#) [AOCJY7TQ-X-100.000MHz-1](#) [AOCJY7TQ-X-100.000MHz-5](#) [AOCJYR-10.000MHz-M5625LF](#)