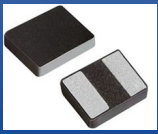


# MINI MOLDED POWER INDUCTOR



AOTA-B252010S

Request Samples



Check Inventory



2.5 x 2.0 x 1.0 mm  
RoHS/RoHS II Compliant  
MSL Level = 1

## Features

- Shielded construction for minimized EMI emissions
- Low DCR for better efficiency
- High current handling capability
- Compact size that is suitable for high-density designs
- Fit for high-frequency switching applications due to high SRF

## Applications

- Consumer electronics and portable devices
- Power electronics such as DC-DC converters, inverters and voltage regulators
- Industrial applications, robotics, signal conditioning, instrumentation and control systems
- IoT devices, smart home, automation systems and wireless sensing

## Electrical Specifications

Part Number	Inductance	Tolerance	Self-Resonant Frequency	DC Resistance		Saturation Current		Temperature Rise Current	
	1MHz/1.0V		Min.	Typ	Max	Typ	Max	Typ	Max
Units	$\mu\text{H}$	%	MHz	$\text{m}\Omega$		A		A	
Symbol	L	M	SRF	DCR		Isat		Irms	
AOTA-B252010SR33MT	0.33	20	95	13	16	8.5	7.5	5.5	5.0
AOTA-B252010SR47MT	0.47	20	81	16	20	7.0	6.5	6.1	5.7
AOTA-B252010SR68MT	0.68	20	63	24	29	6.6	5.8	5.2	4.5
AOTA-B252010S1R0MT	1.0	20	53	27	30	5.4	5.0	4.7	4.5
AOTA-B252010S1R5MT	1.5	20	35	37	42	4.0	3.7	4.1	3.6
AOTA-B252010S2R2MT	2.2	20	27	57	65	3.5	3.2	2.6	2.3
AOTA-B252010S3R3MT	3.3	20	22	95	110	2.9	2.6	2.2	1.9
AOTA-B252010S4R7MT	4.7	20	19	124	136	2.2	1.9	1.7	1.6
AOTA-B252010S100MT	10.0	20	14	360	420	1.7	1.5	1.4	1.2

## Test Conditions

**Isat:** DC current at which the inductance drops 30% from its nominal value.

**Irms:** DC current that causes the temperature rise ( $\Delta T$ , approximate 40 °C) from 25°C ambient.

**Operating Temperature:** -40°C ~ +125°C (including self-temperature rise)

**Storage Condition:** -40°C ~ +125°C (on board), -10°C ~ +40°C (with packaging) and R.H. 60 max.

AOTA-B252010S Series is **RoHS Compliant and Pb free.**

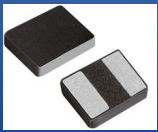


5101 Hidden Creek Ln, Spicewood TX 78669  
Phone: 512-371-6159 Fax: 512-351-8858  
For terms and conditions of sales, please visit:  
[www.abracon.com](http://www.abracon.com)

REVISION Initial Release :  
6/30/2023

ABRACON IS  
ISO9001-2015  
CERTIFIED

# MINI MOLDED POWER INDUCTOR



**AOTA-B252010S**

Request Samples

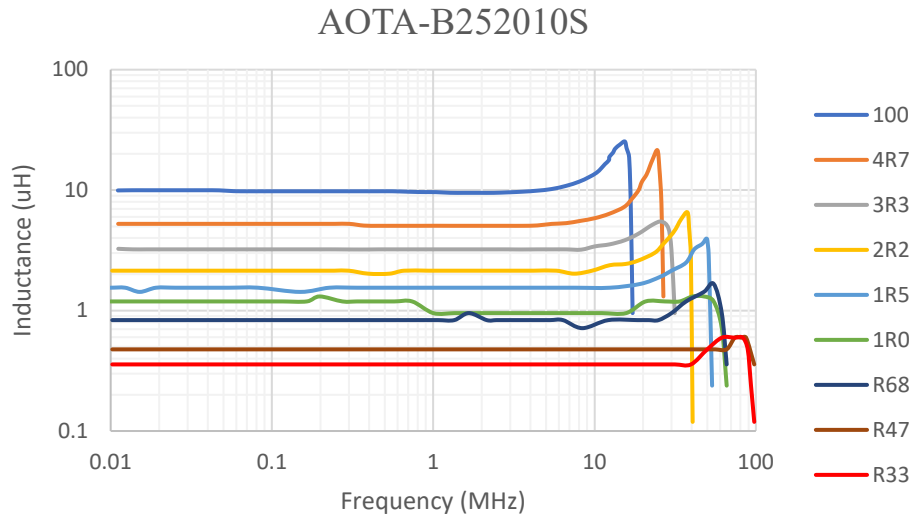


Check Inventory

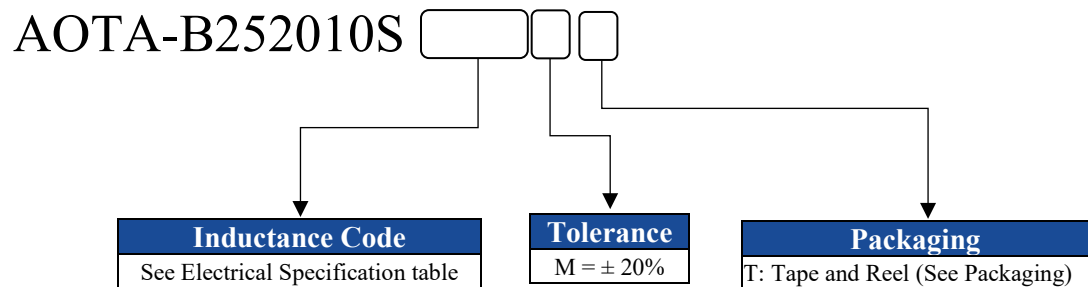


2.5 x 2.0 x 1.0 mm  
**RoHS/RoHS II Compliant**  
 MSL Level = 1

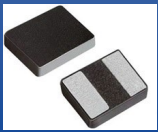
## Performance Graphs



## Part Identification



# MINI MOLDED POWER INDUCTOR



**AOTA-B252010S**

Request Samples

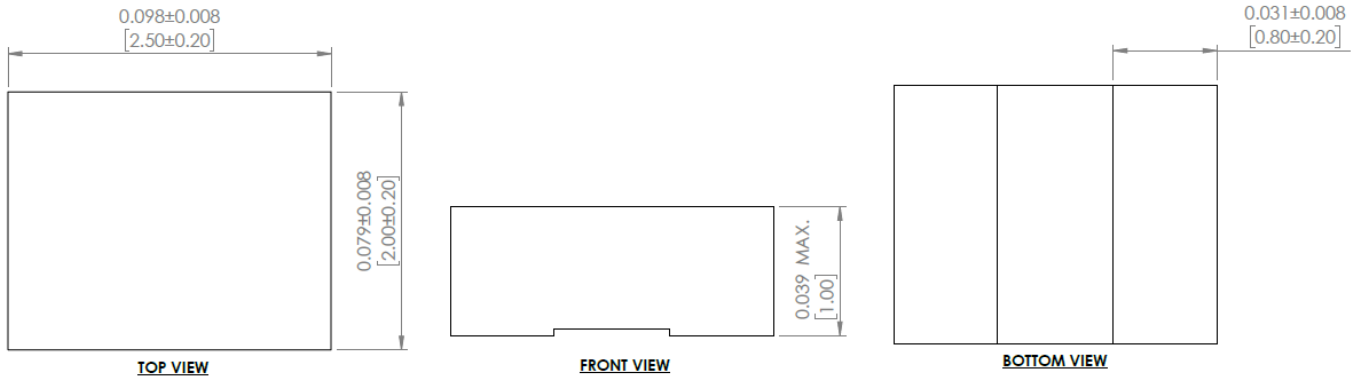


Check Inventory

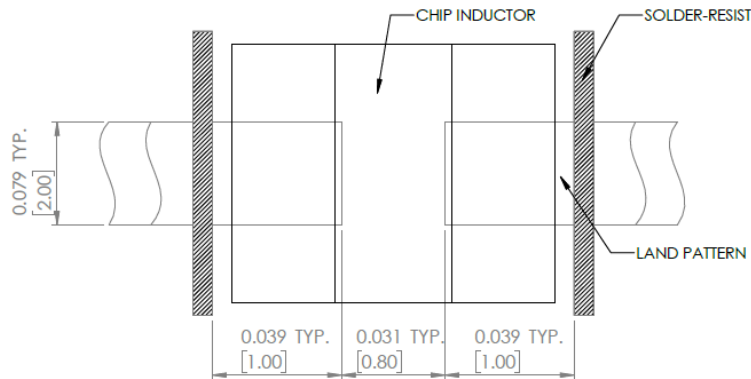


**2.5 x 2.0 x 1.0 mm**  
**RoHS/RoHS II Compliant**  
**MSL Level = 1**

## Mechanical Specifications



## Recommended Land Pattern



Dimensions: Inch[mm]

## Marking

No Marking

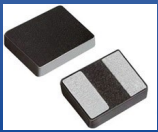


5101 Hidden Creek Ln, Spicewood TX 78669  
Phone: 512-371-6159 Fax: 512-351-8858  
For terms and conditions of sales, please visit:  
[www.abracon.com](http://www.abracon.com)

**REVISION Initial Release :**  
**6/30/2023**

ABRACON IS  
ISO9001-2015  
CERTIFIED

# MINI MOLDED POWER INDUCTOR



**AOTA-B252010S**

Request Samples

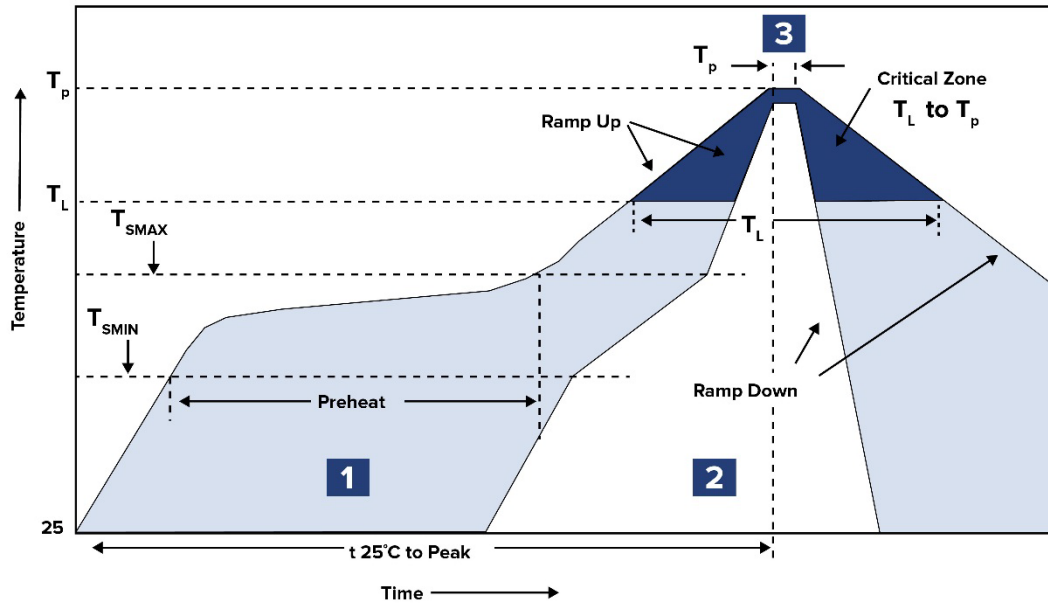


Check Inventory



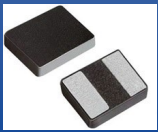
2.5 x 2.0 x 1.0 mm  
**RoHS/RoHS II Compliant**  
 MSL Level = 1

## Reflow Profile



Zone	Description	Temperature	Times
1	Preheat	$T_{SMIN} \sim T_{SMAX}$ 150°C ~ 200°C	60 ~ 120 sec.
2	Reflow	$T_L$ 217°C	60 ~ 90 sec.
3	Peak heat	$T_P$ 260°C Max	10 sec. MAX

# MINI MOLDED POWER INDUCTOR



**AOTA-B252010S**

Request Samples



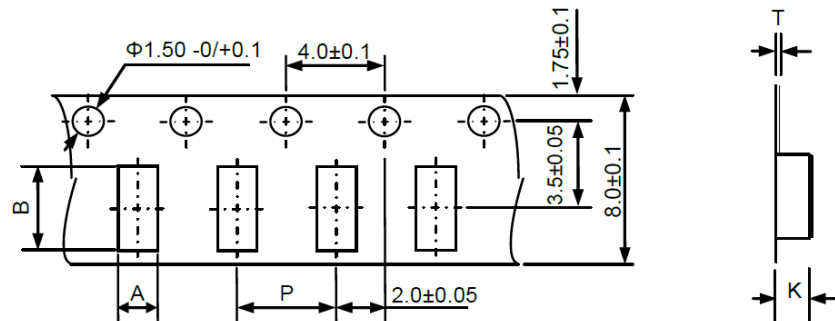
Check Inventory



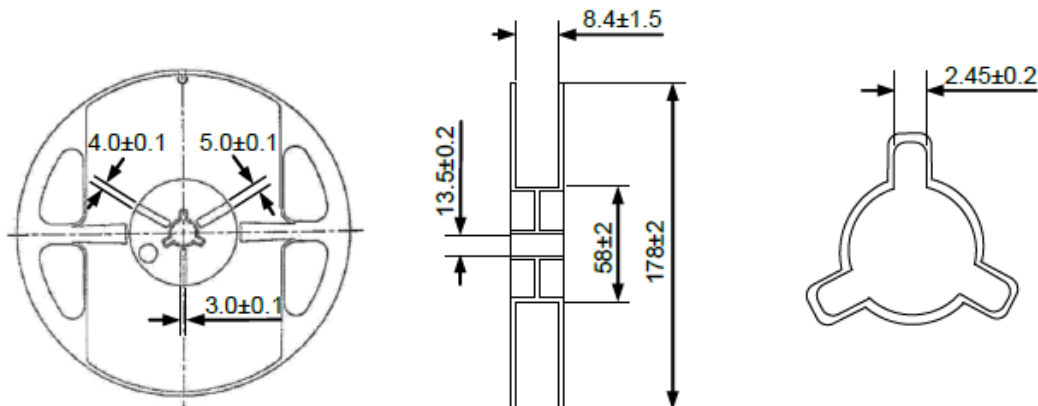
2.5 x 2.0 x 1.0 mm  
**RoHS/RoHS II Compliant**  
 MSL Level = 1

## Packaging

**Tape & Reel: 3000 pcs/reel**



A	B	P	K	T
2.30±0.1	2.80±0.1	4.0±0.1	1.30 Max	0.3 Max



Dimensions: mm

**ATTENTION:** Abracon LLC's products are COTS – Commercial-Off-The-Shelf products; suitable for Commercial, Industrial and, where designated, Automotive Applications. Abracon's products are not specifically designed for Military, Aviation, Aerospace, Life-dependent Medical applications or any application requiring high reliability where component failure could result in loss of life and/or property. For applications requiring high reliability and/or presenting an extreme operating environment, written consent and authorization from Abracon LLC is required. Please contact Abracon LLC for more information.



5101 Hidden Creek Ln, Spicewood TX 78669  
 Phone: 512-371-6159 Fax: 512-351-8858  
 For terms and conditions of sales, please visit:  
[www.abracon.com](http://www.abracon.com)

**REVISION Initial Release :**  
 6/30/2023

ABRACON IS  
 ISO9001-2015  
 CERTIFIED

## X-ON Electronics

Largest Supplier of Electrical and Electronic Components

*Click to view similar products for [Power Inductors - SMD category](#):*

*Click to view products by [Abracon manufacturer](#):*

Other Similar products are found below :

[SPD62R-472M](#) [LLQPB201214T1R0M](#) [LLXND3030QKT470MNG](#) [LLQPB160807T4R7M](#) [LLAPB2016KKTR33M](#)  
[LBXND4040TKL330MDG](#) [LLXNE3030KKT4R7MN](#) [LSQEA201212T100M](#) [IHLP5050CEER4R7M06](#) [LVS505020-1R0T-N](#) [LVS505040-1R2T-N](#) [LVS606020-1R5M-N](#) [LVS606028-6R8M-N](#) [LVS606045-102M-N](#) [LVS606045-150M-N](#) [LVS606045-1R8M-N](#) [LVS606045-6R8M-N](#) [LVS808040-2R0M-N](#) [LVS808040-330M-N](#) [LVS808040-4R7M-N](#) [MHCI06030-R56M-R8](#) [SCD0403T-470M-N](#) [SCD0403T-6R8K-N](#) [SCD0504T-101M-N](#) [SCD0504T-120M-N](#) [SCD0504T-221M-N](#) [SCD0504T-470M-N](#) [SCD0504T-471M-N](#) [SCD0705T-180M-N](#) [SCD0705T-221M-N](#) [SCD0705T-470M-N](#) [SCD1005T-101M-N](#) [SCD1005T-221M-N](#) [SCD1005T-470M-N](#) [SSL1306T-101M-N](#) [LQB15NNR27K10D](#) [201610CDMCDDS-R47MC](#) [201610CDMCDDS-1R0MC](#) [201610CDMCDDS-R68MC](#) [LSQPB201210T220M](#) [LBCNF2012KKTR24MA](#) [LSQEA201212T220K](#) [LSENC2016KKT1R0M](#) [LSQNB160808T470M](#) [LSBHB1608KKT2R2MG](#) [LSQPB160807T2R2M](#) [LSQEA201212T101K](#) [LCXND4040MKL4R7MDG](#) [DEM8045Z-5R6N=P3](#) [LCXND3030QKT4R7MNG](#)