

HCMOS/TTL COMPATIBLE SURFACE-MOUNT PROGRAMMABLE CRYSTAL CLOCK OSCILLATOR



7.0 x 5.0 x 1.6mm

AP7S



RoHS
Compliant

FEATURES:

- Comparable performance to fixed frequency oscillator
- Low jitter with PLL technology

APPLICATIONS:

- Micro controller
- FPGA
- CPLG
- Prototype evaluation
- Portable computers (Laptop, tablet PC)

For Small Quantities, Delivery Time is 1-5 days

ELECTRICAL SPECIFICATIONS:

Parameters	Minimum	Typical	Maximum	Units	Notes	
Frequency Range:	V _{dd} = 3.3V	10	-----	200	MHz	
	V _{dd} = 2.5V	10	-----	166	MHz	
Operating Temperature:	0	-----	+70	°C	See options	
Storage Temperature:	-55	-----	+155	°C		
Overall Frequency Stability*:	-100	-----	+100	ppm	See options	
Supply Voltage (V _{dd}):	V _{dd} = 3.3V	2.97	3.3	3.63	V	Standard
	V _{dd} = 2.5V	2.25	2.5	2.75	V	Option 1
Input Current:	V _{dd} = 3.3V	-----	-----	30	mA	
	V _{dd} = 2.5V	-----	-----	20	mA	
Symmetry:	45	50	55	%	@ 1/2V _{dd}	
Rise and Fall Time (Tr/Tf)**:	-----	2.5	3.5	ns		
Output Load:			15	pF	CMOS	
Output Voltage:	VOH	V _{dd} -0.4	-----	-----	V	
	VOL	-----	-----	0.4	V	
Start-up Time:	-----	-----	10.0	ms		
Enable/Disable Function :	"1" (V _{IH} ≥ 0.7*V _{dd}) or Open: Oscillation "0" (V _{IL} < 0.3*V _{dd}) : No output					
Period jitter RMS (Reference only. Please contact Abracon for each frequencies.):	25MHz	-----	2.0	4.0	ps	
	50MHz	-----	5.0	10.0	ps	
	100MHz	-----	7.0	14.0	ps	
Period jitter Peak to Peak (Reference only. Please contact Abracon for each frequencies.):	25MHz	-----	14.0	25.0	ps	
	50MHz	-----	25.0	35.0	ps	
	100MHz	-----	35.0	50.0	ps	
Phase jitter RMS	20MHz	-----	0.6	1.0	ps	12kHz to 10MHz
	25MHz	-----	5.6	7.0	ps	12kHz to 10MHz
	50MHz	-----	16.0 ~ 25.0	40.0	ps	12kHz to 20MHz
	100MHz	-----	18.0	25.0	ps	12kHz to 20MHz
Aging:	-3.0	-----	+3.0	ppm	First year	

* Inclusive of calibration @25°C, operating temperature range, input voltage variation, load variation, aging, shock, and vibration.

** Transition times are measured between 10% and 90% of V_{dd} with an output load of 15 pF.

ABRACON IS
ISO 9001:2008
CERTIFIED



ABRACON
CORPORATION

Visit www.abracon.com for Terms & Conditions of Sale
30332 Esperanza, Rancho Santa Margarita, California 92688
tel 949-546-8000 | fax 949-546-8001 | www.abracon.com

Revised: 07.03.11

HCMOS/TTL COMPATIBLE SURFACE-MOUNT PROGRAMMABLE CRYSTAL CLOCK OSCILLATOR



7.0 x 5.0 x 1.6mm

AP7S



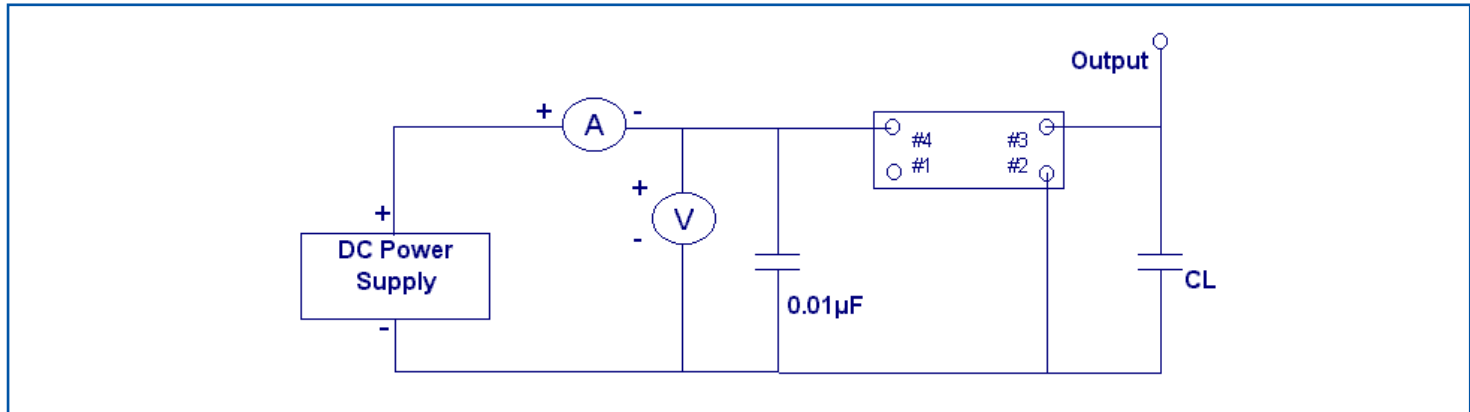
OPTIONS & PART IDENTIFICATION:

AP7S - MHz - -

Supply Voltage	Frequency in MHz	Operating Temp.	Overall Freq. Stability	Packaging
Blank: 3.3V I: 2.5V	Please specify the frequency in MHz. e.g. 14.31818MHz	I: 0°C ~ +50°C D: -10°C ~ +60°C E: -20°C ~ +70°C F: -30°C ~ +70°C N: -30°C ~ +85°C L: -40°C ~ +85°C	J(**): ±20ppm R: ±25ppm K: ±30ppm C: ±50ppm	Blank: Bulk T: Tape & Reel

* Temp. option I, D, E and 0°C ~ +70°C only
Contact ABRACON for EJ or LR options. (Availability limited)

TEST CIRCUIT:



OUTLINE DRAWING:

Bottom view

Recommended land pattern

Note: Recommend using an approximately 0.01µF bypass capacitor between PIN 2 and 4.

Pin	Function
1	Tri-State
2	GND/Case
3	Output
4	Vdd

Dimension: inch (mm)

ABRACON IS
ISO 9001:2008
CERTIFIED



Visit www.abracon.com for Terms & Conditions of Sale **Revised: 07.03.11**
30332 Esperanza, Rancho Santa Margarita, California 92688
tel 949-546-8000 | fax 949-546-8001 | www.abracon.com

HCMOS/TTL COMPATIBLE SURFACE-MOUNT PROGRAMMABLE CRYSTAL CLOCK OSCILLATOR

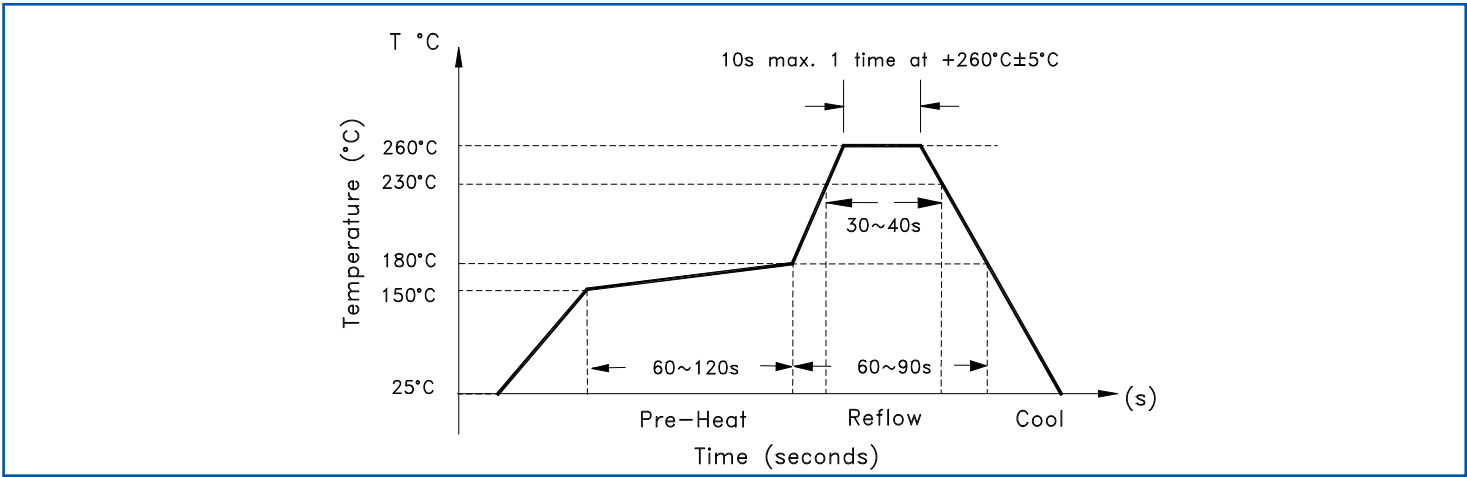


7.0 x 5.0 x 1.6mm

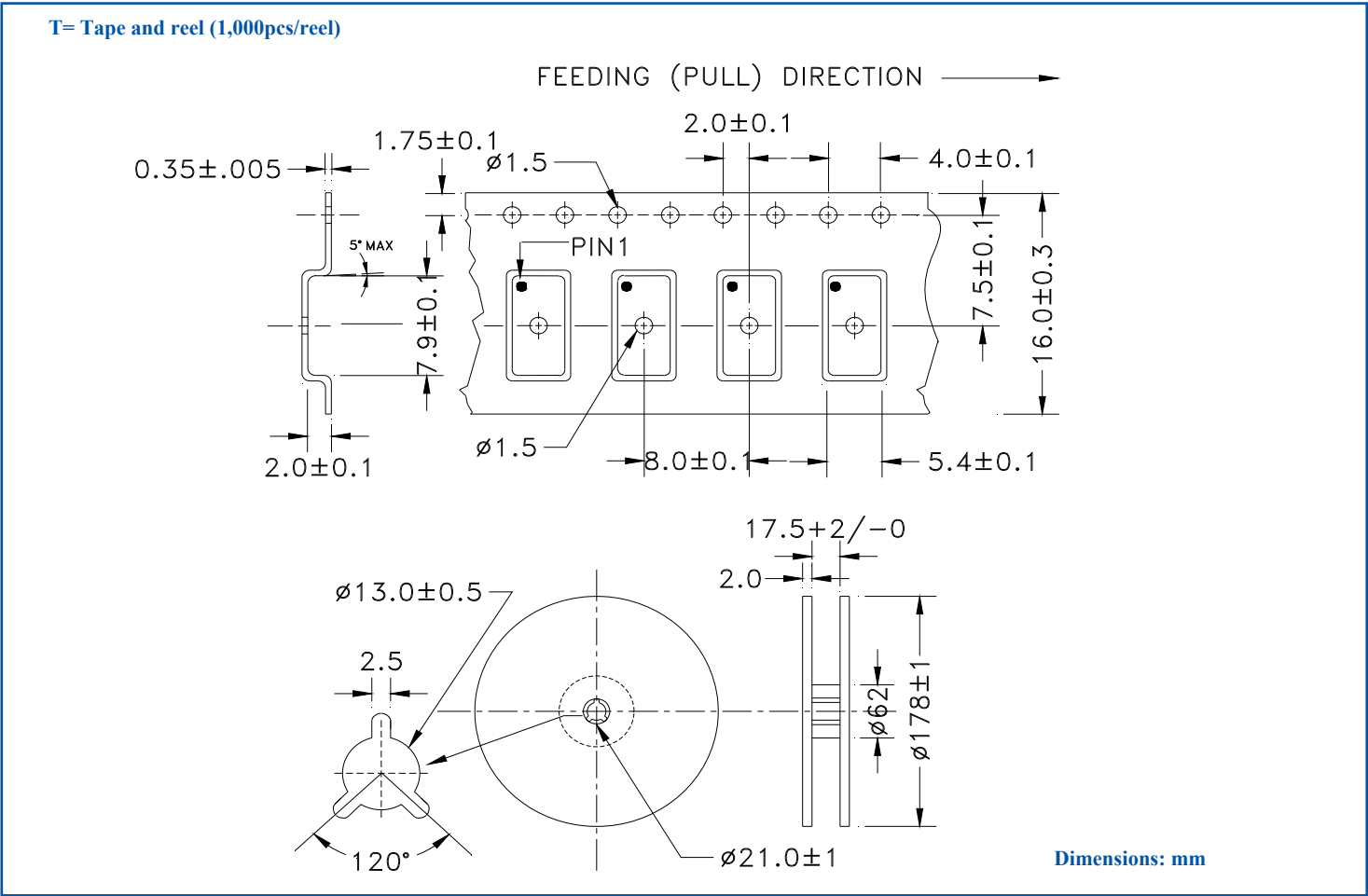
AP7S



REFLOW PROFILE:



TAPE & REEL:



Need a test socket for the AP7S Series? To view compatible **PRECISION TEST SOCKETS** for these parts, click here. P/N AXS-7050-04-01

ATTENTION: Abracon Corporation's products are COTS – Commercial-Off-The-Shelf products; suitable for Commercial, Industrial and, where designated, Automotive Applications. Abracon's products are not specifically designed for Military, Aviation, Aerospace, Life-dependant Medical applications or any application requiring high reliability where component failure could result in loss of life and/or property. For applications requiring high reliability and/or presenting an extreme operating environment, written consent and authorization from Abracon Corporation is required. Please contact Abracon Corporation for more information.

ABRACON IS
ISO 9001:2008
CERTIFIED



Visit www.abracon.com for Terms & Conditions of Sale **Revised: 07.03.11**
30332 Esperanza, Rancho Santa Margarita, California 92688
tel 949-546-8000 | fax 949-546-8001 | www.abracon.com

X-ON Electronics

Largest Supplier of Electrical and Electronic Components

Click to view similar products for [Standard Clock Oscillators](#) category:

Click to view products by [ABRACON](#) manufacturer:

Other Similar products are found below :

[601252](#) [F335-12](#) [F335-25](#) [F535L-33.333](#) [F535L-50](#) [ASV-20.000MHZ-LR-T](#) [ECS-2018-160-BN-TR](#) [MXO45HS-2C-66.6666MHZ](#)
[SiT8209AI-32-33E-125.000000](#) [SIT8918AA-11-33S-50.000000G](#) [SM4420TEV-40.0M-T1K](#) [F335-24](#) [F335-40](#) [F535L-10](#) [F535L-12](#) [F535L-16](#) [F535L-24](#) [F535L-27](#) [F535L-48](#) [PE7744DW-100.0M](#) [CSX-750FCC14745600T](#) [ASF1-3.686MHZ-N-K-S](#) [XO57CTECNA3M6864](#) [ECS-2100A-147.4](#) [601251](#) [EP16E7E2H26.000MTR](#) [SIT8918AA-11-33S-16.000000G](#) [XO3003](#) [9120AC-2D2-33E212.500000](#) [9102AI-243N25E100.00000](#) [8208AC-82-18E-25.00000](#) [ASDK2-32.768KHZ-LR-T3](#) [8008AI-72-XXE-24.545454E](#) [8004AC-13-33E-133.33000X](#) [AS-4.9152-16-SMD-TR](#) [ASFL1-48.000MHZ-LC-T](#) [SIT8920AM-31-33E-25.0000](#) [DSC1028DI2-019.2000](#) [9121AC-2C3-25E100.00000](#) [9102AI-233N33E100.00000X](#) [9102AI-233N25E200.00000](#) [9102AI-232H25S125.00000](#) [9102AI-133N25E200.00000](#) [9102AC-283N25E200.00000](#) [9001AC-33-33E1-30.000](#) [XLH536125.000JS4I](#) [3921AI-2CF-33NZ125.000000](#) [5730-1SF](#) [PXA000010](#) [SIT1602BC-83-33E-10.000000Y](#)