

# GPS/Galileo + GLONASS Ceramic Patch Antenna



APAKN2504-C2G-T

25.0 x 25.0 x 4.0mm  
RoHS/RoHS II Compliant  
MSL = 1

## FEATURES

- Gain of 3.6 dBi
- 1575.42 and 1602 MHz bands
- RHCP polarization
- 25.0 x 25.0 x 4.0mm form factor

## APPLICATIONS

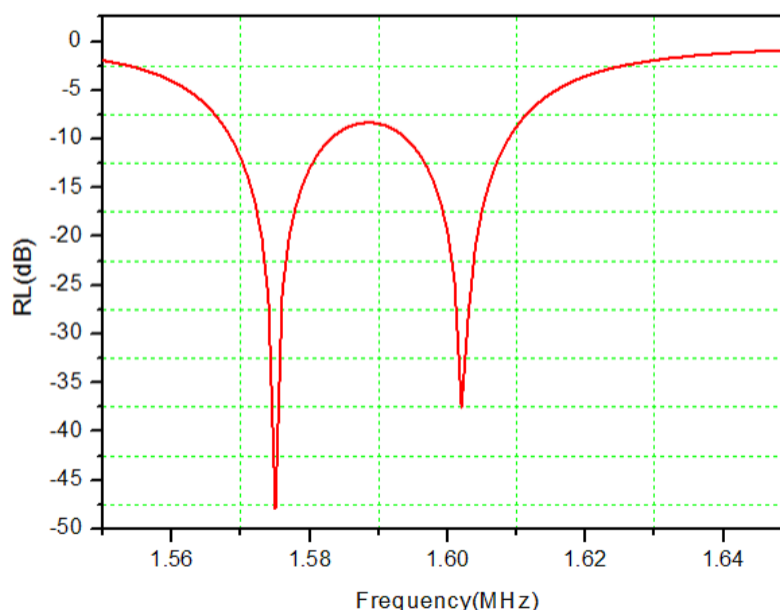
- GPS/GNSS
- Galileo
- GLONASS
- IoT
- Remote technology/monitoring
- M2M

## ELECTRICALSPECIFICATIONS

Parameters	min	Typ.	Max.	Units	Note
<b>Application Band: GPS / Galileo</b>		1575.42±1.023		MHz	( On a 70*70mm Ground Plane )
Return Loss: GPS / Galileo			-10	dB	
Gain (Peak): GPS / Galileo		3.6		dBi	
<b>Application Band: GLONASS</b>		1602±5.0		MHz	( On a 70*70mm Ground Plane )
Return Loss: GLONASS			-10	dB	
Gain (Peak): GLONASS		3.6		dBi	
Polarization Model	RHCP				
Impedance	50			Ω	
Frequency Temperature Coefficient			20	ppm/°C	

(\*) Application environment, including size of the ground plane, proximity to adjacent components, etc., will affect stated performance. Fine tuning might be required when installed on end-customer's PCB. Abracon offers Antenna Optimization Service, please contact Abracon.

## RETURN LOSS CHARACTERISTIC



Return Loss characteristic shows a dual band response for GPS/Galileo & GLONASS



5101 Hidden Creek Ln Spicewood TX 78669  
Phone: 512-371-6159 | Fax: 512-351-8858  
For terms and conditions of sales, please visit:  
[www.abracon.com](http://www.abracon.com)

REVISED: 05.11.2020

ABRACON IS  
ISO9001-2015  
CERTIFIED

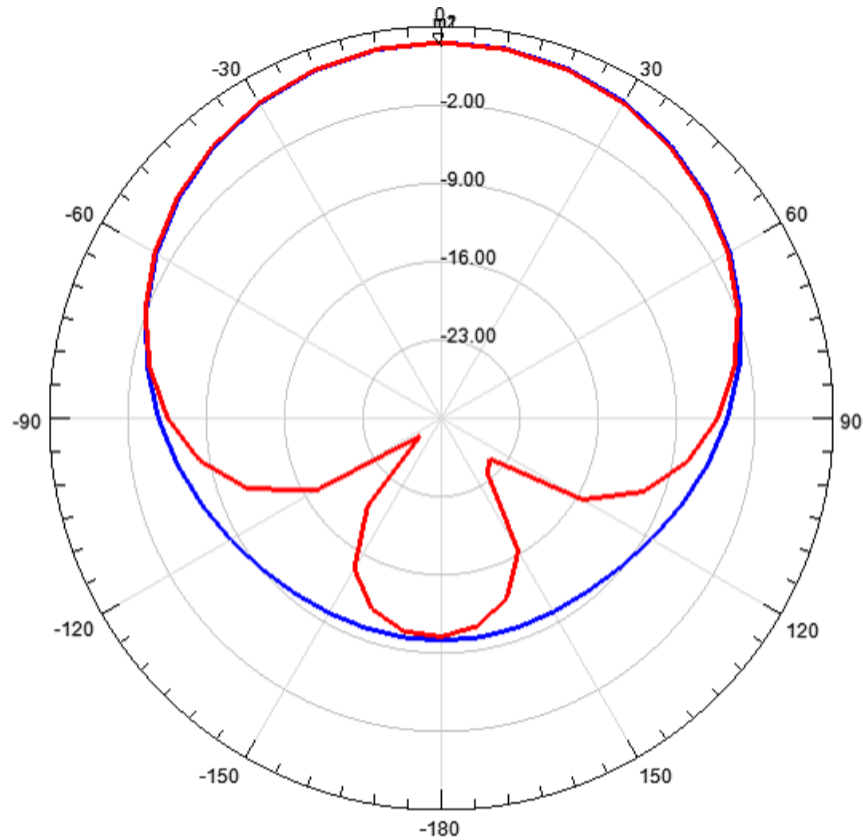
# GPS/Galileo + GLONASS Ceramic Patch Antenna



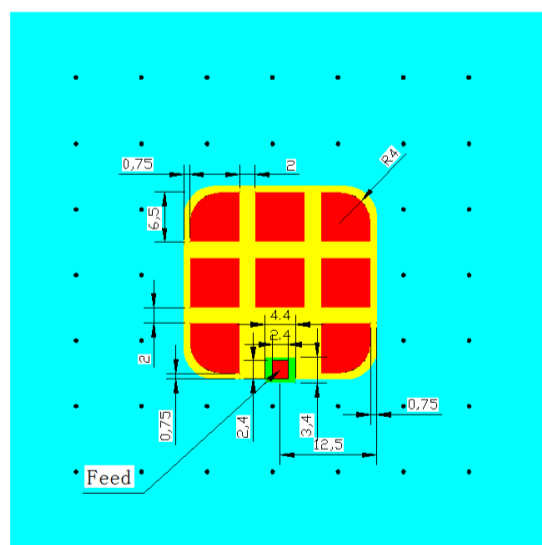
APAKN2504-C2G-T

25.0 x 25.0 x 4.0mm  
RoHS/RoHS II Compliant  
MSL = 1

## RADIATION PATTERN (X-Y PLANE)



## LANDING PATTERN



- Via Thru Hole
- Solder Pattern
- No Ground
- Solder Register
- Ground

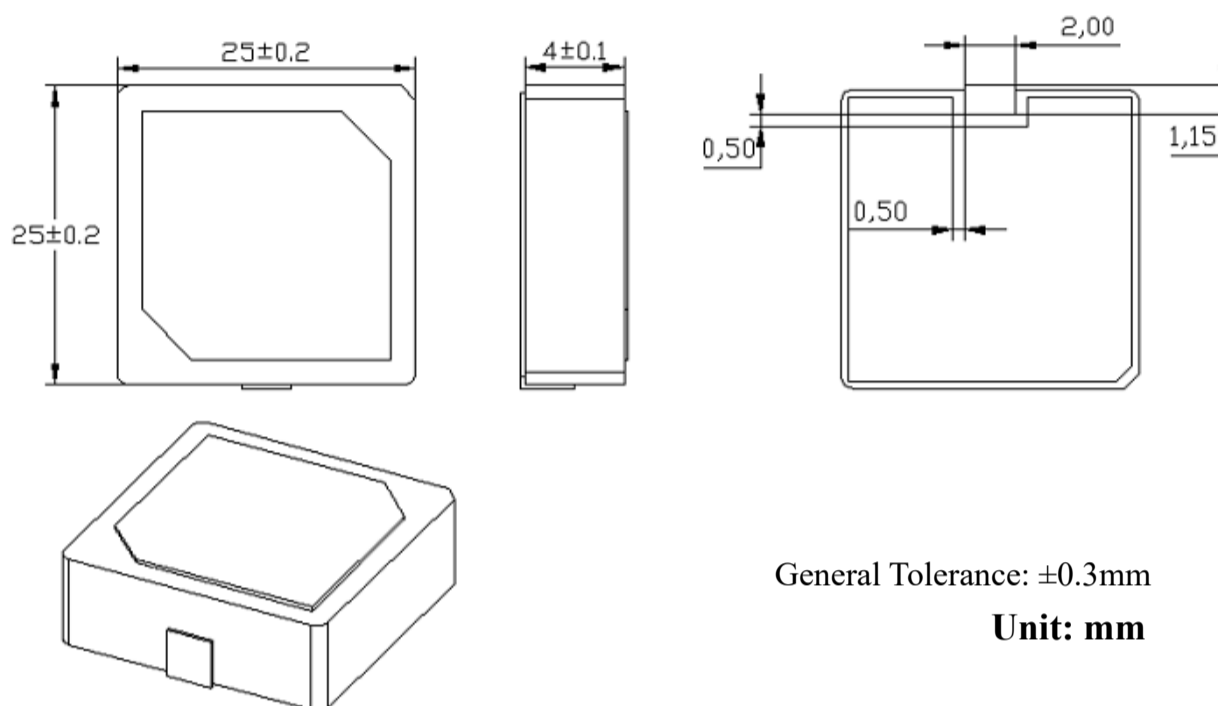
# GPS/Galileo + GLONASS Ceramic Patch Antenna



APAKN2504-C2G-T

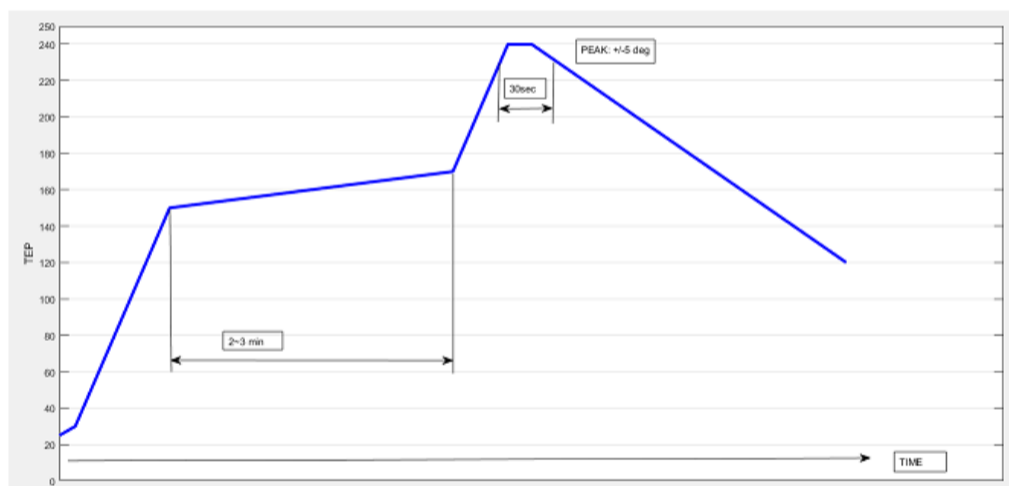
25.0 x 25.0 x 4.0mm  
RoHS/RoHS II Compliant  
MSL = 1

## OUTLINEDIMENSIONS



## REFLOW PROFILE

Solder Paste: Sn/Ag/Cu: 96.5/3.0/0.5  
Recommended reflow condition:



## PACKAGING

Package is made of corrugated paper with thickness of 0.8cm. Carton has 4 inner boxes; each box has 1 vacuum bag.

Quantity:

Per package base	: 50 elements
Per vacuum bag	: 5 package bases
Per inner box	: 1 vacuum bag
Per package	: 4 inner boxes
Total No of piece/package	: 1000
Gross Weight	: 12 Kg
Carton Dimensions	: 37x37x17cm



5101 Hidden Creek Ln Spicewood TX 78669  
Phone: 512-371-6159 | Fax: 512-351-8858  
For terms and conditions of sales, please visit:  
[www.abracon.com](http://www.abracon.com)

REVISED: 05.11.2020

ABRACON IS  
ISO9001-2015  
CERTIFIED

## X-ON Electronics

Largest Supplier of Electrical and Electronic Components

*Click to view similar products for [Antennas](#) category:*

*Click to view products by [Abracon](#) manufacturer:*

Other Similar products are found below :

[GAN30084EU](#) [930-033-R](#) [GW17.07.0250E](#) [1513563-1](#) [EXE902SM](#) [APAMPG-117](#) [MAF94383](#) [W3908B0100](#) [W6102B0100](#) [YE572113-30RSMM](#) [108-00014-50](#) [66089-2406](#) [A09-F8NF-M](#) [A09-F5NF-M](#) [RGFRA1903041A1T](#) [W3593B0100](#) [W3921B0100](#) [SIMNA-868](#) [SIMNA-915](#) [SIMNA-433](#) [W1044](#) [W1049B090](#) [A75-001](#) [WTL2449CQ1-FRSMM](#) [CPL9C](#) [EXB148BN](#) [0600-00060](#) [TRA9020S3PBN-001](#) [GD5W-28P-NF](#) [MA9-7N](#) [GD53-25](#) [GD5W-21P-NF](#) [EXB144SM](#) [C37](#) [MAF94051](#) [GD35-17P-NF](#) [P1744](#) [MA9-5N](#) [EXD420PL](#) [B1322NR](#) [QWFTB120](#) [MAF94271](#) [MAF94300](#) [GPSMB301](#) [FG4403](#) [AO-AGSM-OM54](#) [5200232](#) [MIKROE-2349](#) [WCM.01.0111](#) [MIKROE-2393](#)