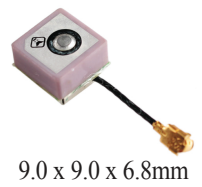


GPS Active Internal Patch

APAM0968JL03V2.0

RoHS/RoHS II compliant
MSL level: N/A



9.0 x 9.0 x 6.8mm

FEATURES:

- Automotive Navigation, Marine buoys,
- Personal Tracking
- Surveying equipment, Cell phone, Laptop,
- Healthcare and medical monitoring devices, PND, PDA

TYPICAL APPLICATIONS:

- Compact Size
- Easy to Install
- RoHS Compliant

STANDARD SPECIFICATIONS:

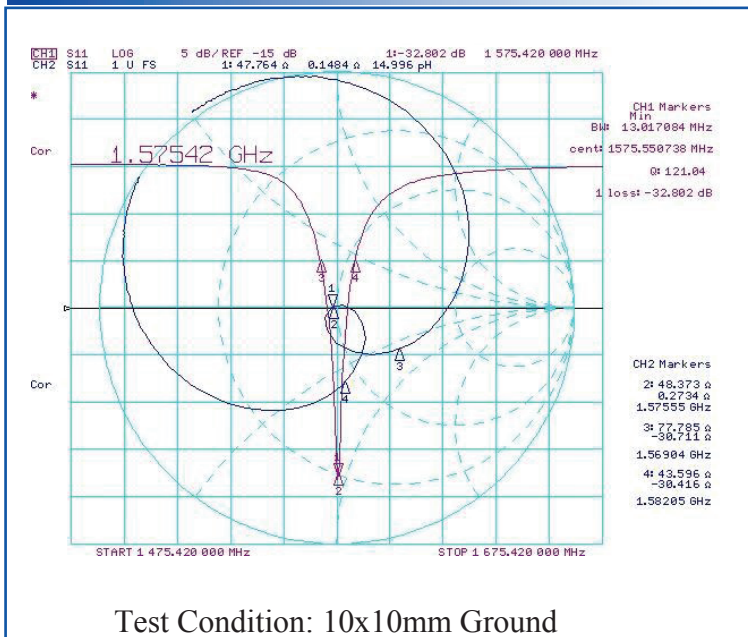
Antenna

| Parameters | Min. | Typ. | Max. | Units | Note |
|-------------------------|---------------|------|------|-------|--|
| Center Frequency | 1575.42± 1.02 | | | MHz | |
| Bandwidth | 2 | | | MHz | |
| Gain | | -3.0 | | dBic | (Peak gain on 70*70mm Ground Plane facing Zenith.) |
| VSWR @ Center Frequency | | 1.5 | | | |
| Polarization Model | RHCP | | | | (Right Hand Circular Polarization) |
| Impedance | 50 | | | Ω | |
| Working Temperature | -25 | | +72 | °C | |
| Storage Temperature | -45 | | +85 | °C | |

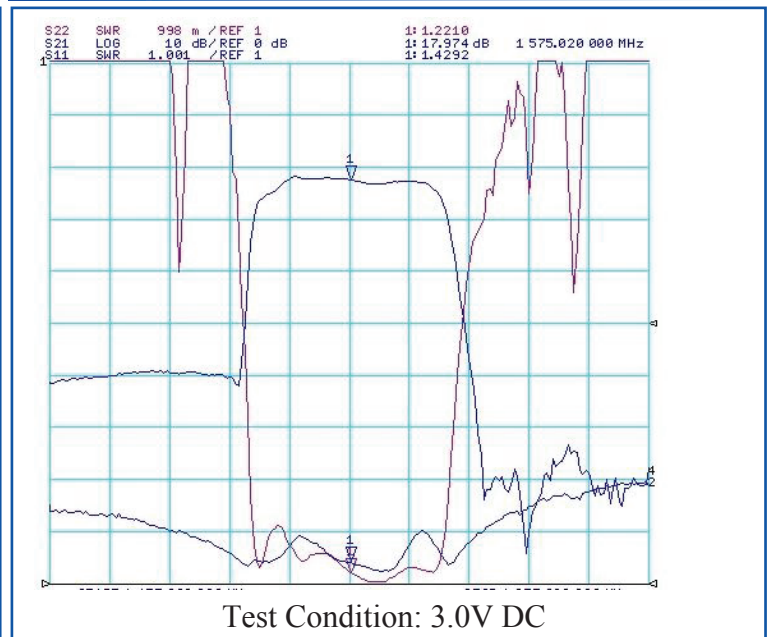
Low Noise Amplifier (LNA)

| Parameters | Min. | Typ. | Max. | Units | Note |
|------------------|---------------|------|------|-------|-----------------------------|
| Center Frequency | 1575.42± 1.02 | | | MHz | |
| DC Voltage | 2.70 | | 3.30 | V | |
| Gain | | 18 | | dB | (Without cable +25°C± 10°C) |
| Output VSWR | | 2.0 | | | |
| Noise Figure | | 2.0 | | | (+25°C± 10°C) |
| DC current | | 3.5 | | mA | (At 3.0V) |

SMITH CHART



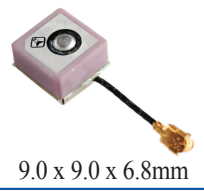
GPS LNA GAIN PLOT



GPS Active Internal Patch

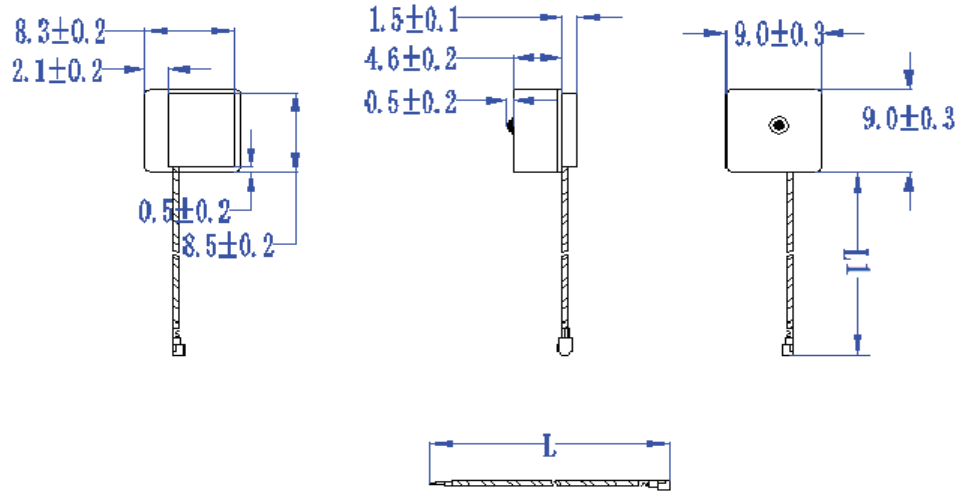
APAM0968JL03V2.0

RoHS/RoHS II compliant
MSL level: N/A



9.0 x 9.0 x 6.8mm

OUTLINE DIMENSION:

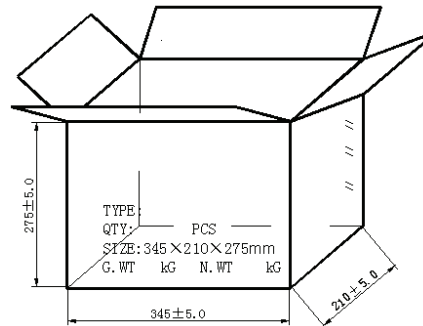
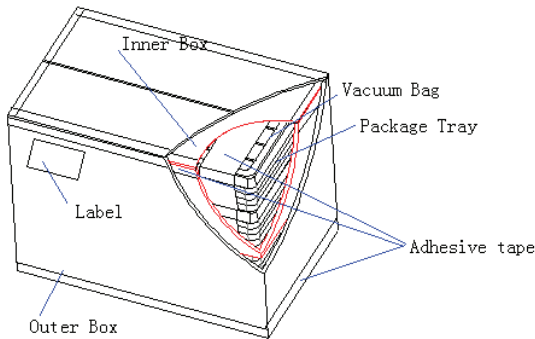
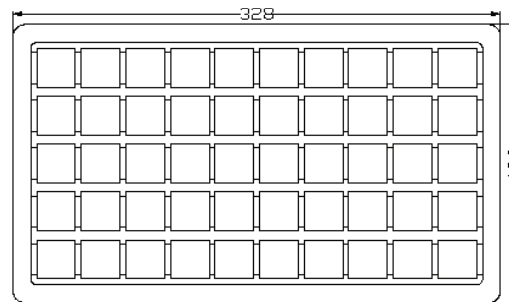


| Description | Material |
|--------------|------------------------------------|
| Antenna Type | Dielectric Ceramics |
| PCB | FR4 |
| Shielding | Tinplate |
| RF Cable | φ0.80±0.1mm, L1=12.5±1.5mm, L=20mm |
| RF Connector | I-PEX |
| Thickness | 6.8mm Max |

Unit: mm

PACKAGING:

| Package Type | Quantity |
|--------------|---|
| MOQ | 250pcs |
| Tray | 50pcs/tray |
| Vacuum Bag | 5 trays per Vacuum bag (250pcs per bag) |
| Outer Box | 4 bags = 1000pcs/carton |



The GPS antenna 50 pcs are packed per tray, 5 trays are packed per vacuum bag, 4 vacuum bags per carton, and 1000 pcs GPS antenna per carton. The size of each carton is 345*210*275mm.

ATTENTION: Abracon LLC's products are COTS – Commercial-Off-The-Shelf products; suitable for Commercial, Industrial and, where designated, Automotive Applications. Abracon's products are not specifically designed for Military, Aviation, Aerospace, Life-dependant Medical applications or any application requiring high reliability where component failure could result in loss of life and/or property. For applications requiring high reliability and/or presenting an extreme operating environment, written consent and authorization from Abracon LLC is required. Please contact Abracon LLC for more information.



5101 Hidden Creek Lane Spicewood TX 78669
Phone: 512-371-6159 | Fax: 512-351-8858
For terms and conditions of sale please visit:
www.abracon.com

REVISED: 08.03.2018

ABRACON IS
ISO9001-2015
CERTIFIED

X-ON Electronics

Largest Supplier of Electrical and Electronic Components

Click to view similar products for [Antennas](#) category:

Click to view products by [ABRACON](#) manufacturer:

Other Similar products are found below :

[GAN30084EU](#) [930-033-R](#) [GW17.07.0250E](#) [1513563-1](#) [EXE902SM](#) [APAMPG-117](#) [MAF94383](#) [W3908B0100](#) [W6102B0100](#) [YE572113-](#)
[30RSMM](#) [108-00014-50](#) [66089-2406](#) [A09-F8NF-M](#) [A09-F5NF-M](#) [RGFRA1903041A1T](#) [W3593B0100](#) [W3921B0100](#) [SIMNA-868](#) [SIMNA-](#)
[915](#) [SIMNA-433](#) [W1044](#) [W1049B090](#) [A75-001](#) [WTL2449CQ1-FRSMM](#) [CPL9C](#) [EXB148BN](#) [0600-00060](#) [TRA9020S3PBN-001](#) [GD5W-](#)
[28P-NF](#) [MA9-7N](#) [GD53-25](#) [GD5W-21P-NF](#) [EXB144SM](#) [C37](#) [MAF94051](#) [P1744](#) [MA9-5N](#) [EXD420PL](#) [B1322NR](#) [QWFTB120](#)
[MAF94271](#) [MAF94300](#) [GPSMB301](#) [FG4403](#) [AO-AGSM-OM54](#) [5200232](#) [MIKROE-2349](#) [WCM.01.0111](#) [MIKROE-2393](#) [MIKROE-2352](#)