

Bluetooth/Wi-Fi Antenna Module

APAMBJ-145

RoHS/RoHS II Compliant



Ø77.3 x 36.5 mm

MSL level: Not Applicable

FEATURES:

- Passive, External Dual band WiFi / Bluetooth antennas Covering WIFI / BLUETOOTH (2.4 GHz) and WIFI (5.1 - 5.9 GHz)
- Gain: 5 dBi max. at 2.4GHz; and 2dBi at 5.8GHz
- VSWR: 2:1
- RoHS/RoHS II compliant

TYPICAL APPLICATIONS:

- Vehicle WiFi Routers
- WiFi Terminals

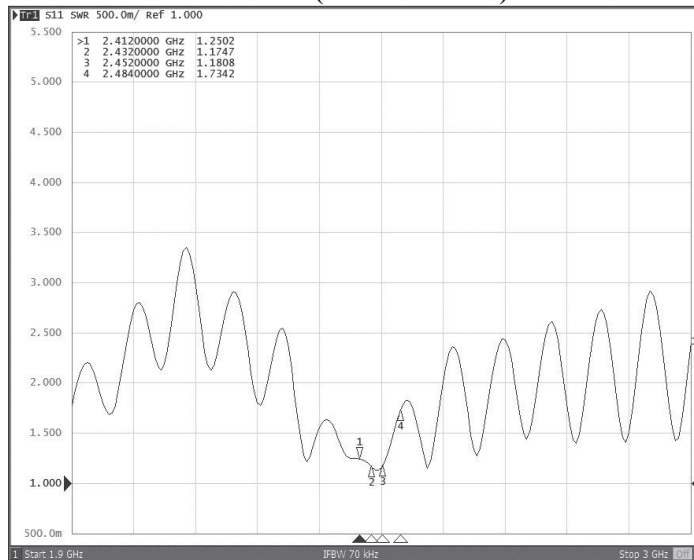
STANDARD SPECIFICATIONS:

Parameters	Min.	Typ.	Max.	Units	Note
Receiving Frequency		2.4		GHz	Wifi / Bluetooth
	5.1		5.9	GHz	WiFi
VSWR			2:1		
Polarization Model	Horizontal				
Impedance		50		Ω	
Gain			5	dBi	@ 2.4GHz
			2	dBi	@ 5.8 GHz
Operating Temperature	-40		+85	°C	

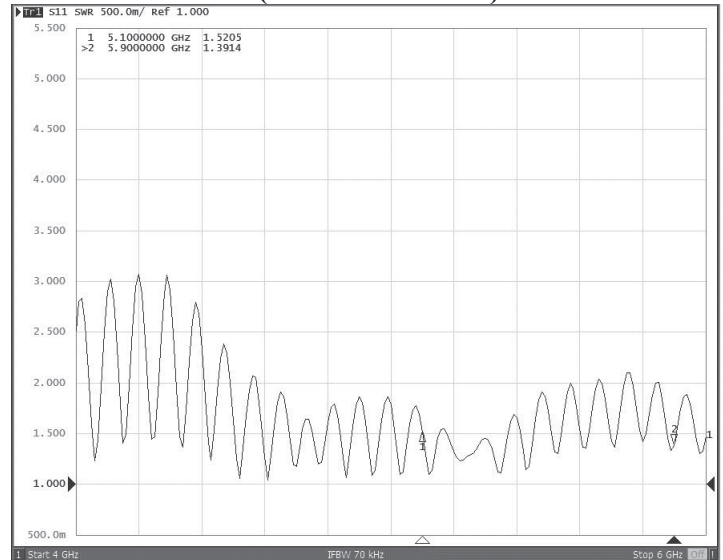
MEASUREMENTS:

Tested with 1m cable length on 30x30cm ground plane

VSWR (Wi-Fi 2.4GHz)



VSWR (Wi-Fi 5.1-5.9GHz)



Bluetooth/Wi-Fi Antenna Module

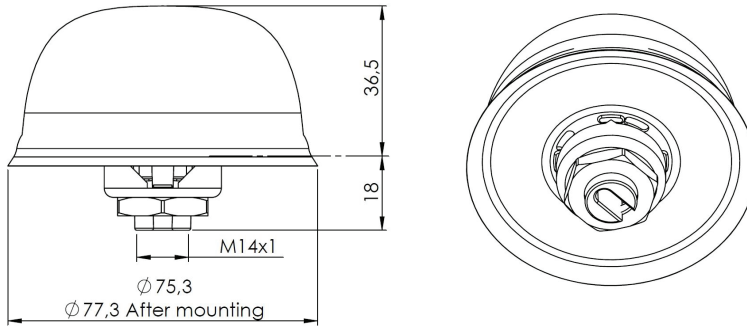
APAMBJ-145

RoHS/RoHS II Compliant



Ø77.3 x 36.5 mm

OUTLINE DIMENSION:



Parameters	Description
RF Connector	SMA Male
Weight	220g
Cable Type	RG174U
Cable Length	250cm
Lid	ABS
Base	Zamak
Gasket	TPE
Color	Black

PACKAGING:

Each antenna is packed individually in a 140x120x81mm box.



ABRACON IS
ISO9001:2008
CERTIFIED

 **ABRACON**[®] LLC
The Power of Linking Together

2 Faraday, Suite# B | Irvine | CA 92618 Revised: 02.09.16
Ph. 949.546.8000 | Fax. 949.546.8001
Visit www.abracon.com for Terms and Conditions of Sale

Bluetooth/Wi-Fi Antenna Module

APAMBJ-145

RoHS/RoHS II Compliant



Ø77.3 x 36.5 mm

CAUTION:

- (1) Do not apply excess mechanical stress to the component body or terminations. Do not attempt to re-form or bend the components as this will cause damage to the component.
- (2) Do not expose the component to open flame.
- (3) This specification applies to the functionality of the component as a single unit. Please insure the component is thoroughly evaluated in the application circuit.

NOTE:

- 1) The parts are manufactured in accordance with this specification. If other conditions and specifications which are required for this specification, please contact ABRACON for more information.
- 2) ABRACON will supply the parts in accordance with this specification unless we receive a written request to modify prior to an order placement.
- 3) In no case shall ABRACON be liable for any product failure from in appropriate handling or operation of the item beyond the scope of this specification.
- 4) When changing your production process, please notify ABRACON immediately.
- 5) ABRACON Corporation's products are COTS – Commercial-Off-The-Shelf products; suitable for Commercial, Industrial and, where designated, Automotive Applications. ABRACON's products are not specifically designed for Military, Aviation, Aerospace, Life-dependant Medical applications or any application requiring high reliability where component failure could result in loss of life and/or property. For applications requiring high reliability and/or presenting an extreme operating environment, written consent and authorization from ABRACON Corporation is required. Please contact ABRACON Corporation for more information.
- 6) All specifications and Marking will be subject to change without notice.

ATTENTION: Abracon Corporation's products are COTS – Commercial-Off-The-Shelf products; suitable for Commercial, Industrial and, where designated, Automotive Applications. Abracon's products are not specifically designed for Military, Aviation, Aerospace, Life-dependant Medical applications or any application requiring high reliability where component failure could result in loss of life and/or property. For applications requiring high reliability and/or presenting an extreme operating environment, written consent and authorization from Abracon Corporation is required. Please contact Abracon Corporation for more information.

ABRACON IS
ISO9001:2008
CERTIFIED



2 Faraday, Suite# B | Irvine | CA 92618 **Revised: 02.09.16**
Ph. 949.546.8000 | Fax. 949.546.8001
Visit www.abracon.com for Terms and Conditions of Sale

X-ON Electronics

Largest Supplier of Electrical and Electronic Components

Click to view similar products for [Antennas](#) category:

Click to view products by [ABRACON](#) manufacturer:

Other Similar products are found below :

[GAN30084EU](#) [930-033-R](#) [GW17.07.0250E](#) [1513563-1](#) [EXE902SM](#) [APAMPG-117](#) [MAF94383](#) [W3908B0100](#) [W6102B0100](#) [YE572113-30RSMM](#) [108-00014-50](#) [66089-2406](#) [A09-F8NF-M](#) [A09-F5NF-M](#) [RGFRA1903041A1T](#) [W3593B0100](#) [W3921B0100](#) [SIMNA-868](#) [SIMNA-915](#) [SIMNA-433](#) [W1044](#) [W1049B090](#) [A75-001](#) [WTL2449CQ1-FRSMM](#) [CPL9C](#) [EXB148BN](#) [0600-00060](#) [TRA9020S3PBN-001](#) [GD5W-28P-NF](#) [MA9-7N](#) [GD53-25](#) [GD5W-21P-NF](#) [EXB144SM](#) [C37](#) [MAF94051](#) [GD35-17P-NF](#) [P1744](#) [MA9-5N](#) [EXD420PL](#) [B1322NR](#) [QWFTB120](#) [MAF94271](#) [MAF94300](#) [GPSMB301](#) [FG4403](#) [AO-AGSM-OM54](#) [5200232](#) [MIKROE-2349](#) [WCM.01.0111](#) [MIKROE-2393](#)