

Tetra Antenna Module

APAMSTJ-139

RoHS/RoHS II compliant



54.6xØ13.2mm

MSL level: Not Applicable

FEATURES:

- TETRA Whip Antenna (380 ~ 500MHz)
- Compact design 54.6mm x 13.2mm
- Ground Plane type
- Gain (2dBi max)
- VSWR 1.5:1 max
- Whip mount with male SMA
- RoHS/RoHS II compliant

TYPICAL APPLICATIONS:

- TETRA Radios
- Emergency Services
- Public Safety

STANDARD SPECIFICATIONS:

Parameters	Min.	Typ.	Max.	Units	Note
Receiving Frequency	380		500	MHz	(Center frequency can be tuned between 380-500 MHz)
Bandwidth	15	20	25	MHz	
VSWR			1.5:1		
Polarization Model	Vertical				
Impedance		50		Ω	
Gain			2.0	dBi	
Operating Temperature	-40		+85	$^{\circ}\text{C}$	

ANTENNA MATCHING S11 CHARACTERISTICS

Antenna is tuned to 433MHz on 45x90mm ground plane.

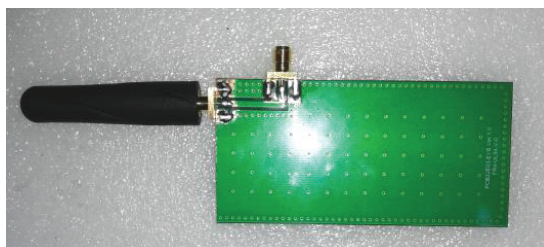


Figure 1 - Antenna placement with grounding board

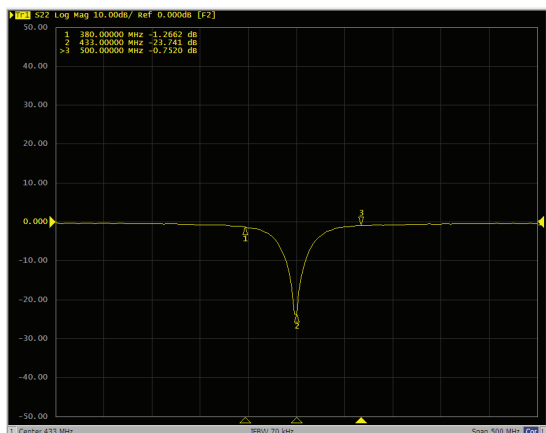


Figure 2 - Log Mag
(Tuned on 45x90mm ground plane to 433MHz)

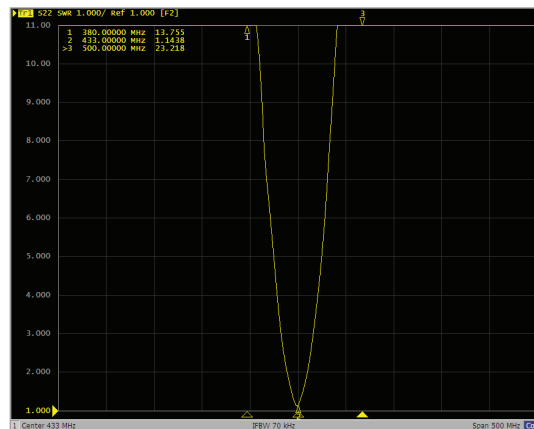


Figure 3 - VSWR
(Tuned on 45x90mm ground plane to 433MHz)

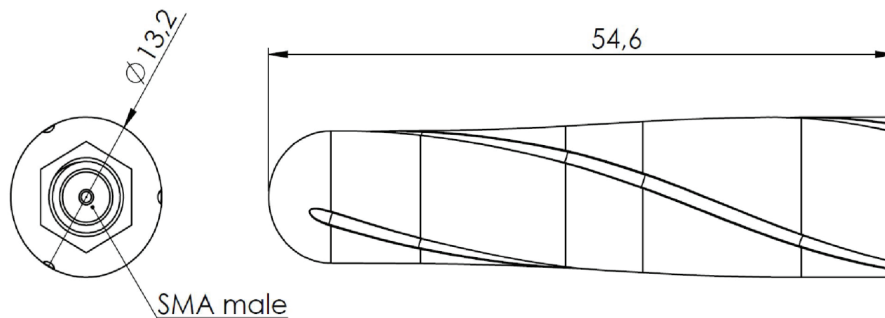
Tetra Antenna Module

APAMSTJ-139

RoHS/RoHS II compliant



OUTLINE DRAWING:



Parameters	Description
RF Connector	SMA Male
Weight	11 g
Material	TPE
Color	Black

Unit: mm

PACKAGING:

Each antenna is packed individually in a poly bag. 1000 pieces is the suggested quantity in a 465 x 310 x 250mm size box.



CAUTION:

- (1) Do not apply excess mechanical stress to the component body or terminations. Do not attempt to re-form or bend the components as this will cause damage to the component.
- (2) Do not expose the component to open flame.
- (3) This specification applies to the functionality of the component as a single unit. Please ensure the component is thoroughly evaluated in the application circuit.

ATTENTION: Abracon Corporation's products are COTS – Commercial-Off-The-Shelf products; suitable for Commercial, Industrial and, where designated, Automotive Applications. Abracon's products are not specifically designed for Military, Aviation, Aerospace, Life-dependant Medical applications or any application requiring high reliability where component failure could result in loss of life and/or property. For applications requiring high reliability and/or presenting an extreme operating environment, written consent and authorization from Abracon Corporation is required. Please contact Abracon Corporation for more information.

ABRACON IS
ISO9001:2008
CERTIFIED



2 Faraday, Suite# B | Irvine | CA 92618 Revised: 06.11.15
Ph. 949.546.8000 | Fax. 949.546.8001
Visit www.abracon.com for Terms and Conditions of Sale

X-ON Electronics

Largest Supplier of Electrical and Electronic Components

Click to view similar products for [Antennas](#) category:

Click to view products by [ABRACON](#) manufacturer:

Other Similar products are found below :

[GAN30084EU](#) [930-033-R](#) [GW17.07.0250E](#) [1513563-1](#) [EXE902SM](#) [APAMPG-117](#) [MAF94383](#) [W3908B0100](#) [W6102B0100](#) [YE572113-30RSMM](#) [108-00014-50](#) [66089-2406](#) [A09-F8NF-M](#) [A09-F5NF-M](#) [RGFRA1903041A1T](#) [W3593B0100](#) [W3921B0100](#) [SIMNA-868](#) [SIMNA-915](#) [SIMNA-433](#) [W1044](#) [W1049B090](#) [A75-001](#) [WTL2449CQ1-FRSMM](#) [CPL9C](#) [EXB148BN](#) [0600-00060](#) [TRA9020S3PBN-001](#) [GD5W-28P-NF](#) [MA9-7N](#) [GD53-25](#) [GD5W-21P-NF](#) [EXB144SM](#) [C37](#) [MAF94051](#) [GD35-17P-NF](#) [P1744](#) [MA9-5N](#) [EXD420PL](#) [B1322NR](#) [QWFTB120](#) [MAF94271](#) [MAF94300](#) [GPSMB301](#) [FG4403](#) [AO-AGSM-OM54](#) [5200232](#) [MIKROE-2349](#) [WCM.01.0111](#) [MIKROE-2393](#)