

# GPS/GLONASS/Beidou Ceramic Patch Antenna



APARM1804-SG3



18.0 x 18.0 x 4.0 mm  
RoHS/RoHS II Compliant  
MSL = N/A

## Features

- Multiband GPS/GLONASS/Beidou/GNSS patch
- Low VSWR of 1.8
- Gain of 3.0/2.0/4.0 dBi
- RHCP polarization
- 18.0 x 18.0 x 4.0 mm

## Applications

- GPS/GLONASS/Galileo/Beidou applications
- IoT
- M2M
- Remote technology monitoring
- Geofencing
- Surveying and mapping systems
- Logistics

## Electrical Characteristics

Item	Spec <sup>*/**</sup>			Comments
Receiving Frequencies (MHz)	1561.098±2.046	1575.42±1.023	1602±5.0	BeiDou / GPS and GLONASS
Center Frequency	1586MHz ±3.0MHz			With 79.1×44.6 mm GND Plane
VSWR	1.8 : 1 max			At Center Frequency
Bandwidth	26MHz			Return Loss @ -10dB
Gain @ Zenith (dBi) Typical	+3.0 dBi	+2.0 dBi	+4.0 dBi	
Impedance	50 Ω			
Operating Temperature	-40°C ~ 105°C			
Frequency Temperature Coefficient	-40°C ~ 105°C			0±20ppm / °C

\*\* The antenna has the electrical characteristics given in the tables in the temperature range of -40°C to +105°C and under the environmental conditions of +40°C and 0-95%r.h.

# GPS/GLONASS/Beidou Ceramic Patch Antenna

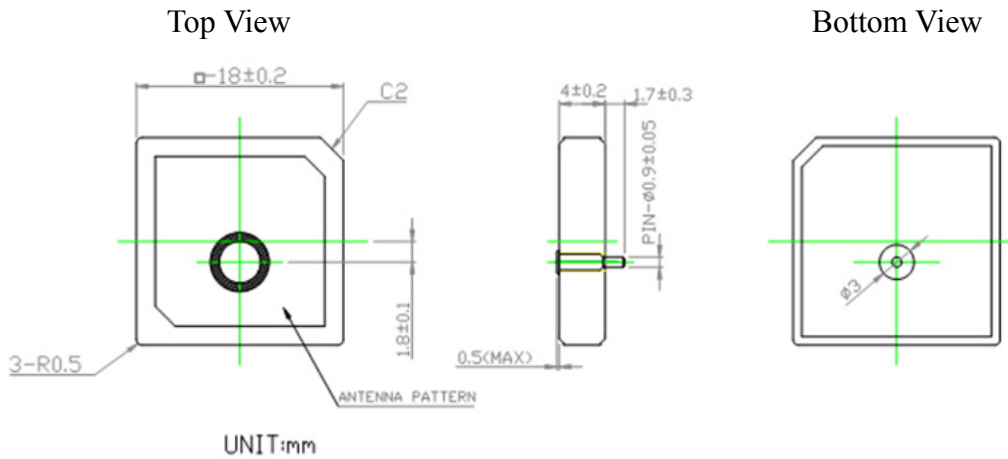


APARM1804-SG3



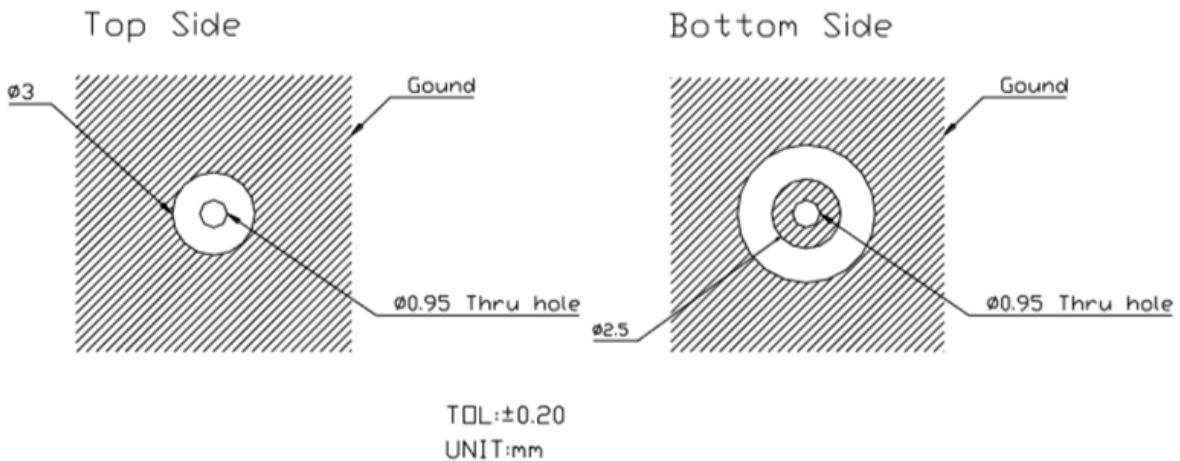
18.0 x 18.0 x 4.0 mm  
RoHS/RoHS II Compliant  
MSL = N/A

## Outline Dimensions



Dimensions (mm)

## Layout Dimensions



# GPS/GLONASS/Beidou Ceramic Patch Antenna

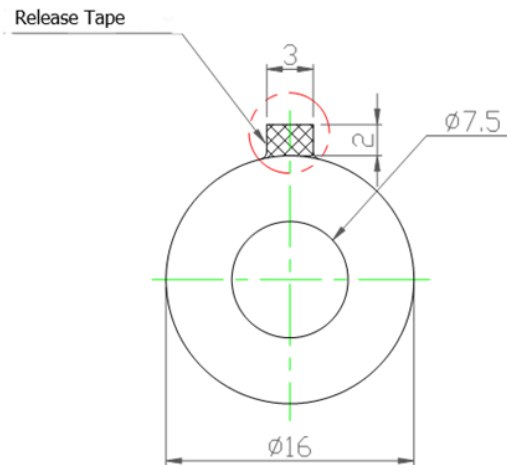


APARM1804-SG3



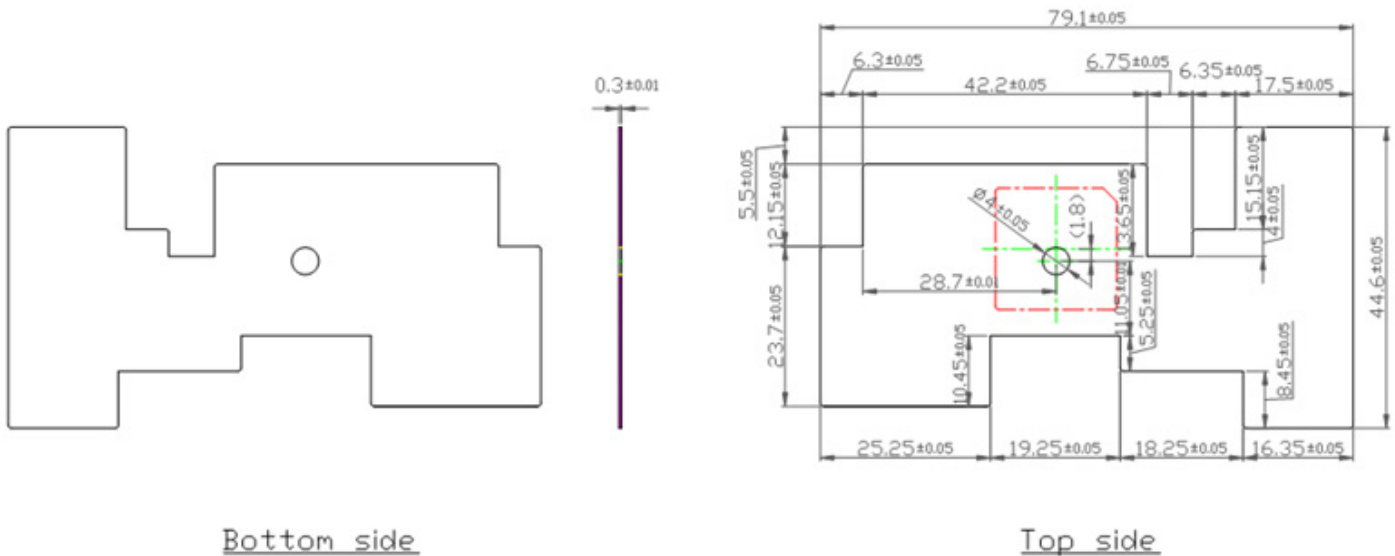
18.0 x 18.0 x 4.0 mm  
RoHS/RoHS II Compliant  
MSL = N/A

## Tape Dimensions



Dimensions (mm), Tol 0.2 mm

## Fixture Dimensions



Dimensions (mm)

# GPS/GLONASS/Beidou Ceramic Patch Antenna

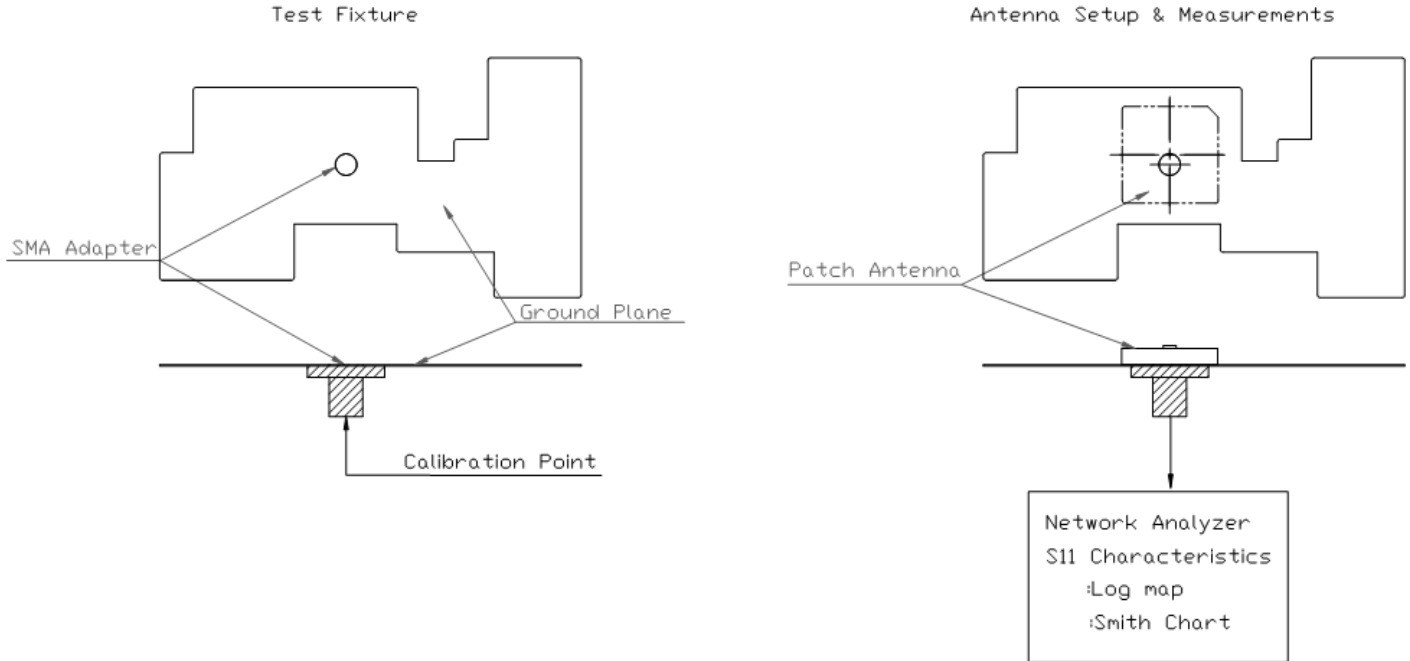


APARM1804-SG3



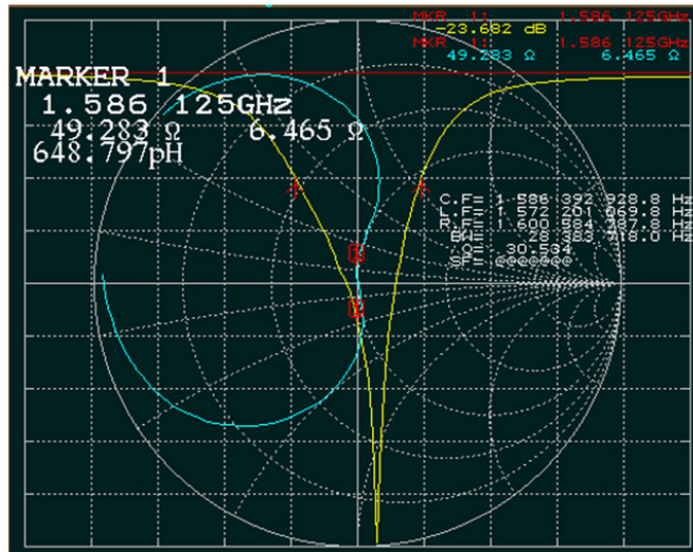
18.0 x 18.0 x 4.0 mm  
RoHS/RoHS II Compliant  
MSL = N/A

## Test Fixture Antenna Set-Up and Measurements



## Antenna Response

Return Loss, SWR, Impedance, measured on the test fixture, at 25°C



# GPS/GLONASS/Beidou Ceramic Patch Antenna



APARM1804-SG3



18.0 x 18.0 x 4.0 mm  
RoHS/RoHS II Compliant  
MSL = N/A

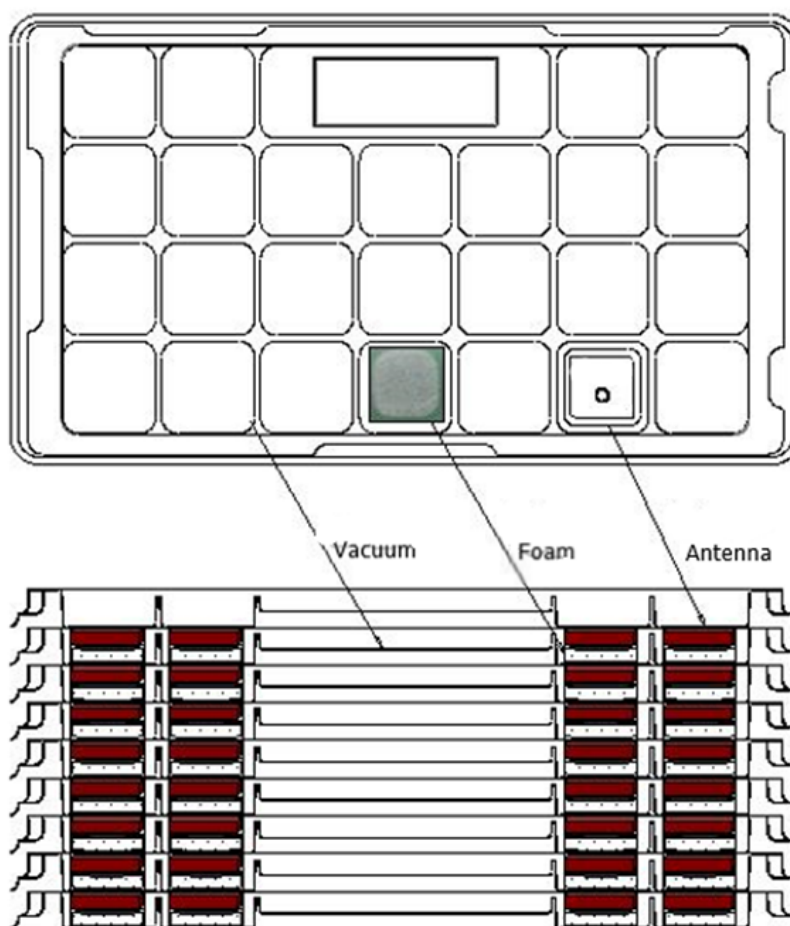
## Soldering - Feed Pin Temperature - Range

Feed pin temperature range Maximum temperature for soldering of feed pin is +290°C for 3 second

## Packaging

### DA Tray Packaging

Tray: 25pcs per Tray



# GPS/GLONASS/Beidou Ceramic Patch Antenna



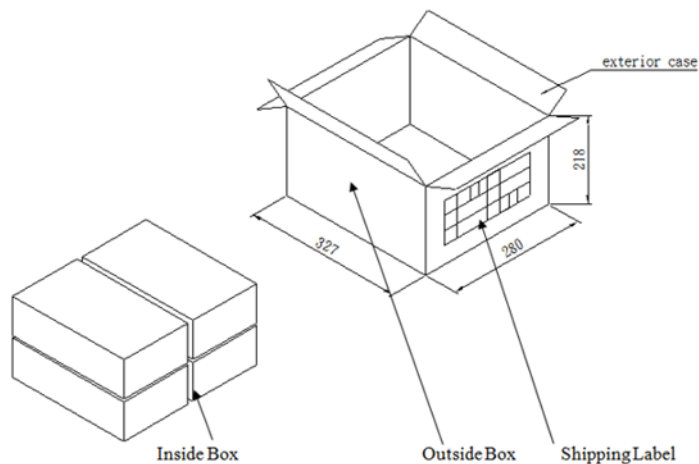
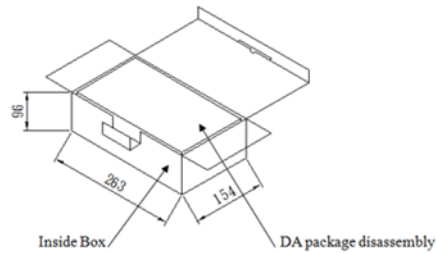
A Parm1804-SG3



18.0 x 18.0 x 4.0 mm  
RoHS/RoHS II Compliant  
MSL = N/A

## Carton Packaging

Inner Box: 200pcs (8 Trays x 25pcs)



Outer Box : 800pcs (4 inner box x 200pcs)

**ATTENTION:** Abracon LLC's products are COTS – Commercial-Off-The-Shelf products; suitable for Commercial, Industrial and, where designated, Automotive Applications. Abracon's products are not specifically designed for Military, Aviation, Aerospace, Life-dependant Medical applications or any application requiring high reliability where component failure could result in loss of life and/or property. For applications requiring high reliability and/or presenting an extreme operating environment, written consent and authorization from Abracon LLC is required. Please contact Abracon LLC for more information.



5101 Hidden Creek Ln Spicewood TX 78669  
Phone: 512-371-6159 | Fax: 512-351-8858  
For terms and conditions of sales, please visit:  
[www.abracon.com](http://www.abracon.com)

REVISED: 11.12.2018

ABRACON IS  
ISO9001-2015  
CERTIFIED

## X-ON Electronics

Largest Supplier of Electrical and Electronic Components

*Click to view similar products for [Antennas](#) category:*

*Click to view products by [Abracon](#) manufacturer:*

Other Similar products are found below :

[GAN30084EU](#) [930-033-R](#) [GW17.07.0250E](#) [1513563-1](#) [EXE902SM](#) [APAMPG-117](#) [MAF94383](#) [W3908B0100](#) [W6102B0100](#) [YE572113-30RSMM](#) [108-00014-50](#) [66089-2406](#) [A09-F8NF-M](#) [A09-F5NF-M](#) [RGFRA1903041A1T](#) [W3593B0100](#) [W3921B0100](#) [SIMNA-868](#) [SIMNA-915](#) [SIMNA-433](#) [W1044](#) [W1049B090](#) [A75-001](#) [WTL2449CQ1-FRSMM](#) [CPL9C](#) [EXB148BN](#) [0600-00060](#) [TRA9020S3PBN-001](#) [GD5W-28P-NF](#) [MA9-7N](#) [GD53-25](#) [GD5W-21P-NF](#) [EXB144SM](#) [C37](#) [MAF94051](#) [GD35-17P-NF](#) [P1744](#) [MA9-5N](#) [EXD420PL](#) [B1322NR](#) [QWFTB120](#) [MAF94271](#) [MAF94300](#) [GPSMB301](#) [FG4403](#) [AO-AGSM-OM54](#) [5200232](#) [MIKROE-2349](#) [WCM.01.0111](#) [MIKROE-2393](#)