

RJ45 Jack, Right Angle, Tab Down, Shielded, Low Profile, 8P8C

ARJ014-011157

RoHS/RoHS II Compliant



15.74 x 11.75 x 18.65mm

FEATURES:

- 8P8C standard DIP Jack
- Compliant with IEEE802.3 standard
- High performance for maximum EMI suppression
- High reliability 750 mating/unmating cycles

APPLICATIONS:

- Designed for most leading PHY IC manufacturers such as Broadcom, Marvell, Microsemi.
- Side entry with wide temperature range(-40°C~85°C)
- Applicable for Ethernet Switch, Servers, & Access Point Routers

STANDARD SPECIFICATIONS

Operating temperature range: -40°C to +85°C Storage temperature range: -40°C to +85°C

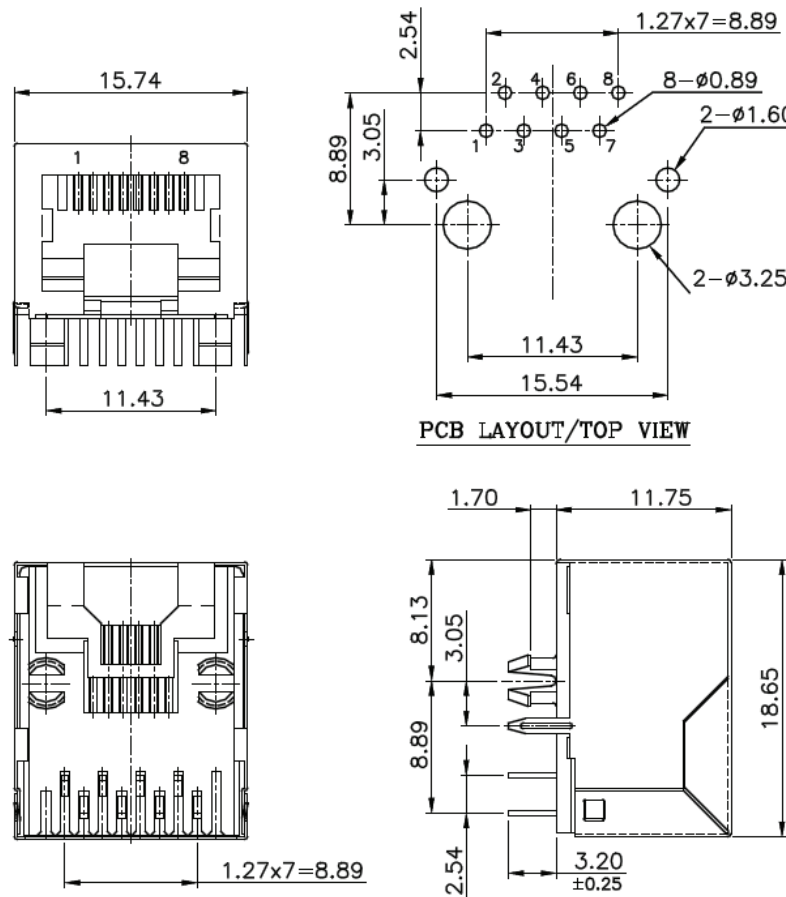
Standard Electrical Specifications

Voltage Rating: 125 Vac RMS
Current Rating: 1.5 Amp
Contact Resistance: 40 mΩ Max
Insulation resistance: 1000 MΩ Min @500 Vdc
Dielectric strength: 1000Vac RMS @50 or 60Hz, 1Min

Standard Mechanical Specifications

Mating/Unmating force: 2.2kgF max
Retention strength: 7.7kgF min between jack and plug
Operating life: 750 cycles min

MECHANICAL DIMENSIONS



Dimensions: mm

RJ45 Jack, Right Angle, Tab Down, Shielded, Low Profile, 8P8C

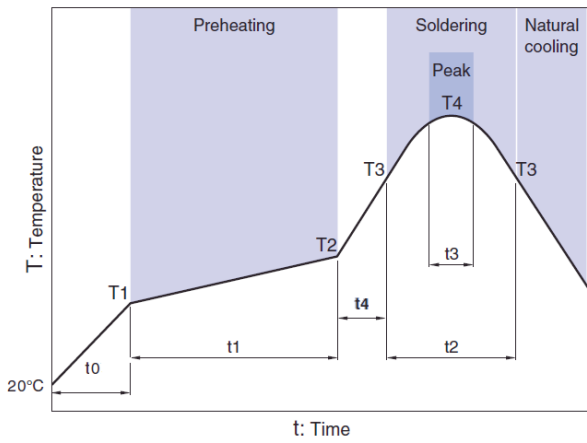
ARJ014-011157

RoHS/RoHS II Compliant



15.74 x 11.75 x 18.65mm

DIP WAVE SOLDERING CURVE



Profile Feature	Pb-Free Assembly
Preheat -Temperature Min -Temperature Max -Time (min to max)	100°C 200°C 60-120 seconds
Time maintained above: -Temperature -Time	200°C 30 seconds
Peak/Classification Temperature	230±5°C
Time within 230±5°C of actual Peak Temperature	5 seconds
Time 25°C to Peak Temperature	4 minutes 30 sec. max.

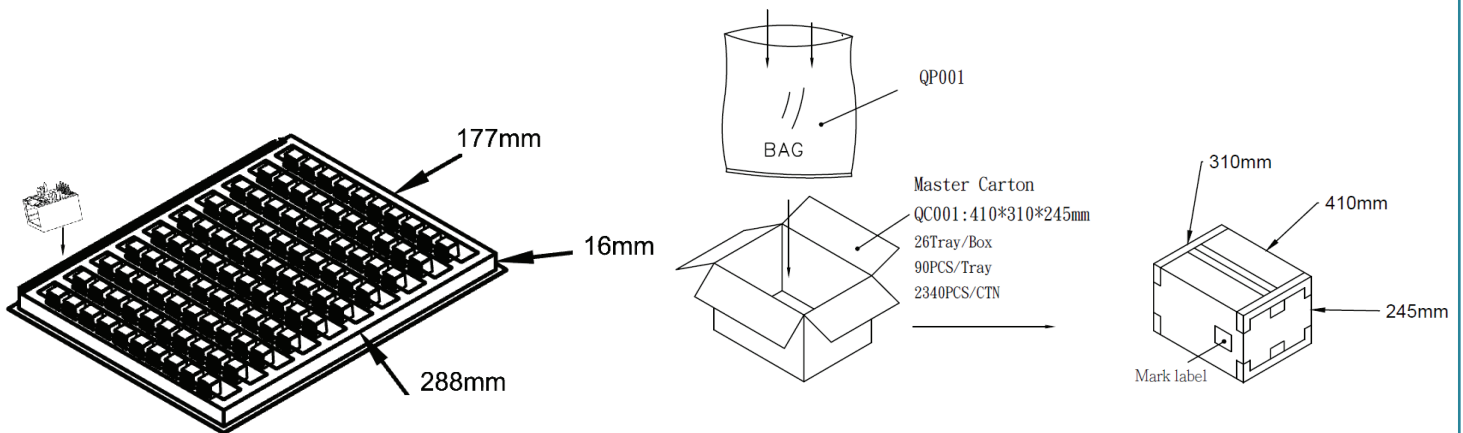
Preheating				Soldering				Peak	
Temp.	T2	t0	t1	Temp.	T2	t2	T4	t3	t4
100°C	150°C	30 to 60s	30 to 120s	30 to 60s	200°C	30s	230°C	5s	

PACKAGING:

Packing: (90pcs/tray) **MOQ:** 540pcs
Weight: 4.02 grams/pcs

Outer carton unit(optional):2340pcs/ 26trays/box,
Gross Weight: 11.0kg

Packaging material: PET



Dimensions: mm

ATTENTION: Abracon Corporation's products are COTS – Commercial-Off-The-Shelf products; suitable for Commercial, Industrial and, where designated, Automotive Applications. Abracon's products are not specifically designed for Military, Aviation, Aerospace, Life-dependant Medical applications or any application requiring high reliability where component failure could result in loss of life and/or property. For applications requiring high reliability and/or presenting an extreme operating environment, written consent and authorization from Abracon Corporation is required. Please contact Abracon Corporation for more information.

ABRACON IS
ISO 9001:2008
CERTIFIED



2 Faraday, Suite# B | Irvine | CA 92618 **Revised: 11.17.15**
 Ph. 949.546.8000 | Fax. 949.546.8001
 Visit www.abracon.com for Terms and Conditions of Sale

X-ON Electronics

Largest Supplier of Electrical and Electronic Components

Click to view similar products for [Modular Connectors](#) / [Ethernet Connectors](#) category:

Click to view products by [ABRACON](#) manufacturer:

Other Similar products are found below :

[8949-H88/06BLKA/SN](#) [74441-0010/BKN](#) [MP1010RX-1000](#) [MP44RX-1000](#) [PHP-6P6C-5](#) [GAX-3-66](#) [GAX-8-62](#) [GDCX-PA-66-50](#) [GDCX-PN-64](#) [GDCX-PN-66](#) [GDCX-PN-66-50](#) [GDLX-A-66](#) [GDLX-N-66](#) [GDLX-S-66](#) [GDLX-S-88K](#) [GDTX-S-88-50](#) [GDX-PA-1010](#) [GLX-N-1010M-BLK](#) [GLX-S-88M-BLK](#) [GMX-N-1010](#) [GMX-S-1010](#) [GMX-S-66](#) [GMX-SMT4-N-88](#) [GPX-2-64](#) [GSGX-N-2-88](#) [GSGX-N-4-88](#) [GSX-NS2-88-3.05](#) [GSX-NS2-88-3.05-50](#) [GSX-NS-88-3.05-50](#) [PT-108A-8C-UL](#) [PT-J951-8C](#) [PTS-J531-8CS-50UL](#) [1-1775629-2](#) [A-2014-0-4](#) [GWLX-S-88-GR](#) [GWLX-S9-88-YG](#) [DC-1021-8-WH-6](#) [1300530003](#) [1324640-4](#) [RJ11FTVC2G](#) [RJ11FTVC2N](#) [RJFTVX2SA1G](#) [132764-001](#) [1413235](#) [MP88X-1000](#) [MPS88RX-5000](#) [E5288-S000K3-L](#) [E5908-15A242-L](#) [155302-001](#) [AX100653](#)