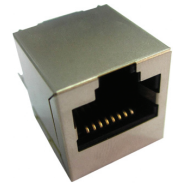


RJ45 10/100 Base-T Jack with Magnetic Module

ARJ11G

RoHS
Compliant



16.26 x 13.84 x 21.59mm

FEATURES:

- Available with or without LED
- Suitable CAT 5 & 6 cable and UTP
- Comply IEEE 802.3ab
- LAN Magnetic with RJ4
- Suitable for RoHS compliant reflow

APPLICATIONS:

- 10/100 Base-T LAN
- NIC, LoM and PC

STANDARD SPECIFICATIONS at 25°C

Operating temperature range: -40°C to +85°C

Storage temperature range: -40°C to +85°C

Part Number	Turns Ratio ± 5%		EMI Fingers	LEDs L/R	Insertion Loss (dB max) 0.3- 100 MHz	Return Loss (dB MIN @100Ω±15Ω)			
	TX	RX				1- 30 MHz	40 MHz	50 MHz	60 – 80 MHz
ARJ11G-MASA-A-B-ELT2	1CT:1	1CT:1	No	G/Y	-1	-20	-15	-15	-10
ARJ11G-MASA-A-B-FLT2	1CT:1	1CT:1	No	G/Y	-1	-20	-15	-15	-10
ARJ11G-MBSB-MU2	1CT:1CT	1CT:1CT	No	N/A	-1	-18	-16	-14	-12
ARJ11G-MBSC-MU2	1CT:1CT	1CT:1CT	No	N/A	-1	-18	-16	-14	-12
ARJ11G-MBSD-LU2	1CT:1	1CT:1CT	No	N/A	-1	-18	-16	-14	-12
ARJ11G-MBSE-MU2	1CT:1CT	1CT:1CT	No	N/A	-1	-18	-16	-12	-10

Part Number	Crosstalk (dB TYP)			Common Mode Rejection (dB MIN)			DCR (MAX Ω)		Hipot (Vrms)
	30 MHz	60 MHz	100 MHz	30 MHz	60 MHz	100 MHz	PRI	SEC	
ARJ11G-MASA-A-B-ELT2	-30	-30	-30	-30	-30	-30	1.0	1.2	1000
ARJ11G-MASA-A-B-FLT2	-30	-30	-30	-30	-30	-30	1.0	1.2	1000
ARJ11G-MBSB-MU2	-45	-40	-35	-35	-30	-25	-	-	1500
ARJ11G-MBSC-MU2	-45	-40	-35	-35	-30	-25	-	-	1500
ARJ11G-MBSD-LU2	-45	-40	-35	-35	-30	-25	-	-	1500
ARJ11G-MBSE-MU2	-40	-35	-30	-30	-20	-20	-	-	1500

Contact Abracon for more custom configurations. See options to build a custom configuration.

OPTIONS AND PART IDENTIFICATION

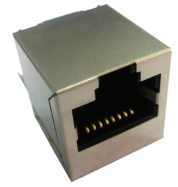
ARJ11G - [] [] - [] - [] - [] [] [] []

Mechanical	Schematic	Left LED color (e.g. B for Yellow, AB for Green-Yellow)	Right LED color (e.g. B for Yellow, AB for Green-Yellow)	LED polarity	Turns Ratio (Tx)	Turns Ratio (Rx)	Gold plating
MA, MB <small>(Please see mechanical section)</small>	SA ~ SE <small>(Please see schematic section)</small>	Blank: No LED A: Green B: Yellow C: Amber D: Orange	Blank: No LED A: Green B: Yellow C: Amber D: Orange	Blank: No LED E, F <small>(Please see 7.0 LED polarity section)</small>	K: 1CT:1.41 L: 1CT:1 M: 1CT:1CT N: 1.414:1CT O: 1CT:1.41CT P: 1:2CT Q: 1:1.414CT R: 1CT:2.5	S: 1CT:1.41 T: 1CT:1 U: 1CT:1CT V: 1.414:1CT W: 1CT:1.41CT X: 1:2CT Y: 1:1.414CT Z: 1CT:2.5	1: 3u “ 2: 6u “ 3: 15u “ 4: 30u “ 5: 50u “

RJ45 10/100 Base-T Jack with Magnetic Module

ARJ11G

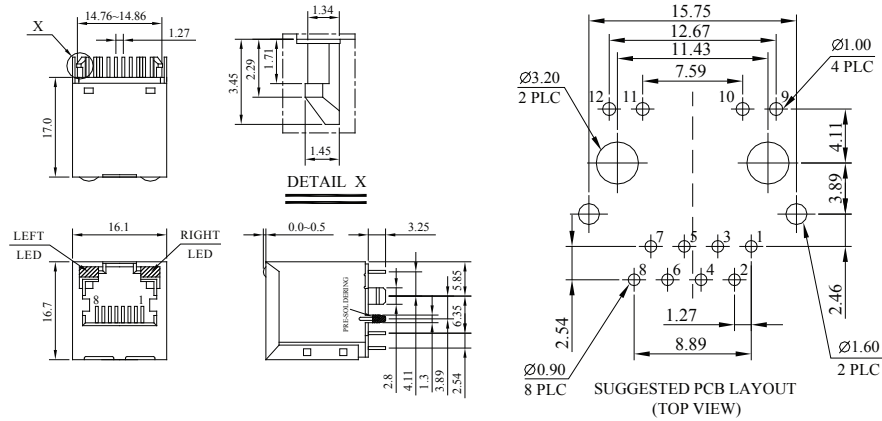
RoHS
Compliant



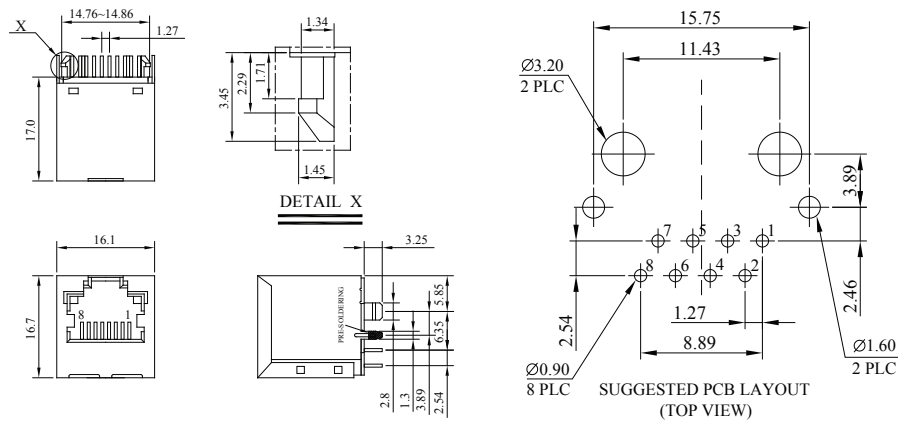
16.26 x 13.84 x 21.59mm

MECHANICAL DIMENSIONS

MA

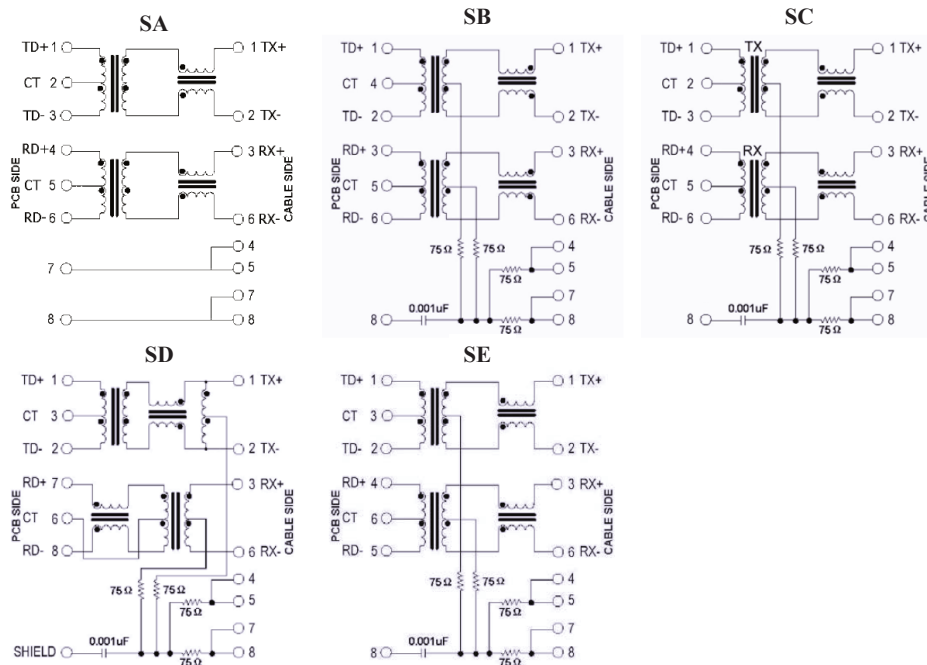


MB



Dimension: mm. All tolerances are ± 0.25 unless otherwise specified

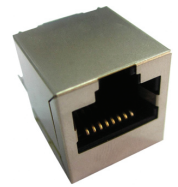
SCHEMATICS



RJ45 10/100 Base-T Jack with Magnetic Module

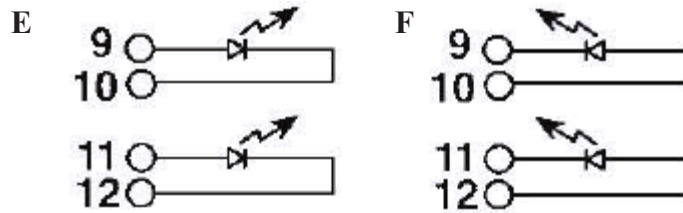
ARJ11G

RoHS
Compliant



16.26 x 13.84 x 21.59mm

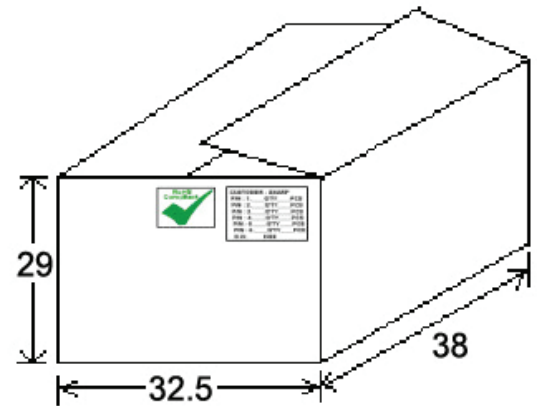
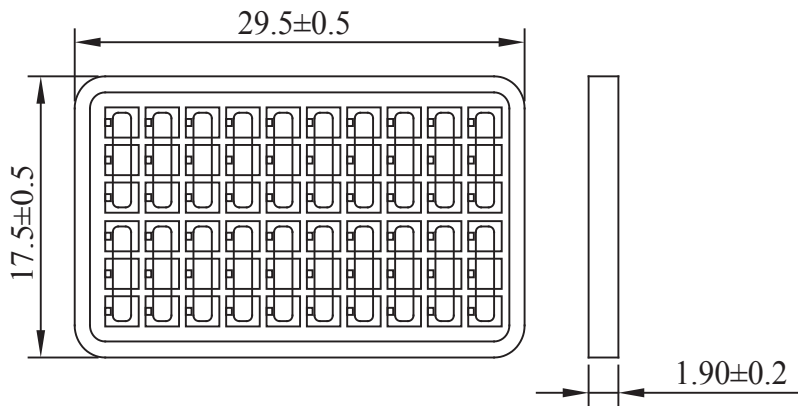
LED POLARITY



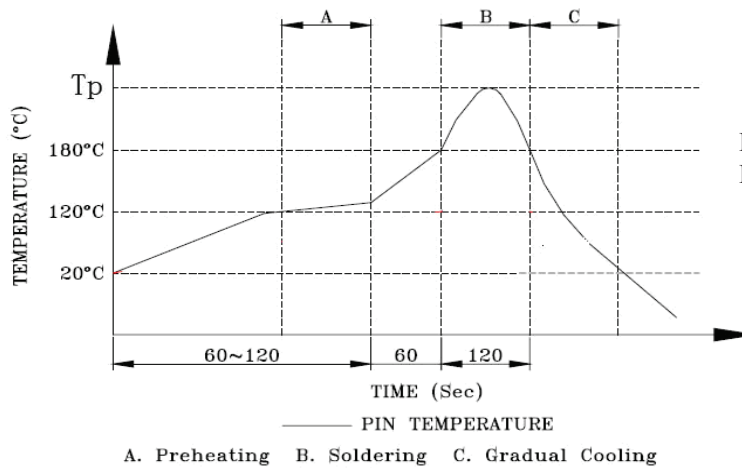
PACKING: 60pcs/tray

Packaging material: PET

Outer carton unit 1320 pcs/ 22 Trays/box



REFLOW PROFILE:



ATTENTION: Abracon LLC's products are COTS – Commercial-Off-The-Shelf products; suitable for Commercial, Industrial and, where designated, Automotive Applications. Abracon's products are not specifically designed for Military, Aviation, Aerospace, Life-dependent Medical applications or any application requiring high reliability where component failure could result in loss of life and/or property. For applications requiring high reliability and/or presenting an extreme operating environment, written consent and authorization from Abracon LLC is required. Please contact Abracon LLC for more information.

X-ON Electronics

Largest Supplier of Electrical and Electronic Components

Click to view similar products for [Modular Connectors / Ethernet Connectors](#) category:

Click to view products by [ABRACON](#) manufacturer:

Other Similar products are found below :

[8949-H88/06BLKA/SN](#) [74441-0010/BKN](#) [MP1010RX-1000](#) [MP44RX-1000](#) [PHP-6P6C-5](#) [GAX-3-66](#) [GAX-8-62](#) [GDCX-PA-66-50](#) [GDCX-PN-64](#) [GDCX-PN-66](#) [GDCX-PN-66-50](#) [GDLX-A-66](#) [GDLX-N-66](#) [GDLX-S-66](#) [GDLX-S-88K](#) [GDTX-S-88-50](#) [GDX-PA-1010](#) [GLX-N-1010M-BLK](#) [GLX-S-88M-BLK](#) [GMX-N-1010](#) [GMX-S-1010](#) [GMX-S-66](#) [GMX-SMT4-N-88](#) [GPX-2-64](#) [GSGX-N-2-88](#) [GSGX-N-4-88](#) [GSX-NS2-88-3.05](#) [GSX-NS2-88-3.05-50](#) [GSX-NS-88-3.05-50](#) [PT-108A-8C-UL](#) [PT-J951-8C](#) [PTS-J531-8CS-50UL](#) [1-1775629-2](#) [A-2014-0-4](#) [GWLX-S-88-GR](#) [GWLX-S9-88-YG](#) [DC-1021-8-WH-6](#) [1300530003](#) [1324640-4](#) [RJ11FTVC2G](#) [RJ11FTVC2N](#) [RJFTVX2SA1G](#) [132764-001](#) [1413235](#) [MP88X-1000](#) [MPS88RX-5000](#) [E5288-S000K3-L](#) [E5908-15A242-L](#) [155302-001](#) [AX100653](#)