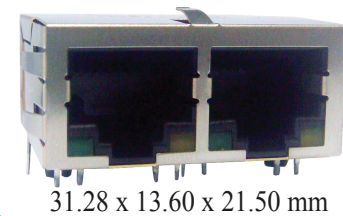


RJ45 10/100/1000 Base-TX Tab down 1x2 Jack with Magnetic Module



ARJ12A

RoHS
Compliant

FEATURES:

- Tab down
- Available with or without LED
- Suitable CAT 5 & 6 cable and UTP
- Comply IEEE 802.3ab
- LAN Magnetic with RJ4
- Suitable for RoHS compliant reflow

APPLICATIONS:

- 10, 100 and 1000 Base-T LAN
- NIC, LoM and PC

STANDARD SPECIFICATIONS at 25°C

Operating temperature range: 0°C to +70°C Storage temperature range: -40°C to +85°C

Part Number	Turns Ratio $\pm 5\%$		Tab	EMI Fingers	LEDs	Insertion Loss (dB typ)	Return Loss (dB typ @100 Ω $\pm 15\%$)		
	TX	RX					0.3- 100 MHz	1- 10 MHz	30 MHz
ARJ12A-MASD-A-B-EMU2	1CT:1CT	1CT:1CT	DOWN	Yes	G/Y	-1.2	-18	-16	-12
ARJ12A-MASD-A-B-FMU2	1CT:1CT	1CT:1CT	DOWN	Yes	G/Y	-1.2	-18	-16	-12
ARJ12A-MCSD-MU2	1CT:1CT	1CT:1CT	DOWN	Yes	-	-1.2	-18	-16	-12

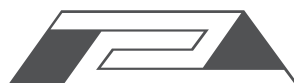
Part Number	Crosstalk (dB TYP)			Common Mode Rejection (dB TYP)		Hipot (Vrms)
	1 - 10 MHz	30 - 60 MHz	60 - 100 MHz	1 - 50 MHz	50 - 130 MHz	
ARJ12A-MASD-A-B-EMU2	-40	-35	-30	-30	-20	1500
ARJ12A-MASD-A-B-FMU2	-40	-35	-30	-30	-20	1500
ARJ12A-MCSD-MU2	-40	-35	-30	-30	-20	1500

Contact Abracon for more custom configurations. See options to build a custom configuration.

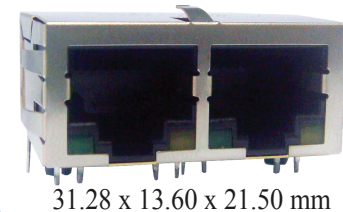
OPTIONS AND PART IDENTIFICATION

ARJ12A - - - -

Mechanical	Schematic	Left LED color (e.g. B for Yellow, AB for Green-Yellow)	Right LED color (e.g. B for Yellow, AB for Green-Yellow)	LED polarity	Turns Ratio (Tx)	Turns Ratio (Rx)	Gold plating
MA ~ MD (Please see mechanical section)	SA ~ SZ (Please see schematic section)	Blank: No LED A: Green B: Yellow C: Amber D: Orange	Blank: No LED A: Green B: Yellow C: Amber D: Orange	Blank: No LED E ~ H (Please see 7.0 LED polarity section)	K: 1CT:1.41 L: 1CT:1 M: 1CT:1CT N: 1.414:1CT O: 1CT:1.41CT P: 1:2CT Q: 1:1.414CT R: 1CT:2.5	S: 1CT:1.41 T: 1CT:1 U: 1CT:1CT V: 1.414:1CT W: 1CT:1.41CT X: 1:2CT Y: 1:1.414CT Z: 1CT:2.5	1: 3u “ 2: 6u “ 3: 15u “ 4: 30u “ 5: 50u “



RJ45 10/100/1000 Base-TX Tab down 1x2 Jack with Magnetic Module



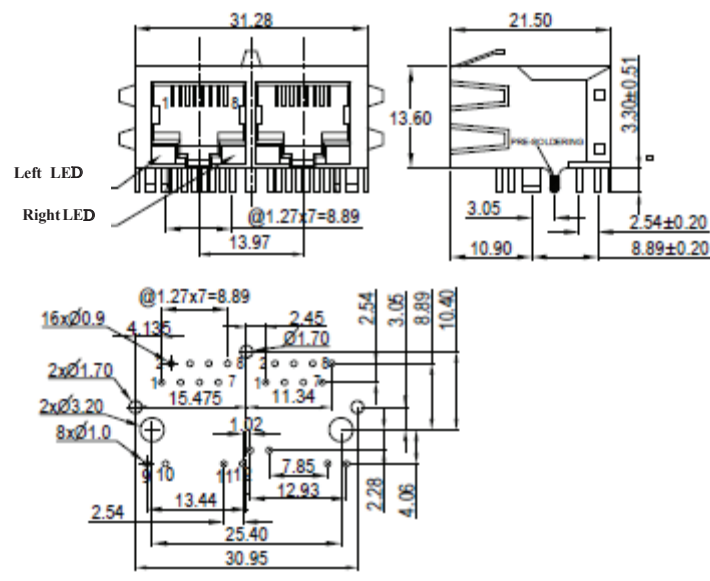
31.28 x 13.60 x 21.50 mm

ARJ12A

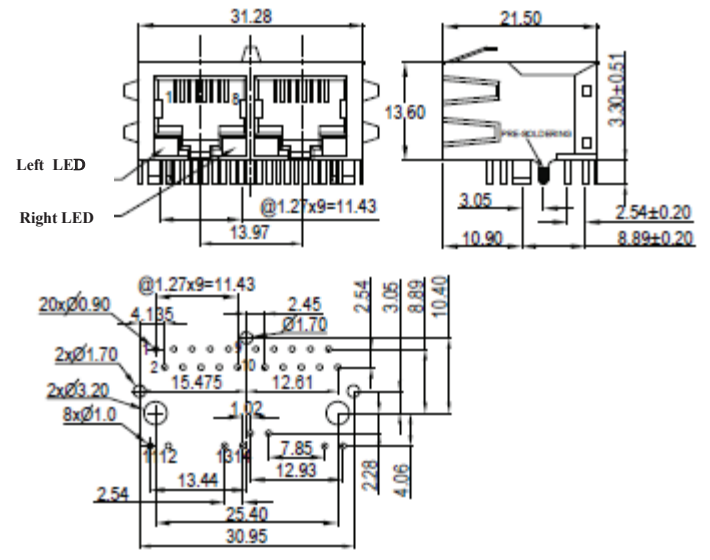
RoHS
Compliant

MECHANICAL DIMENSIONS

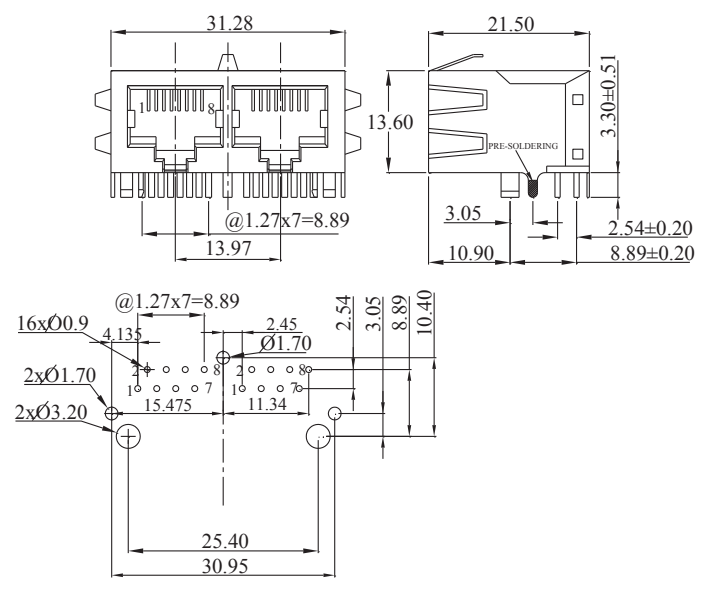
MA (10/100 Base-T)



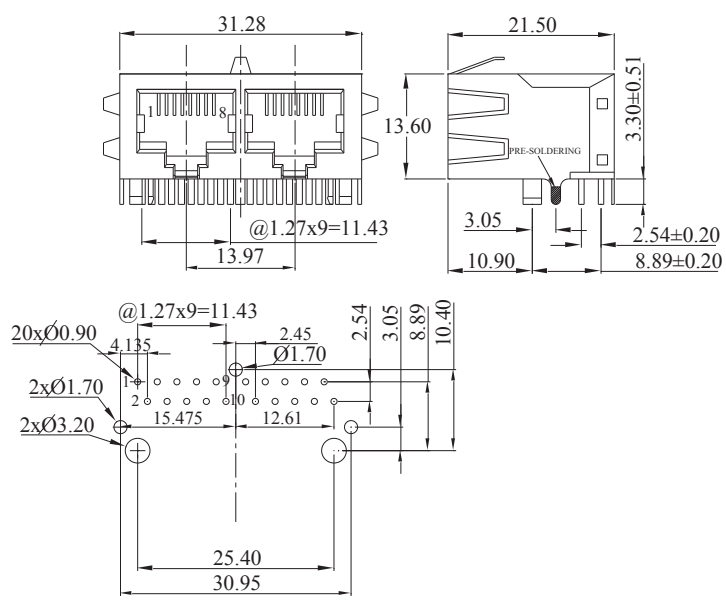
MB (1000 Base-T)



MC (10/100 Base-T)

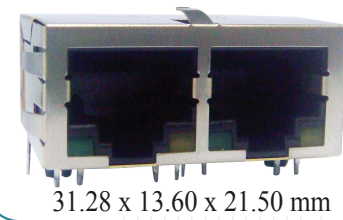


MD (1000 Base-T)



Dimension: mm. All tolerances are ±0.25 unless otherwise specified

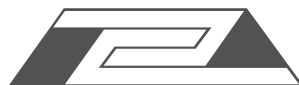
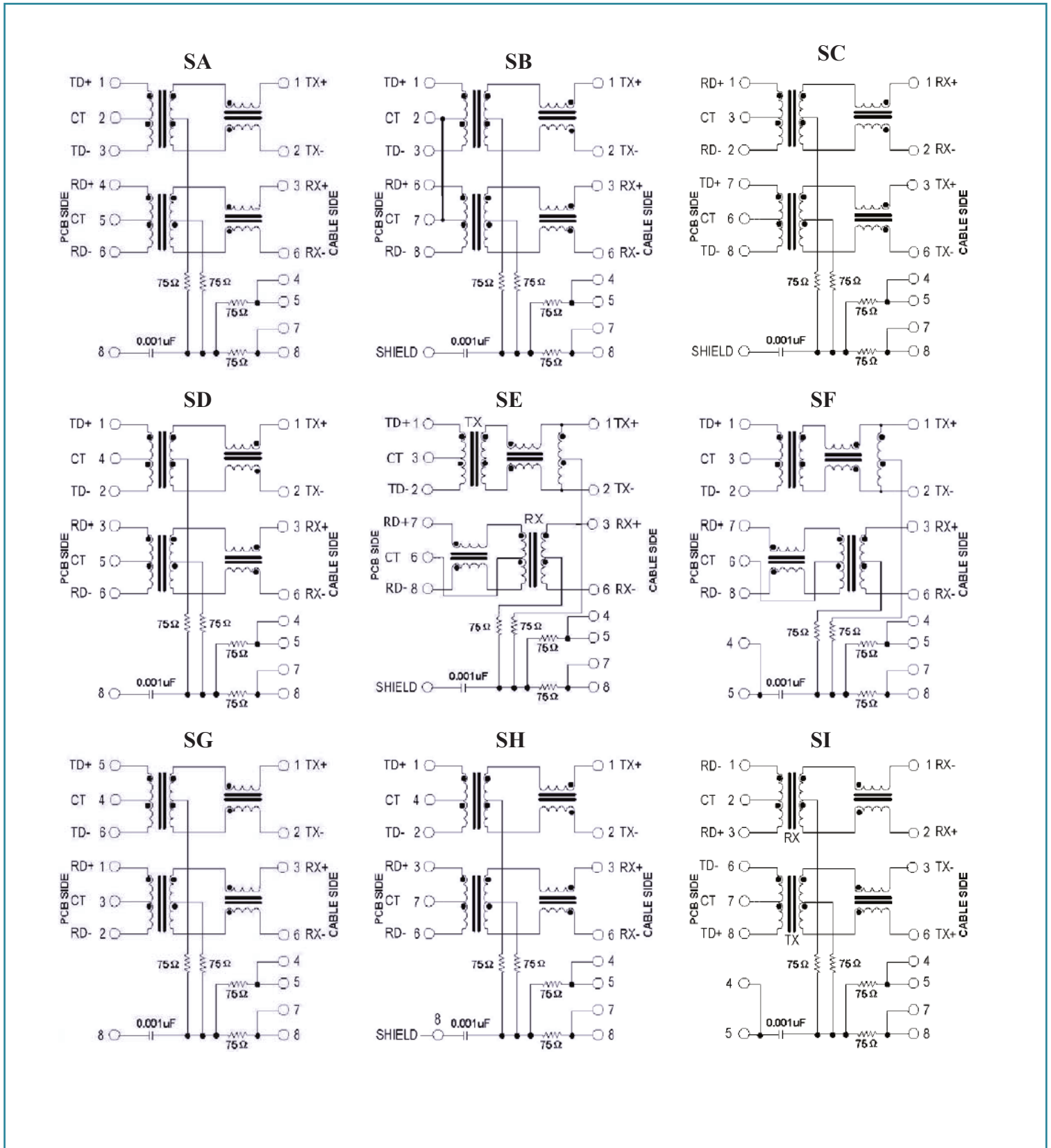




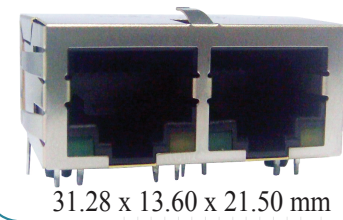
ARJ12A

RoHS
Compliant

SCHEMATICS



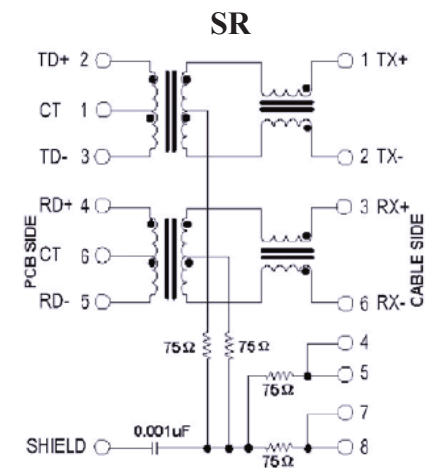
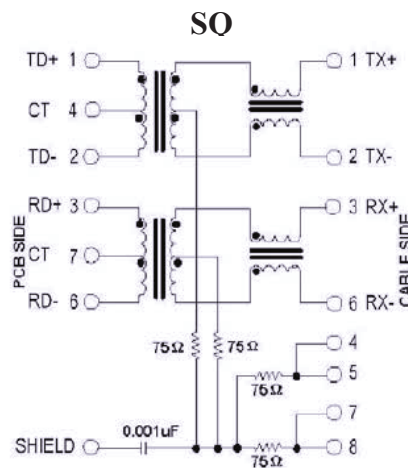
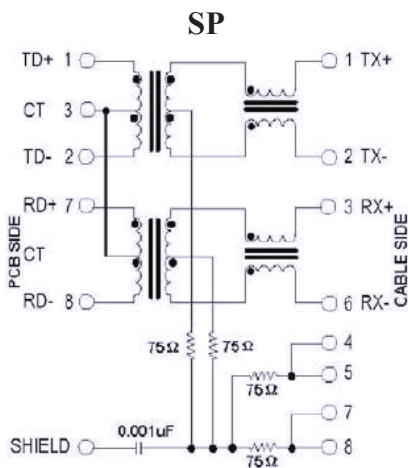
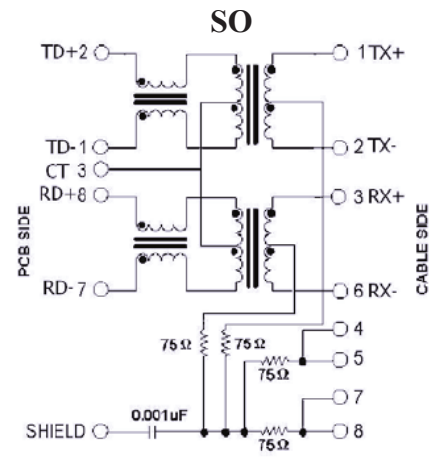
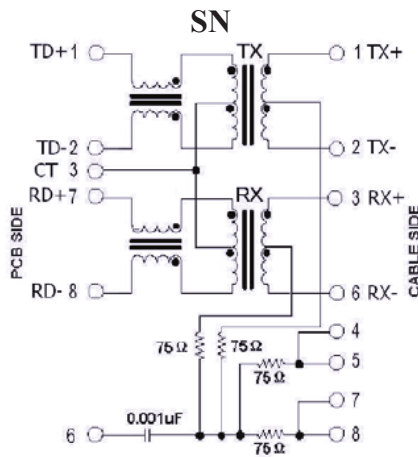
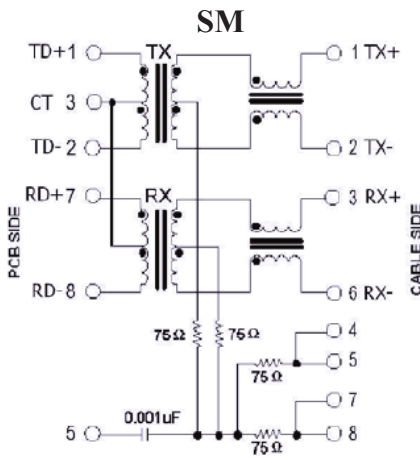
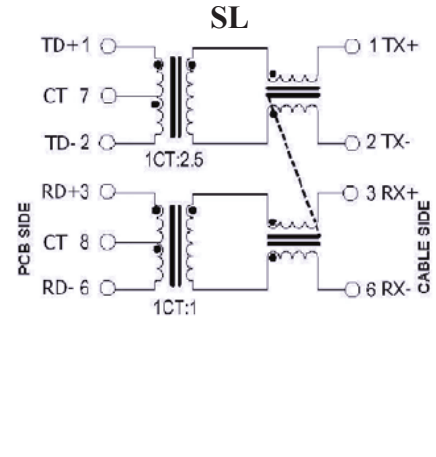
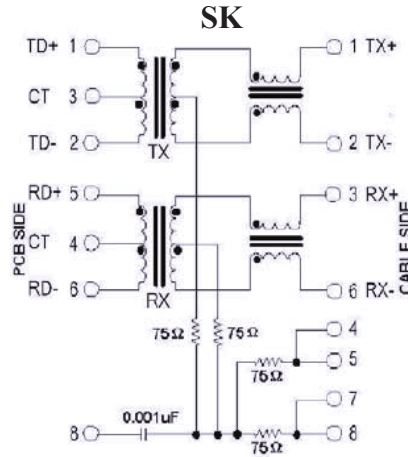
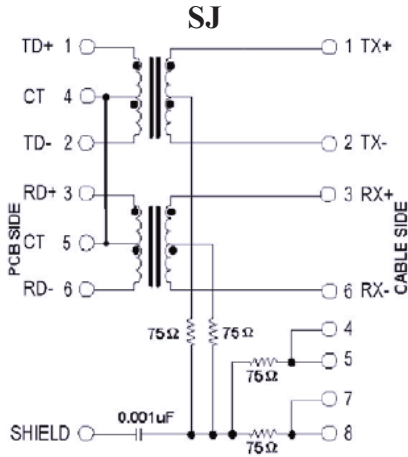
RJ45 10/100/1000 Base-TX Tab down 1x2 Jack with Magnetic Module

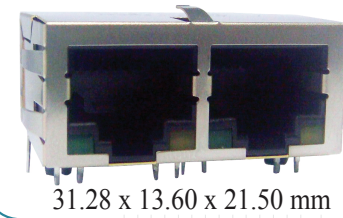


ARJ12A

RoHS
Compliant

SCHEMATICS - continued



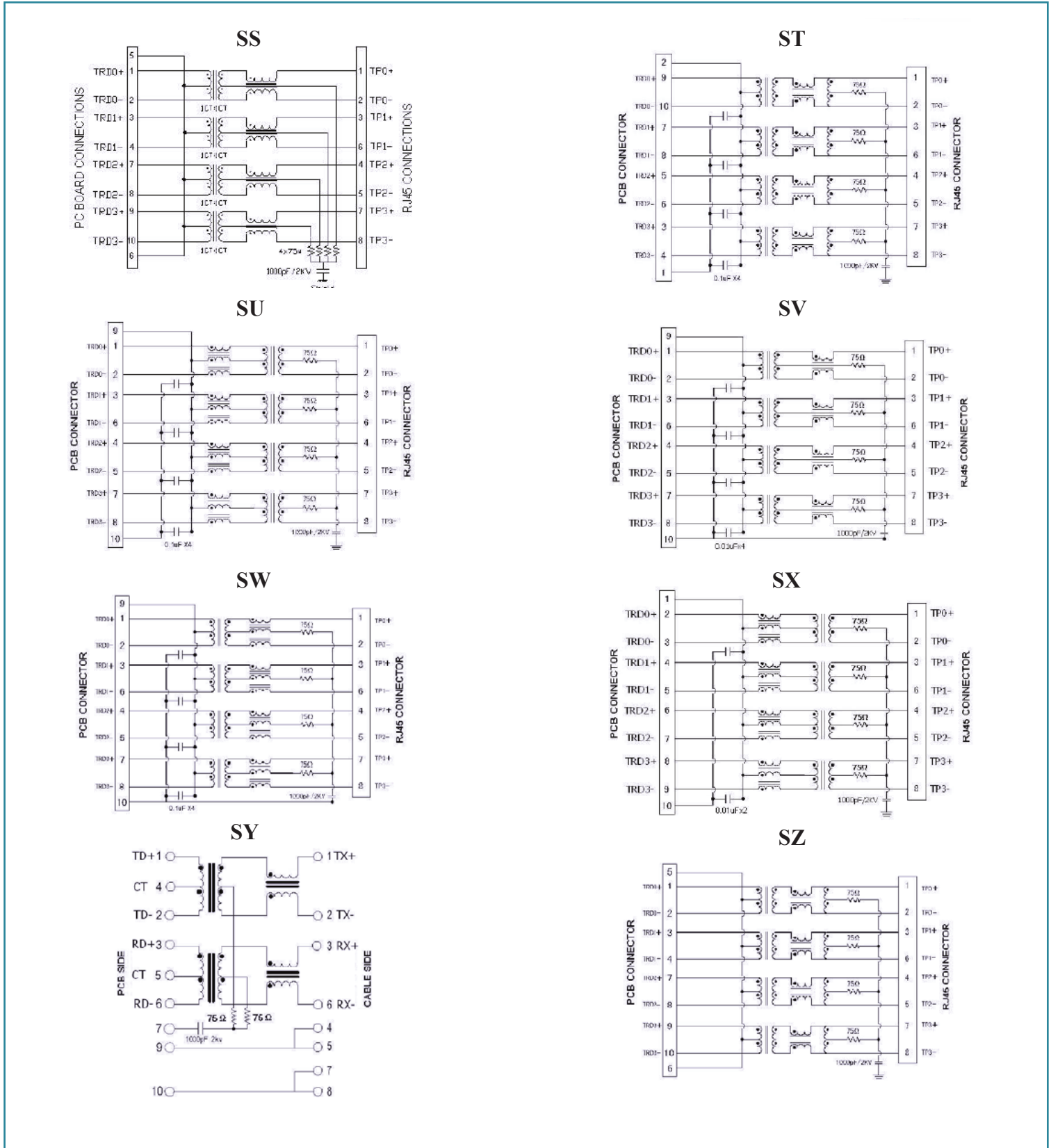


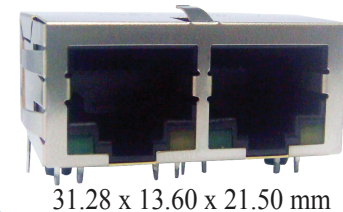
31.28 x 13.60 x 21.50 mm

ARJ12A

RoHS
Compliant

SCHEMATICS



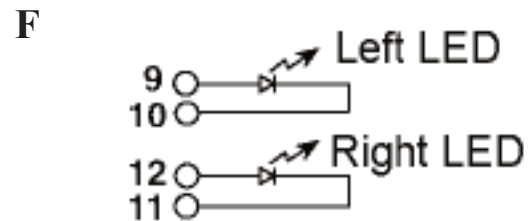
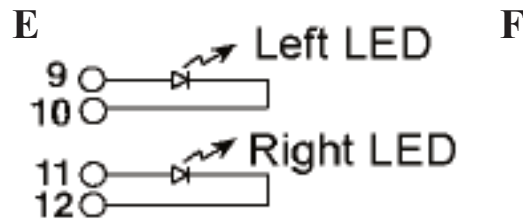


ARJ12A

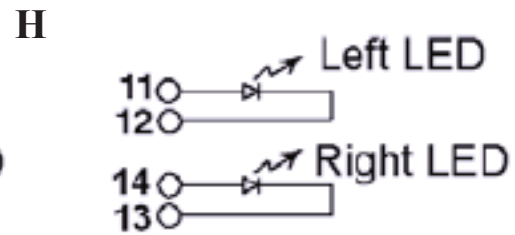
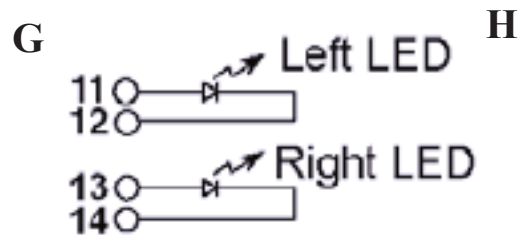
RoHS
Compliant

LED POLARITY

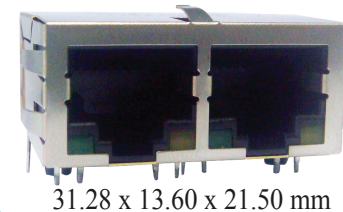
8PIN:



10PIN:



RJ45 10/100/1000 Base-TX Tab down 1x2 Jack with Magnetic Module



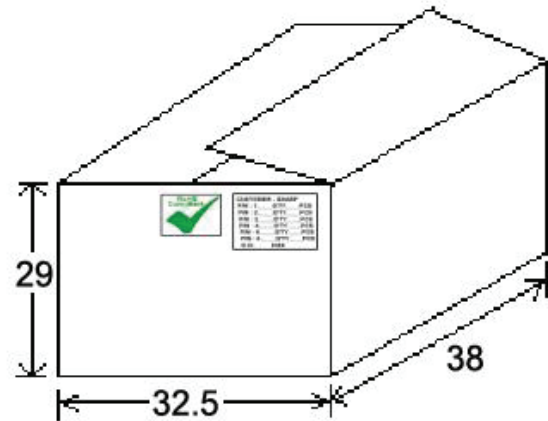
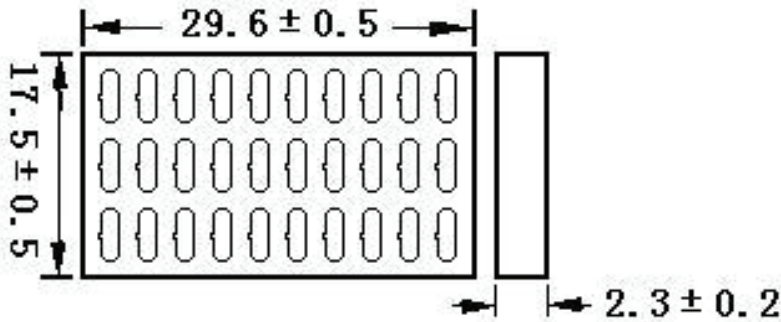
ARJ12A

RoHS
Compliant

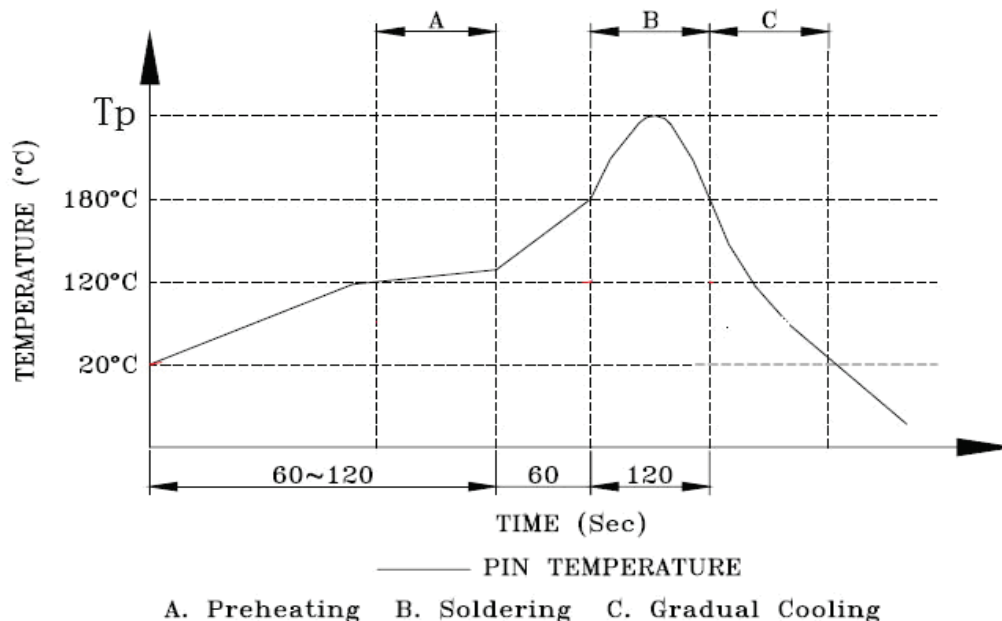
PACKING: 30pcs/tray

Packaging material: PET

Outer carton unit : 600 pcs/ 20 Trays/box



REFLOW PROFILE:



Peak temperature(Tp) : 250± 10°C
Peak temperature(Tp) time : 5sec max

ATTENTION: Abracon Corporation's products are COTS – Commercial-Off-The-Shelf products; suitable for Commercial, Industrial and, where designated, Automotive Applications. Abracon's products are not specifically designed for Military, Aviation, Aerospace, Life-dependant Medical applications or any application requiring high reliability where component failure could result in loss of life and/or property. For applications requiring high reliability and/or presenting an extreme operating environment, written consent and authorization from Abracon Corporation is required. Please contact Abracon Corporation for more information.

ABRACON IS
ISO 9001:2008
CERTIFIED



ABRACON
CORPORATION

Visit www.abracon.com for Terms & Conditions of Sale
30332 Esperanza, Rancho Santa Margarita, California 92688
tel 949-546-8000 | fax 949-546-8001 | www.abracon.com

Revised: 06.09.14

X-ON Electronics

Largest Supplier of Electrical and Electronic Components

Click to view similar products for [Modular Connectors](#) / [Ethernet Connectors](#) category:

Click to view products by [ABRACON](#) manufacturer:

Other Similar products are found below :

[8949-H88/06BLKA/SN](#) [74441-0010/BKN](#) [MP1010RX-1000](#) [MP44RX-1000](#) [PHP-6P6C-5](#) [GAX-3-66](#) [GAX-8-62](#) [GDCX-PA-66-50](#) [GDCX-PN-64](#) [GDCX-PN-66](#) [GDCX-PN-66-50](#) [GDLX-A-66](#) [GDLX-N-66](#) [GDLX-S-66](#) [GDLX-S-88K](#) [GDTX-S-88-50](#) [GDX-PA-1010](#) [GLX-N-1010M-BLK](#) [GLX-S-88M-BLK](#) [GMX-N-1010](#) [GMX-S-1010](#) [GMX-S-66](#) [GMX-SMT4-N-88](#) [GPX-2-64](#) [GSGX-N-2-88](#) [GSGX-N-4-88](#) [GSX-NS2-88-3.05](#) [GSX-NS2-88-3.05-50](#) [GSX-NS-88-3.05-50](#) [PT-108A-8C-UL](#) [PT-J951-8C](#) [PTS-J531-8CS-50UL](#) [1-1775629-2](#) [A-2014-0-4](#) [GWLX-S-88-GR](#) [GWLX-S9-88-YG](#) [DC-1021-8-WH-6](#) [1300530003](#) [1324640-4](#) [RJ11FTVC2G](#) [RJ11FTVC2N](#) [RJFTVX2SA1G](#) [132764-001](#) [1413235](#) [MP88X-1000](#) [MPS88RX-5000](#) [E5288-S000K3-L](#) [E5908-15A242-L](#) [155302-001](#) [AX100653](#)