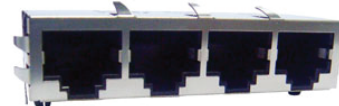


# RJ45 10/100/1000 Base-TX Tab down 1x4 Jack with Magnetic Module



59.12 x 13.60 x 21.50 mm /  
58.40 x 13.00 x 20.54mm

**RoHS**  
Compliant

**ARJ14A**

## FEATURES:

- Tab down
- Available with or without LED
- Suitable CAT 5 & 6 cable and UTP
- Comply IEEE 802.3ab
- LAN Magnetic with RJ45
- Suitable for RoHS compliant reflow

## APPLICATIONS:

- 10, 100 and 1000 Base-T LAN
- NIC, LoM and PC

## STANDARD SPECIFICATIONS at 25°C

Operating temperature range: 0°C to +70°C Storage temperature range: -40°C to +85°C

| Part Number          | Ratio ± 5% |         | Tab Option | EMI Fingers (see Mechanical) | LEDs L/R | Insertion Loss (dB typ) 0.3- 100 MHz | Return Loss (dB typ @100Ω±15%) |        |           |
|----------------------|------------|---------|------------|------------------------------|----------|--------------------------------------|--------------------------------|--------|-----------|
|                      | TX         | RX      |            |                              |          |                                      | 1- 10 MHz                      | 30 MHz | 60-80 MHz |
| ARJ14A-M□SA-MU2      | 1CT:1CT    | 1CT:1CT | DOWN       | Yes/No                       | -        | -1.2                                 | -18                            | -16    | -12       |
| ARJ14A-M□SB-MU2      | 1CT:1CT    | 1CT:1CT | DOWN       | Yes/No                       | -        | -1.2                                 | -18                            | -16    | -12       |
| ARJ14A-M□SC-MU2      | 1CT:1CT    | 1CT:1CT | DOWN       | Yes/No                       | -        | -1.2                                 | -18                            | -16    | -12       |
| ARJ14A-M□SD-A-B-ΔMU2 | 1CT:1CT    | 1CT:1CT | DOWN       | Yes                          | G/Y      | -1.2                                 | -18                            | -16    | -12       |
| ARJ14A-M□SD-MU2      | 1CT:1CT    | 1CT:1CT | DOWN       | Yes/No                       | -        | -1.2                                 | -18                            | -16    | -12       |

| Part Number          | Crosstalk (dB TYP) |             |              | Common Mode Rejection (dB TYP) |              | Hipot (Vrms) |
|----------------------|--------------------|-------------|--------------|--------------------------------|--------------|--------------|
|                      | 1 - 10 MHz         | 30 - 60 MHz | 60 - 100 MHz | 1 - 50 MHz                     | 50 - 130 MHz |              |
| ARJ14A-M□SA-MU2      | -40                | -35         | -30          | -30                            | -20          | 1500         |
| ARJ14A-M□SB-MU2      | -30                | -30         | -30          | -30                            | -20          | 1500         |
| ARJ14A-M□SC-MU2      | -40                | -35         | -30          | -30                            | -20          | 1500         |
| ARJ14A-M□SD-A-B-ΔMU2 | -40                | -35         | -30          | -30                            | -20          | 1500         |
| ARJ14A-M□SD-MU2      | -40                | -35         | -30          | -30                            | -20          | 1500         |

□: Mechanical option: E, F or I for non- LED; A or B for LED.

Δ: LED polarity option E or F

Contact Abracon for more custom configurations. See options to build a custom configuration.

## OPTIONS AND PART IDENTIFICATION

ARJ14A - □ □ - □ - □ - □ □ □ □

| Mechanical                              | Schematic                              | Left LED color (e.g. B for Yellow, AB for Green-Yellow)         | Right LED color (e.g. B for Yellow, AB for Green-Yellow)        | LED polarity   | Turns Ratio (Tx)   | Turns Ratio (Rx)   | Gold plating   |
|---|--|---|---|--|--|--|--|
| MA ~ MI (Please see mechanical section) | SA ~ SZ (Please see schematic section) | Blank: No LED<br>A: Green<br>B: Yellow<br>C: Amber<br>D: Orange | Blank: No LED<br>A: Green<br>B: Yellow<br>C: Amber<br>D: Orange | Blank: No LED<br>E ~ H (Please see 7.0 LED polarity section) | K: 1CT:1.41<br>L: 1CT:1<br>M: 1CT:1CT<br>N: 1.414:1CT<br>O: 1CT:1.41CT<br>P: 1:2CT<br>Q: 1:1.414CT<br>R: 1CT:2.5 | S: 1CT:1.41<br>T: 1CT:1<br>U: 1CT:1CT<br>V: 1.414:1CT<br>W: 1CT:1.41CT<br>X: 1:2CT<br>Y: 1:1.414CT<br>Z: 1CT:2.5 | 1: 3u “<br>2: 6u “<br>3: 15u “<br>4: 30u “<br>5: 50u “ |

ABRACON IS  
ISO 9001:2008  
CERTIFIED

**ABRACON**  
The Power of Linking Together

2 Faraday, Suite# B | Irvine | CA 92618 Revised: 01.26.16  
Ph. 949.546.8000 | Fax. 949.546.8001  
Visit [www.abracon.com](http://www.abracon.com) for Terms and Conditions of Sale

# RJ45 10/100/1000 Base-TX Tab down 1x4 Jack with Magnetic Module



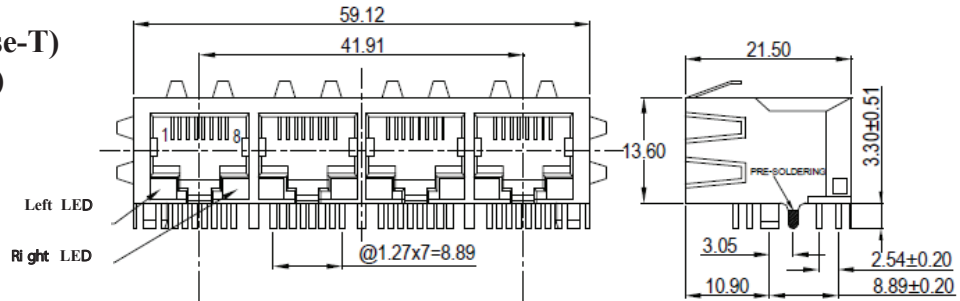
59.12 x 13.60 x 21.50 mm /  
58.40 x 13.00 x 20.54mm

ARJ14A

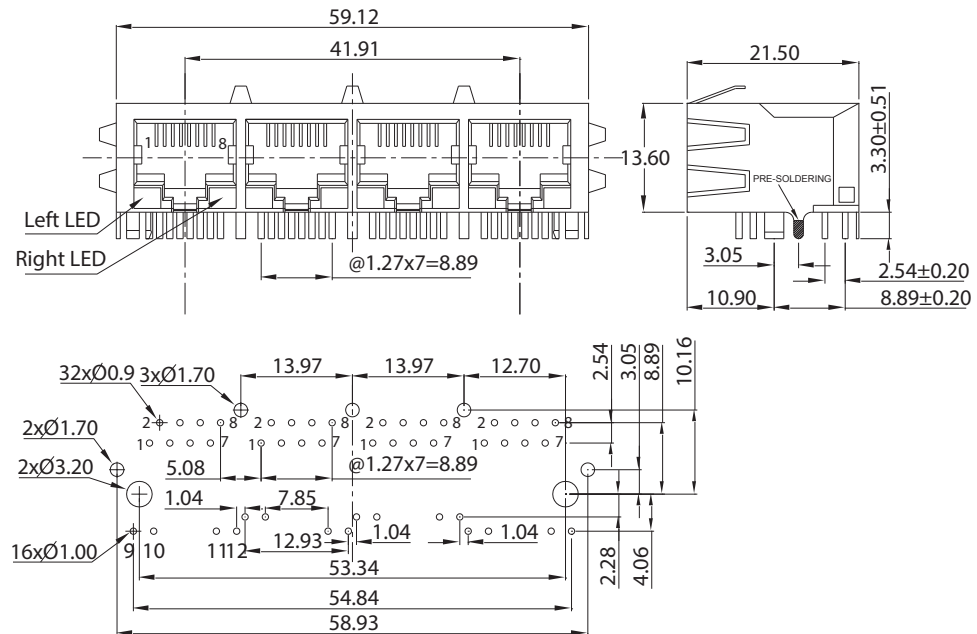
RoHS  
Compliant

## MECHANICAL DIMENSIONS

**MA (10/100 Base-T)  
(8 EMI Fingers)**



**MB (10/100 Base-T)  
(3 EMI Fingers)**



# RJ45 10/100/1000 Base-TX Tab down 1x4 Jack with Magnetic Module



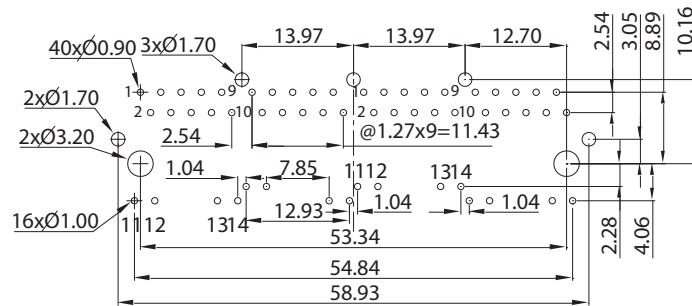
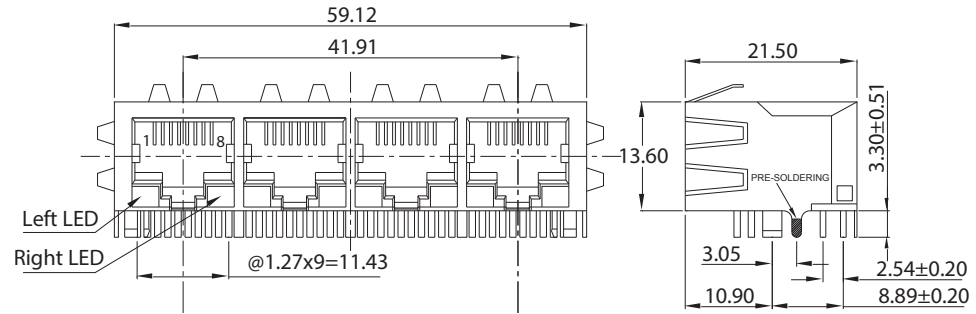
59.12 x 13.60 x 21.50 mm /  
58.40 x 13.00 x 20.54mm

ARJ14A

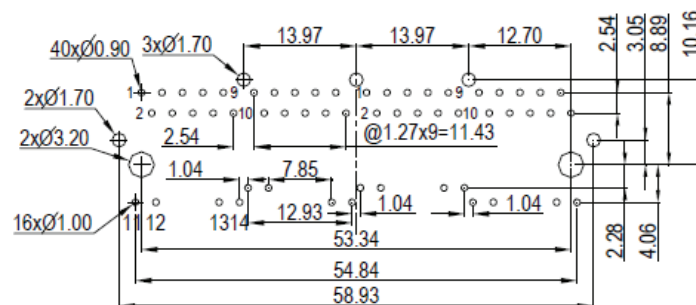
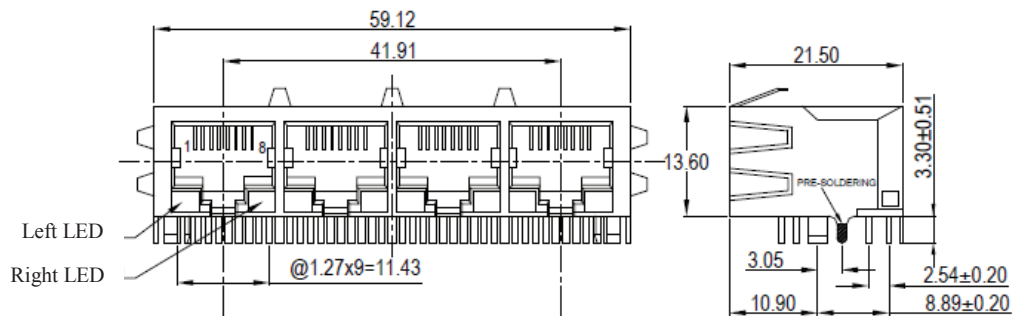
**RoHS**  
Compliant

## MECHANICAL DIMENSIONS

### MC (1000 Base-T) (8 EMI Fingers)



### MD (1000 Base-T) (3 EMI Fingers)



# RJ45 10/100/1000 Base-TX Tab down 1x4 Jack with Magnetic Module



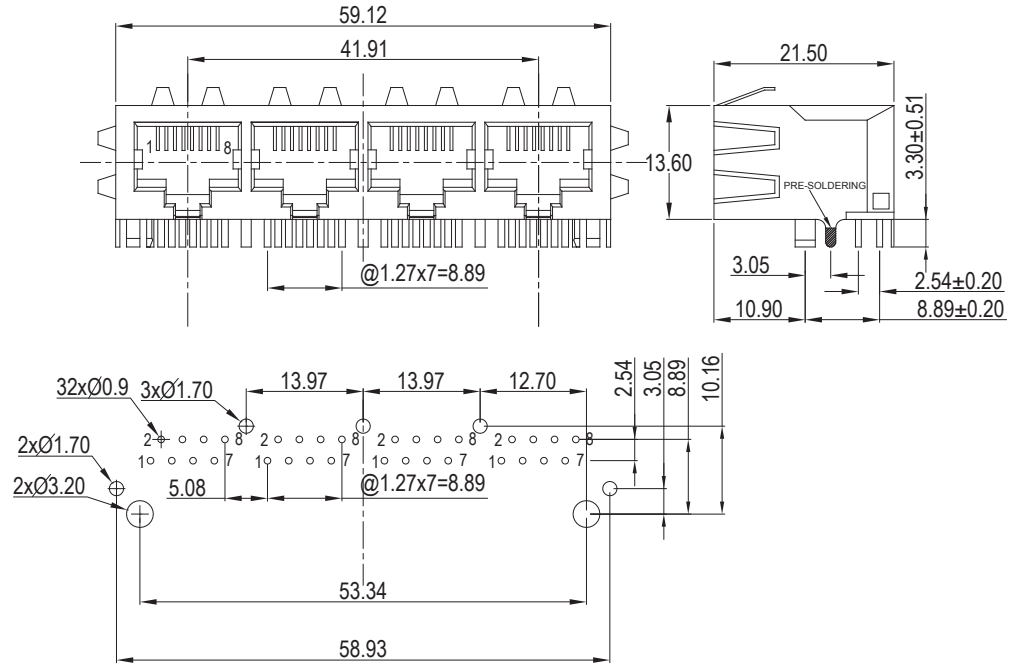
59.12 x 13.60 x 21.50 mm /  
58.40 x 13.00 x 20.54mm

ARJ14A

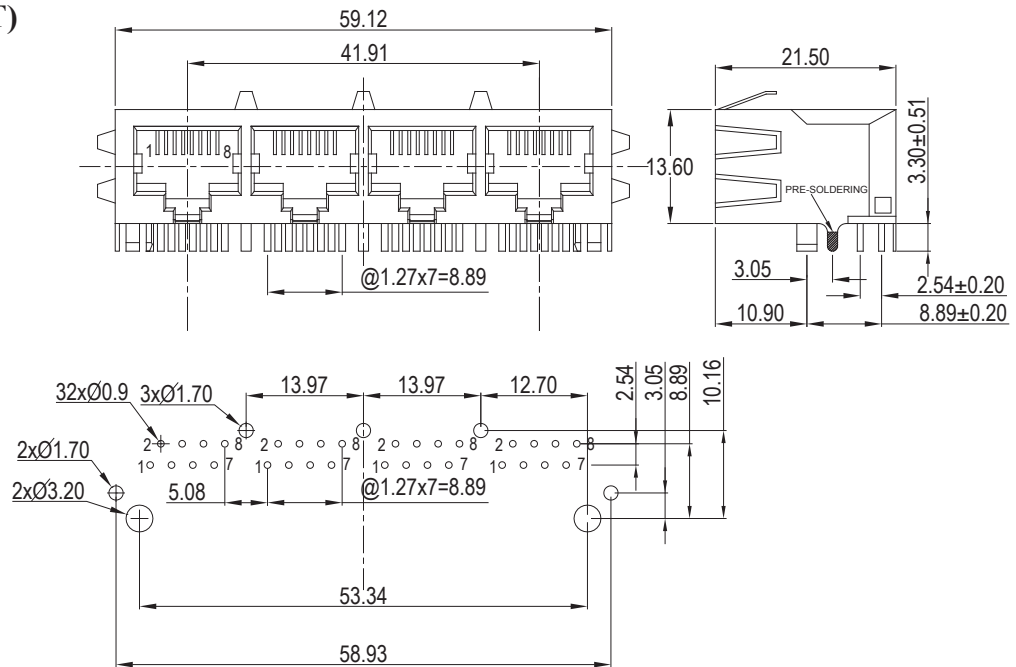
RoHS  
Compliant

## MECHANICAL DIMENSIONS

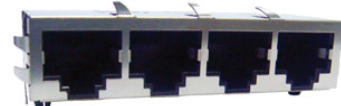
### ME (10/100 Base-T) (8 EMI Fingers)



### MF (10/100 Base-T) (3 EMI Fingers)



# RJ45 10/100/1000 Base-TX Tab down 1x4 Jack with Magnetic Module



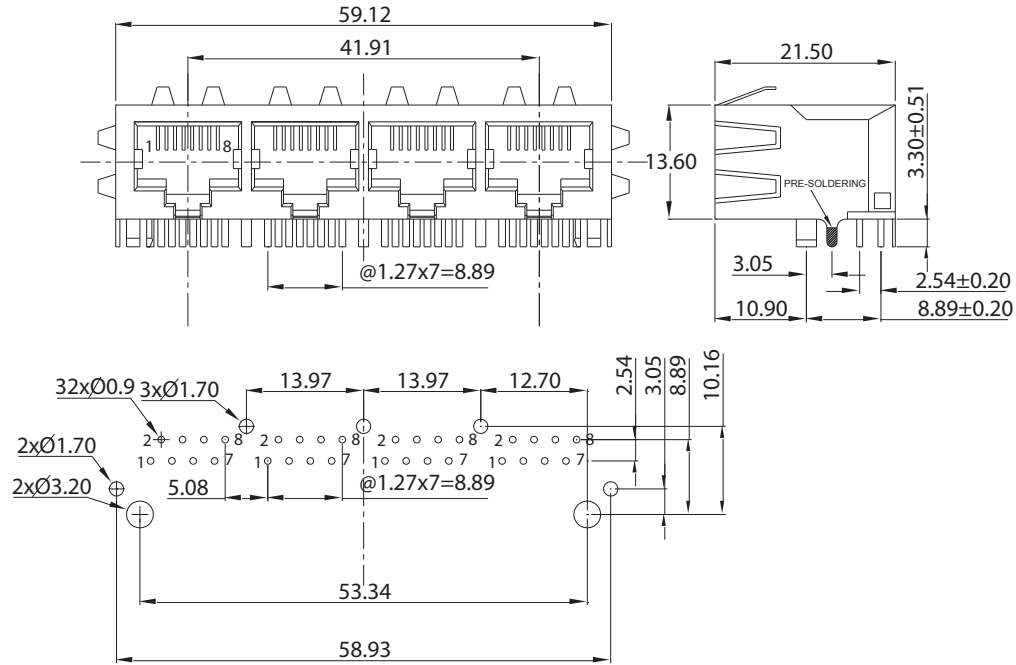
59.12 x 13.60 x 21.50 mm /  
58.40 x 13.00 x 20.54mm

ARJ14A

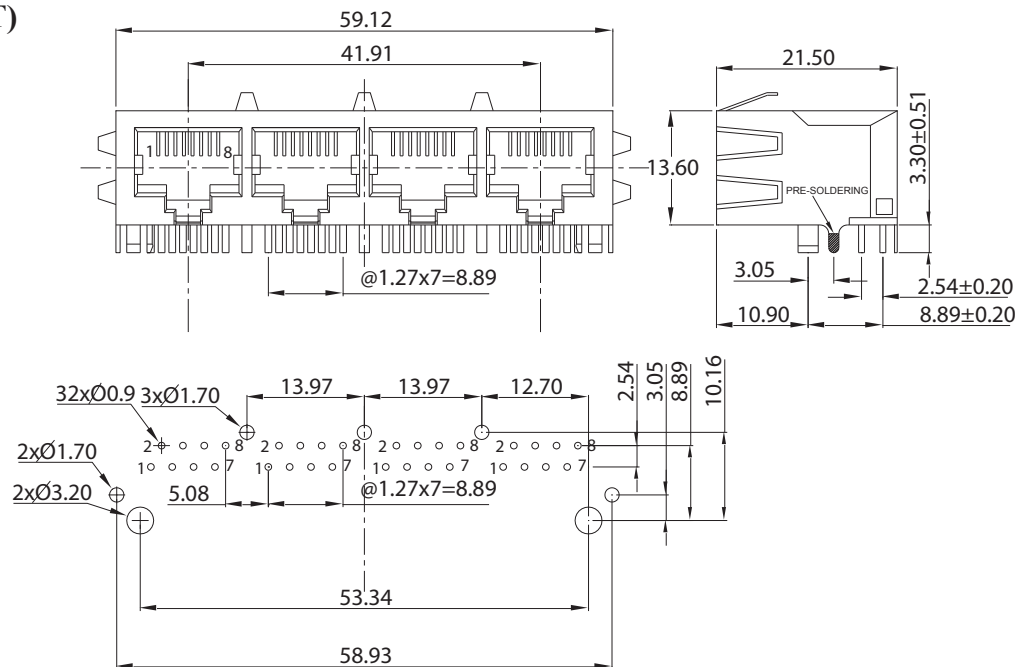
**RoHS**  
Compliant

## MECHANICAL DIMENSIONS

### ME (10/100 Base-T) (8 EMI Fingers)



### MF (10/100 Base-T) (3 EMI Fingers)



# RJ45 10/100/1000 Base-TX Tab down 1x4 Jack with Magnetic Module



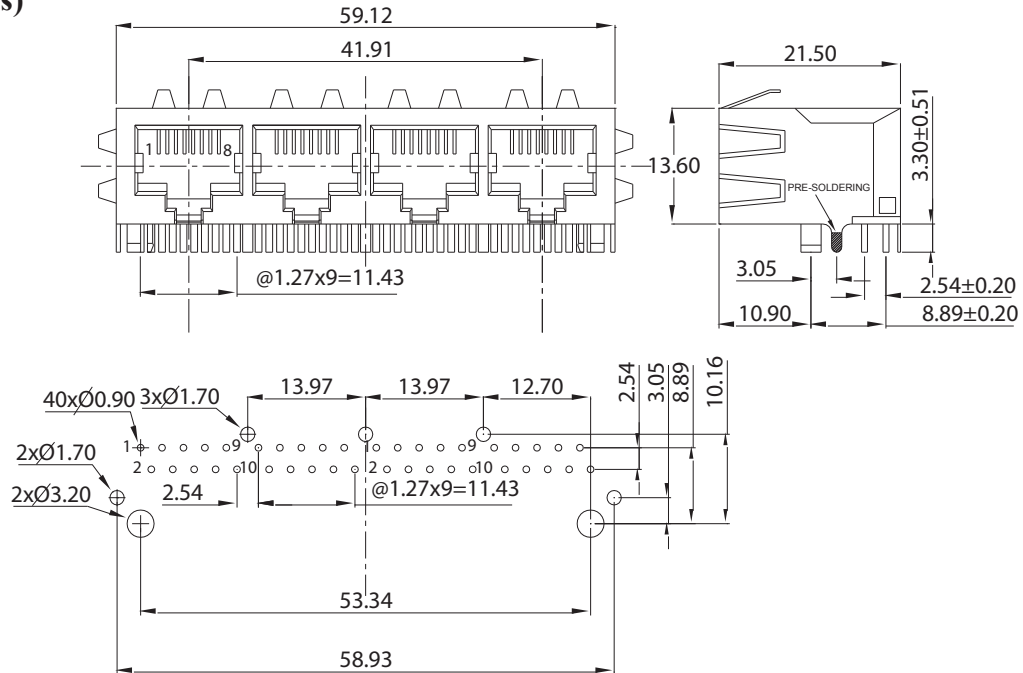
59.12 x 13.60 x 21.50 mm /  
58.40 x 13.00 x 20.54mm

ARJ14A

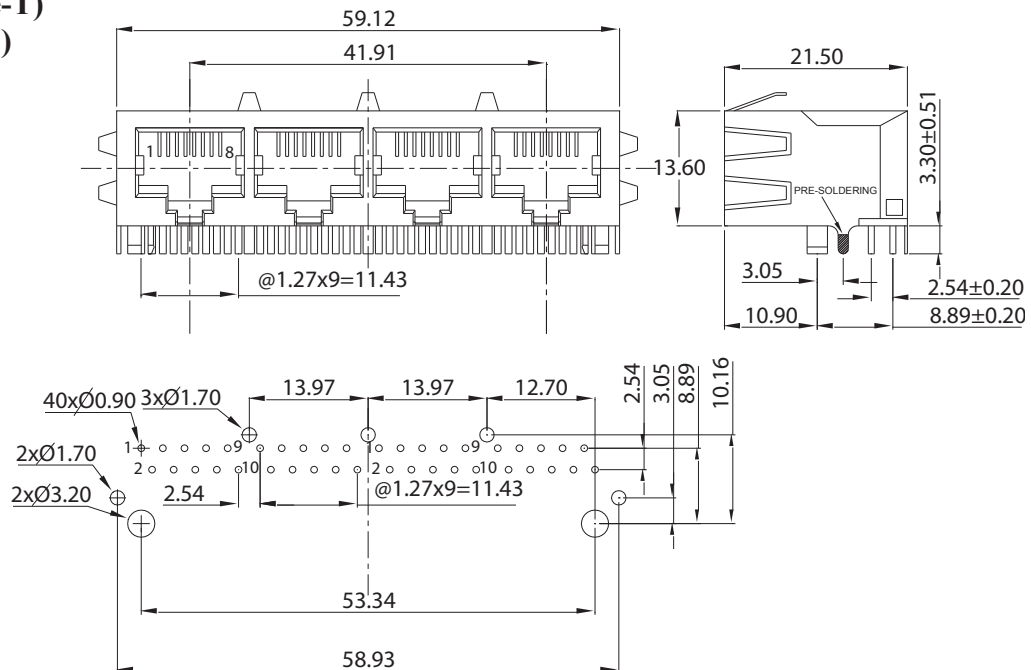
**RoHS**  
Compliant

## MECHANICAL DIMENSIONS

### MG (1000 Base-T) (8 EMI Fingers)



### MH (1000 Base-T) (3 EMI Fingers)



# RJ45 10/100/1000 Base-TX Tab down 1x4 Jack with Magnetic Module



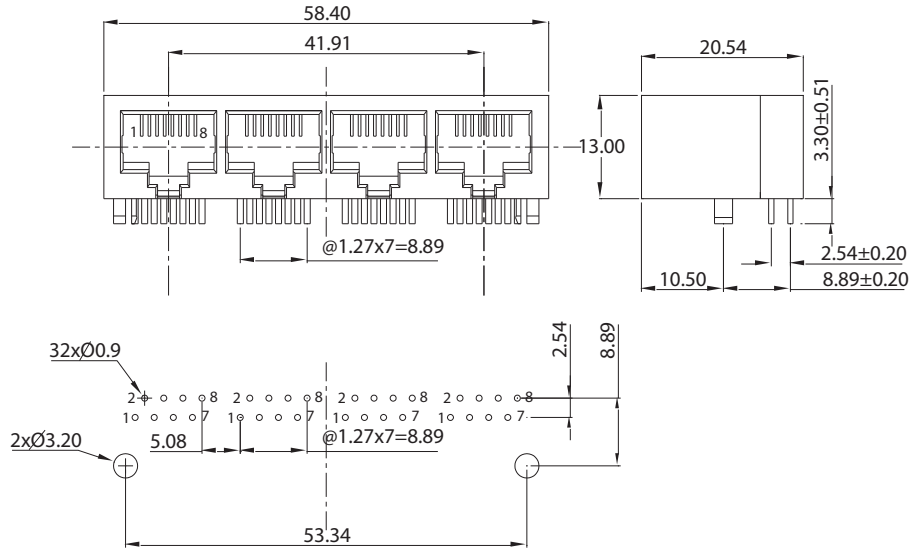
59.12 x 13.60 x 21.50 mm /  
58.40 x 13.00 x 20.54mm

**RoHS**  
Compliant

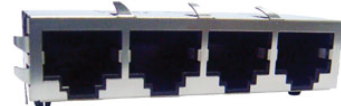
ARJ14A

## MECHANICAL DIMENSIONS

### MI (10/100 Base-T)



# RJ45 10/100/1000 Base-TX Tab down 1x4 Jack with Magnetic Module

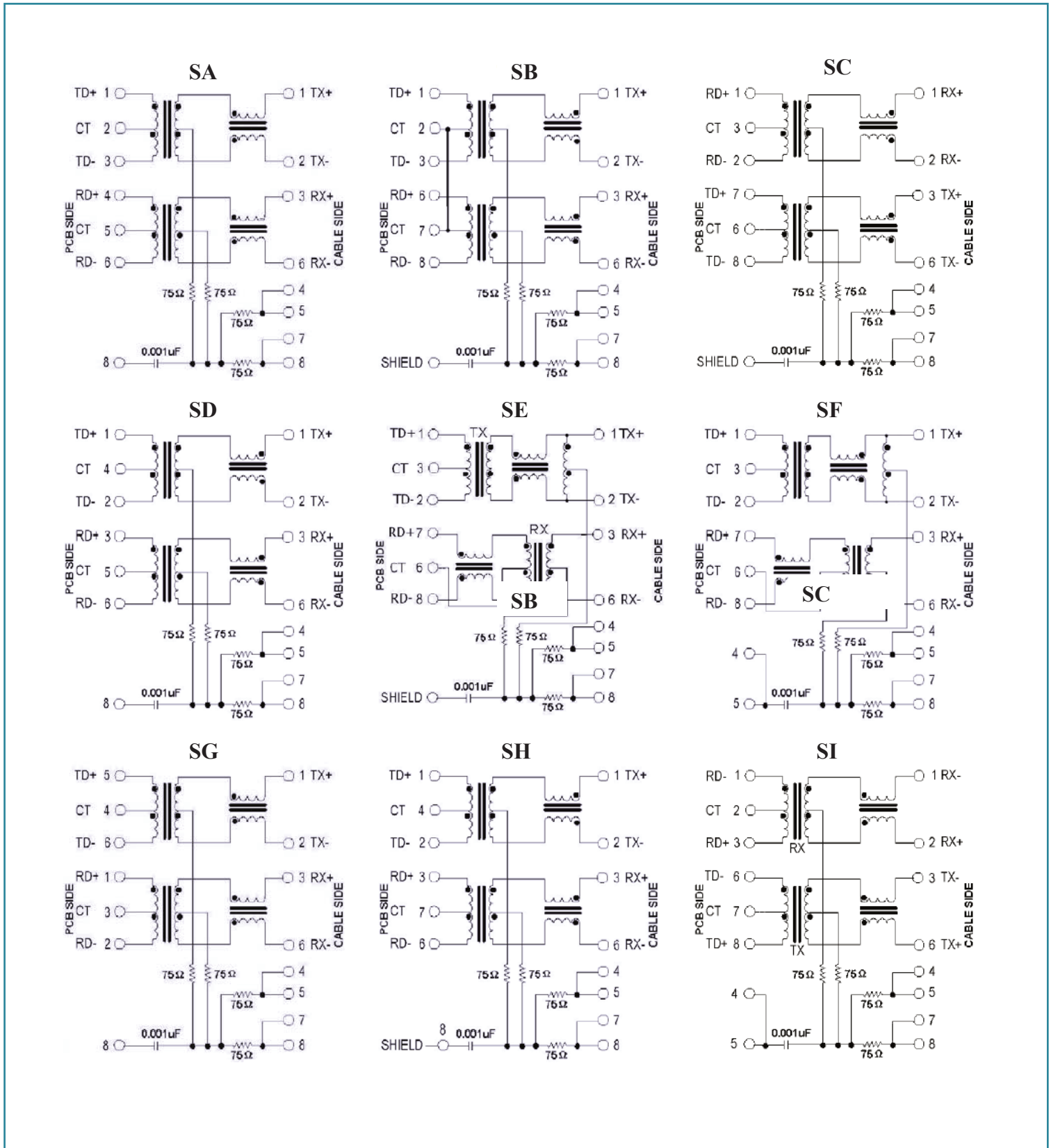


59.12 x 13.60 x 21.50 mm /  
58.40 x 13.00 x 20.54mm

ARJ14A

RoHS  
Compliant

## SCHEMATICS





# RJ45 10/100/1000 Base-TX Tab down 1x4 Jack with Magnetic Module

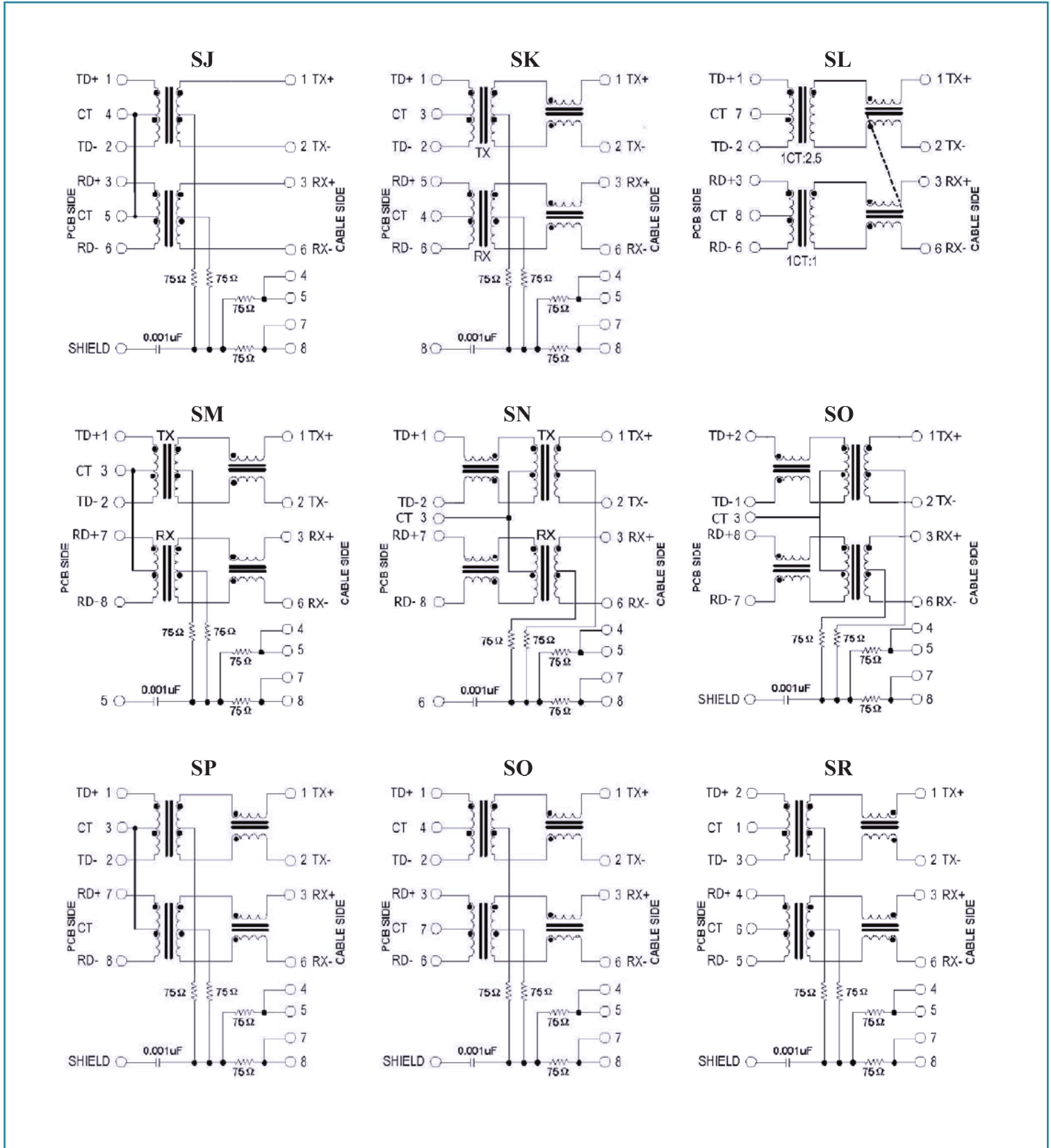


59.12 x 13.60 x 21.50 mm /  
58.40 x 13.00 x 20.54mm

ARJ14A

RoHS  
Compliant

## SCHEMATICS - continued



ABRACON IS  
ISO 9001:2008  
CERTIFIED

**ABRACON**<sup>®</sup>  
The Power of Linking Together

2 Faraday, Suite# B | Irvine | CA 92618 Revised: 01.26.16

Ph. 949.546.8000 | Fax. 949.546.8001

Visit [www.abracon.com](http://www.abracon.com) for Terms and Conditions of Sale

# RJ45 10/100/1000 Base-TX Tab down 1x4 Jack with Magnetic Module

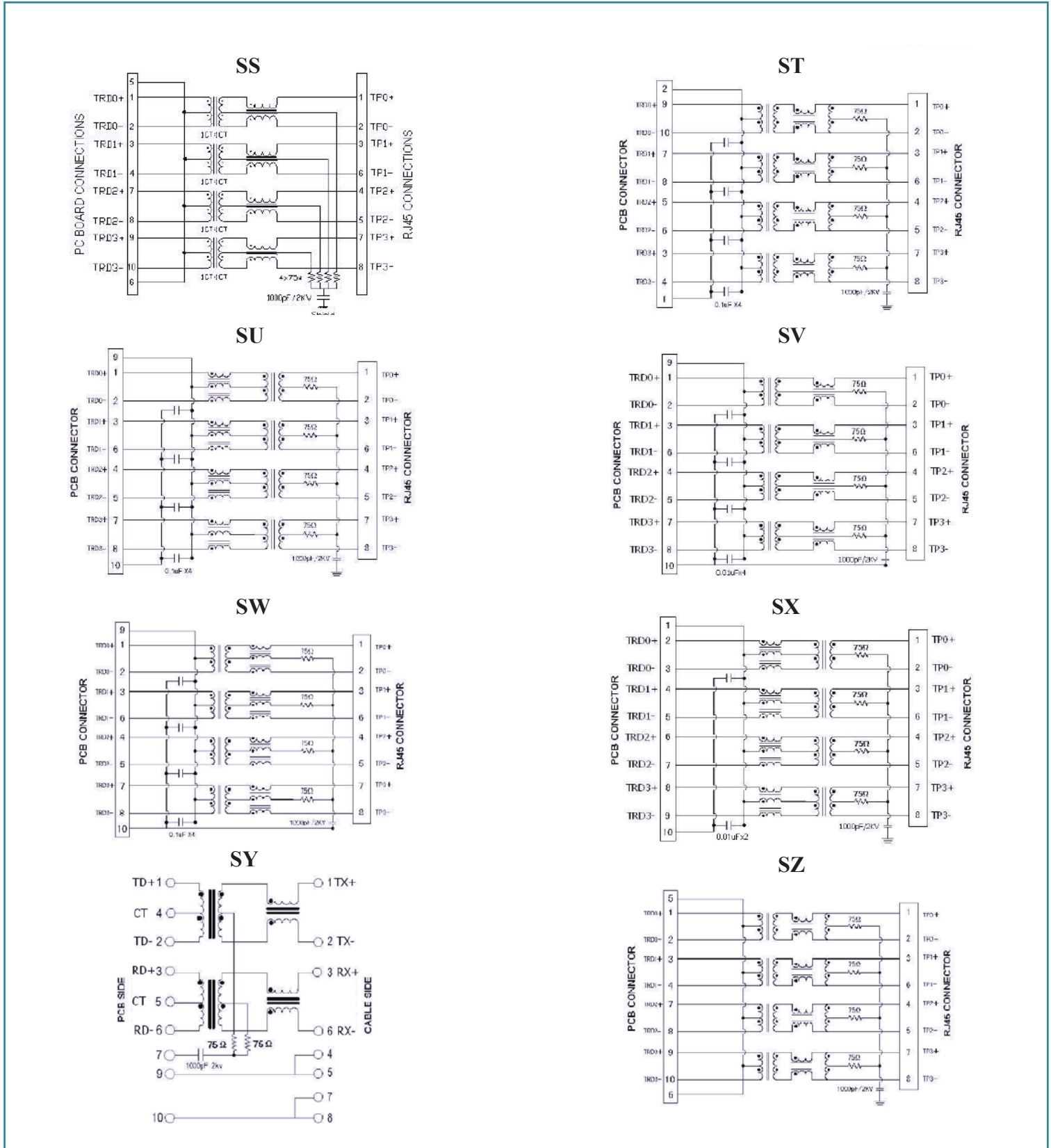


59.12 x 13.60 x 21.50 mm /  
58.40 x 13.00 x 20.54mm

ARJ14A

RoHS  
Compliant

## SCHEMATICS



ABRACON IS  
ISO 9001:2008  
CERTIFIED



2 Faraday, Suite# B | Irvine | CA 92618 Revised: 01.26.16  
Ph. 949.546.8000 | Fax. 949.546.8001

Visit [www.abracon.com](http://www.abracon.com) for Terms and Conditions of Sale



59.12 x 13.60 x 21.50 mm /  
58.40 x 13.00 x 20.54mm

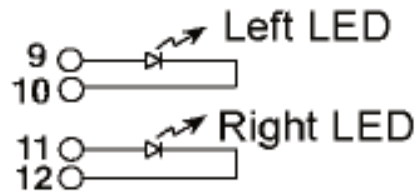
**RoHS**  
Compliant

ARJ14A

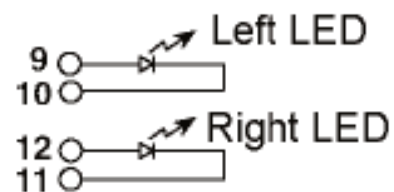
## LED POLARITY

### 8PIN:

E

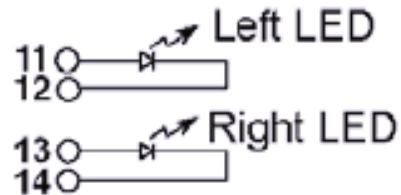


F

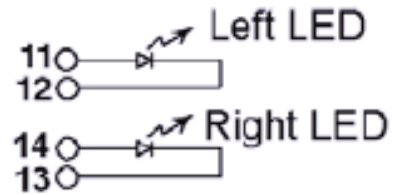


### 10PIN:

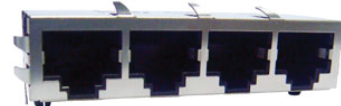
G



H



# RJ45 10/100/1000 Base-TX Tab down 1x4 Jack with Magnetic Module



59.12 x 13.60 x 21.50 mm /  
58.40 x 13.00 x 20.54mm

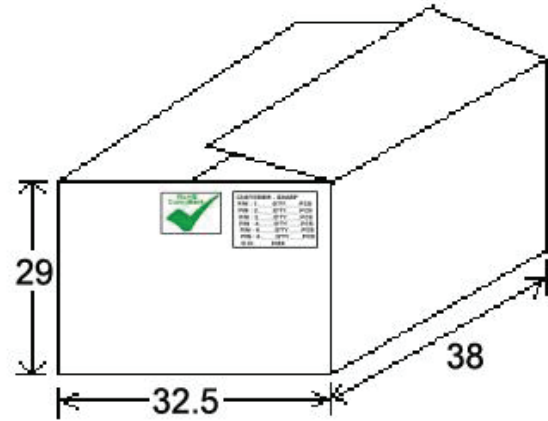
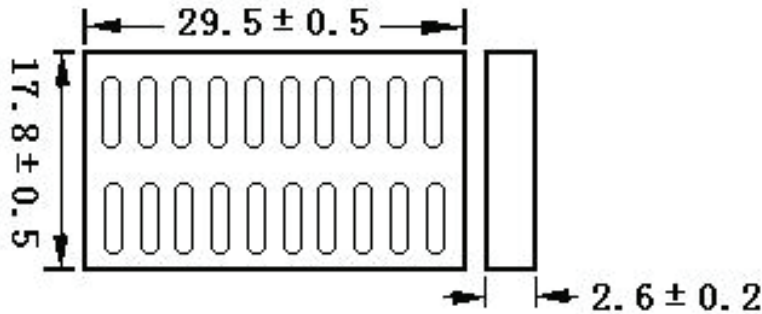
ARJ14A

**RoHS**  
Compliant

PACKING: 20pcs/tray

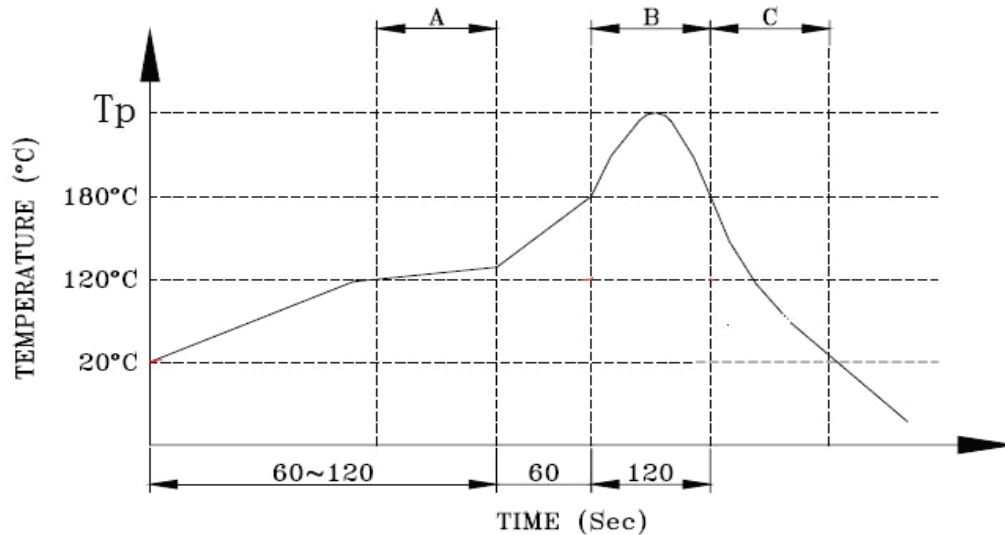
Packaging material: PET

Outer carton unit 400 pcs/ 20 Trays/box



Dimensions: cm

REFLOW PROFILE:



— PIN TEMPERATURE

A. Preheating B. Soldering C. Gradual Cooling

Peak temperature( $T_p$ ) :  $250 \pm 10^\circ\text{C}$

Peak temperature( $T_p$ ) time : 5sec max

**ATTENTION:** Abracon Corporation's products are COTS – Commercial-Off-The-Shelf products; suitable for Commercial, Industrial and, where designated, Automotive Applications. Abracon's products are not specifically designed for Military, Aviation, Aerospace, Life-dependant Medical applications or any application requiring high reliability where component failure could result in loss of life and/or property. For applications requiring high reliability and/or presenting an extreme operating environment, written consent and authorization from Abracon Corporation is required. Please contact Abracon Corporation for more information.

ABRACON IS  
ISO 9001:2008  
CERTIFIED



2 Faraday, Suite# B | Irvine | CA 92618 **Revised: 01.26.16**

Ph. 949.546.8000 | Fax. 949.546.8001

Visit [www.abracon.com](http://www.abracon.com) for Terms and Conditions of Sale

## X-ON Electronics

Largest Supplier of Electrical and Electronic Components

*Click to view similar products for [Modular Connectors](#) / [Ethernet Connectors](#) category:*

*Click to view products by [ABRACON](#) manufacturer:*

Other Similar products are found below :

[8949-H88/06BLKA/SN](#) [74441-0010/BKN](#) [MP1010RX-1000](#) [MP44RX-1000](#) [PHP-6P6C-5](#) [GAX-3-66](#) [GAX-8-62](#) [GDCX-PA-66-50](#) [GDCX-PN-64](#) [GDCX-PN-66](#) [GDCX-PN-66-50](#) [GDLX-A-66](#) [GDLX-N-66](#) [GDLX-S-66](#) [GDLX-S-88K](#) [GDTX-S-88-50](#) [GDX-PA-1010](#) [GLX-N-1010M-BLK](#) [GLX-S-88M-BLK](#) [GMX-N-1010](#) [GMX-S-1010](#) [GMX-S-66](#) [GMX-SMT4-N-88](#) [GPX-2-64](#) [GSGX-N-2-88](#) [GSGX-N-4-88](#) [GSX-NS2-88-3.05](#) [GSX-NS2-88-3.05-50](#) [GSX-NS-88-3.05-50](#) [PT-108A-8C-UL](#) [PT-J951-8C](#) [PTS-J531-8CS-50UL](#) [1-1775629-2](#) [A-2014-0-4](#) [GWLX-S-88-GR](#) [GWLX-S9-88-YG](#) [DC-1021-8-WH-6](#) [1300530003](#) [1324640-4](#) [RJ11FTVC2G](#) [RJ11FTVC2N](#) [RJFTVX2SA1G](#) [132764-001](#) [1413235](#) [MP88X-1000](#) [MPS88RX-5000](#) [E5288-S000K3-L](#) [E5908-15A242-L](#) [155302-001](#) [AX100653](#)