

# RJ45 1000Base-T, 1X2, Tab Up w/ LEDs (Green, Green), Extended Temperature

**ARJ-202A**

**RoHS/RoHS II Compliant**



31.20 x 13.55 x 25.45mm

## FEATURES:

- Compliant with IEEE802.3 standard
- Tab up RJ45 Jack 1 X 2
- High performance for maximum EMI suppression
- 350 $\mu$ H minimum OCL with 8mA bias current
- RoHS peak wave solder temperature 260 $^{\circ}$ C

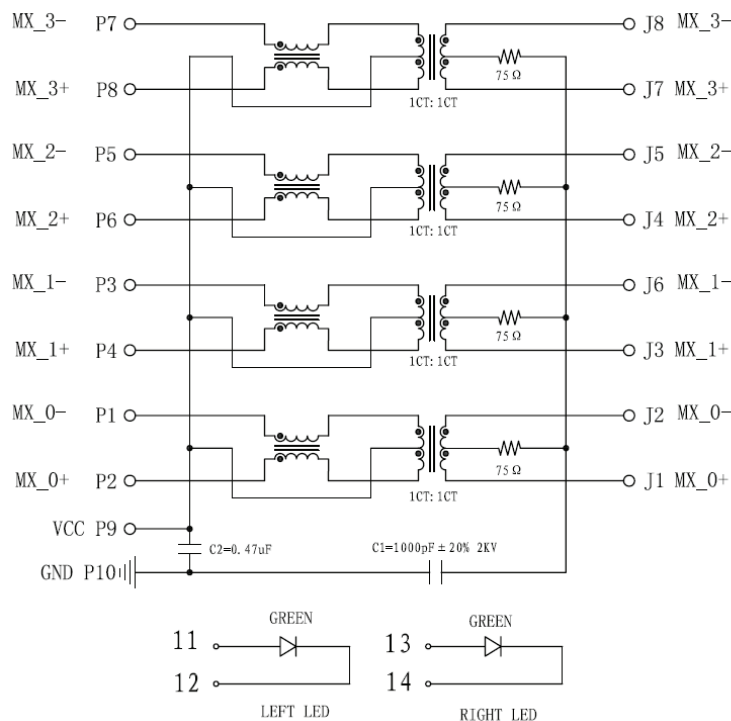
## APPLICATIONS:

- Support 1000 Base-T AutoMDIX application with LEDs
- Wide temperature range(-25 $^{\circ}$ C~70 $^{\circ}$ C)
- Ethernet Switches, Hubs, LAN-on-Motherboard(LOM) and ADSL
- Suitable CAT 3, 5e & 6 cable and UTP
- Provides signal conditioning, EMI suppression and signal isolation

## STANDARD SPECIFICATIONS

Parameters	Minimum	Typical	Maximum	Units	Notes
Operating Temperature	-40		+85	$^{\circ}$ C	
Storage Temperature	-40		+85	$^{\circ}$ C	
Turn Ratio ( $\pm$ 3%)	1CT:1CT				Tx
	1CT:1CT				Rx
Inductance (OCL)	350			$\mu$ H	100KHz/0.1V@8mA
Insertion Loss			-1.0	dB	1-100MHz
Return Loss	-18			dB	1-10MHz
	-16				10-30MHz
	-14				30-60MHz
	-12				60-80MHz
	-10				80-100MHz
Cross Talk	-40			dB	1-30MHz
	-35				30-60MHz
	-30				60-100MHz
CMR	-35			dB	1-100MHz
Hi-Pot	1500Vrms/1mA/1Sec				Pri to Sec

## SCHEMATICS



# RJ45 1000Base-T, 1X2, Tab Up w/ LEDs (Green, Green), Extended Temperature

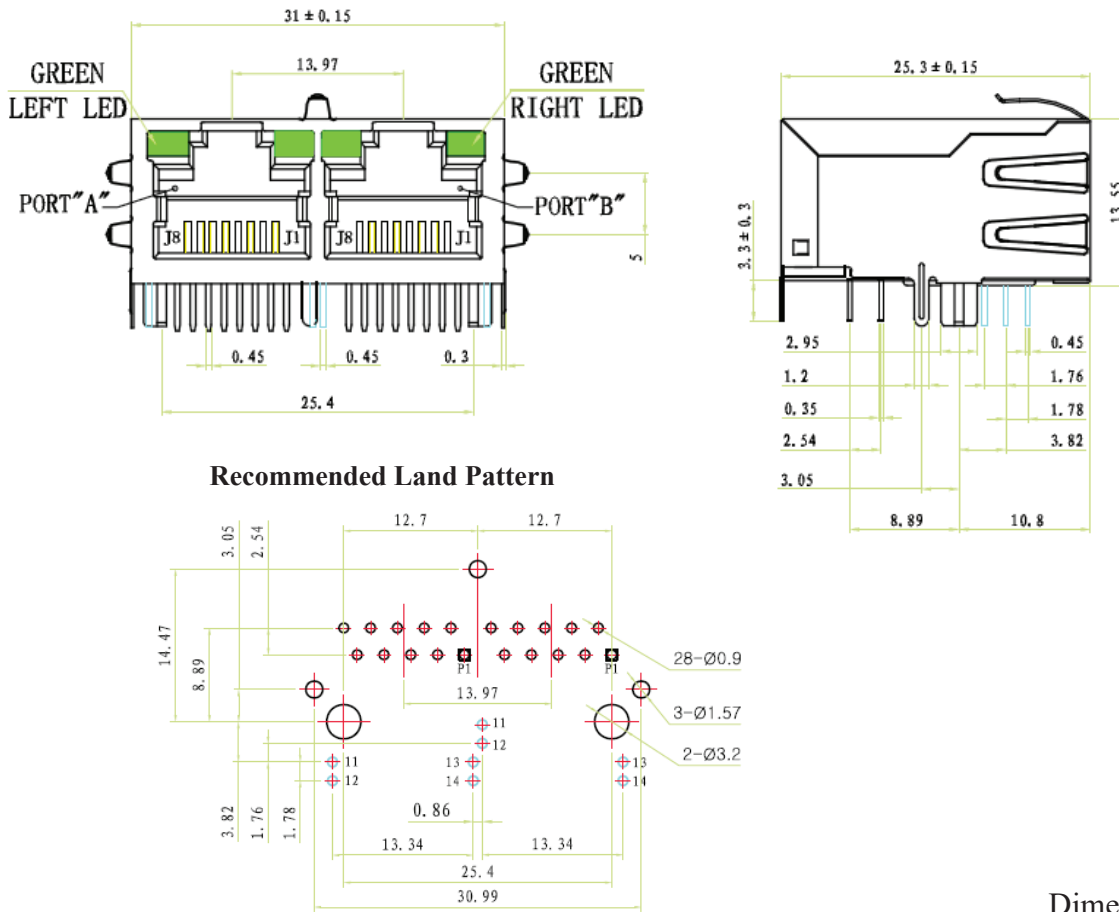
ARJ-202A

RoHS/RoHS II Compliant



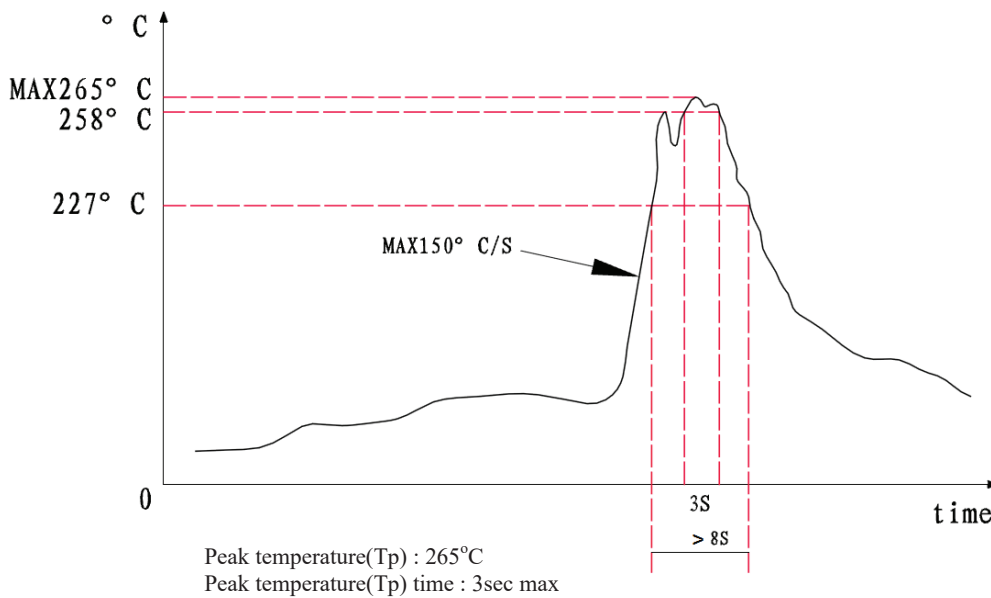
31.20 x 13.55 x 25.45mm

## MECHANICAL DIMENSIONS



Dimensions: mm

## DIP WAVE SOLDERING PROFILE



# RJ45 1000Base-T, 1X2, Tab Up w/ LEDs (Green, Green), Extended Temperature

**ARJ-202A**

**RoHS/RoHS II Compliant**

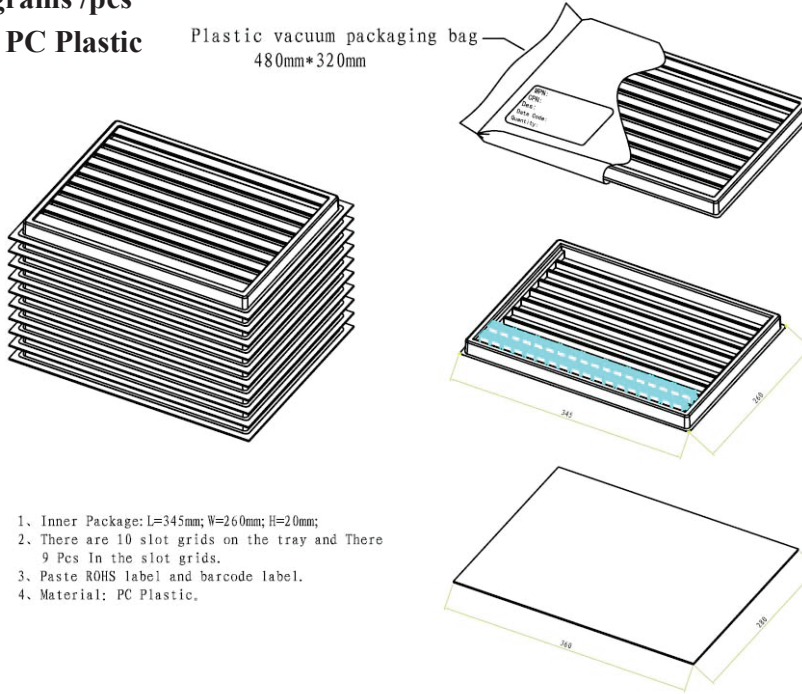


31.20 x 13.55 x 25.45mm

## PACKING:

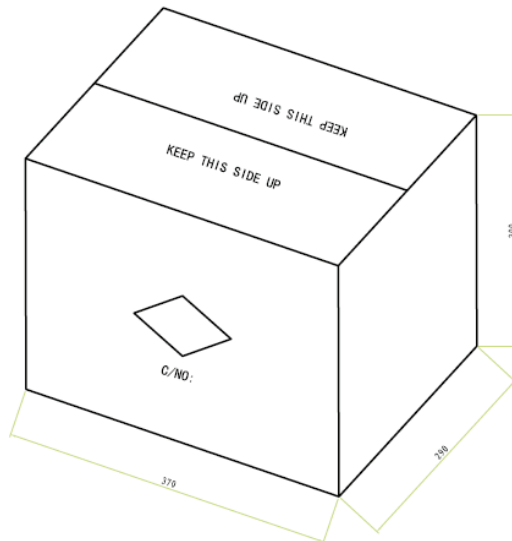
**Packing: 90 pcs/tray**  
**Weight: 12.75 grams /pcs**  
**Packaging Material: PC Plastic**

Plastic vacuum packaging bag  
480mm\*320mm



1. Inner Package: L=345mm; W=260mm; H=2.0mm;
2. There are 10 slot grids on the tray and There 9 Pcs in the slot grids.
3. Paste ROHS label and barcode label.
4. Material: PC Plastic.

**Outer carton unit (optional): 900 pcs/10 trays/box**



1. Package Box : L=370mm; W=290; H=300mm;
2. Package Box contain 10 PCS inner package Trays.
3. Material: US CARD+kraft papers.
4. There are 900 Pcs products in the Package Box.

**Dimensions: cm**

**ATTENTION:** Abracon LLC's products are COTS – Commercial-Off-The-Shelf products; suitable for Commercial, Industrial and, where designated, Automotive Applications. Abracon's products are not specifically designed for Military, Aviation, Aerospace, Life-dependent Medical applications or any application requiring high reliability where component failure could result in loss of life and/or property. For applications requiring high reliability and/or presenting an extreme operating environment, written consent and authorization from Abracon LLC is required. Please contact Abracon LLC for more information.

## X-ON Electronics

Largest Supplier of Electrical and Electronic Components

*Click to view similar products for [Modular Connectors / Ethernet Connectors](#) category:*

*Click to view products by [ABRACON](#) manufacturer:*

Other Similar products are found below :

[8949-H88/06BLKA/SN](#) [74441-0010/BKN](#) [MP1010RX-1000](#) [MP44RX-1000](#) [PHP-6P6C-5](#) [GAX-3-66](#) [GAX-8-62](#) [GDCX-PA-66-50](#) [GDCX-PN-64](#) [GDCX-PN-66](#) [GDCX-PN-66-50](#) [GDLX-A-66](#) [GDLX-N-66](#) [GDLX-S-66](#) [GDLX-S-88K](#) [GDTX-S-88-50](#) [GDX-PA-1010](#) [GLX-N-1010M-BLK](#) [GLX-S-88M-BLK](#) [GMX-N-1010](#) [GMX-S-1010](#) [GMX-S-66](#) [GMX-SMT4-N-88](#) [GPX-2-64](#) [GSGX-N-2-88](#) [GSGX-N-4-88](#) [GSX-NS2-88-3.05](#) [GSX-NS2-88-3.05-50](#) [GSX-NS-88-3.05-50](#) [PT-108A-8C-UL](#) [PT-J951-8C](#) [PTS-J531-8CS-50UL](#) [1-1775629-2](#) [A-2014-0-4](#) [GWLX-S-88-GR](#) [GWLX-S9-88-YG](#) [DC-1021-8-WH-6](#) [1300530003](#) [1324640-4](#) [RJ11FTVC2G](#) [RJ11FTVC2N](#) [RJFTVX2SA1G](#) [132764-001](#) [1413235](#) [MP88X-1000](#) [MPS88RX-5000](#) [MRJR-5481-0F2](#) [E5288-S000K3-L](#) [E5908-15A242-L](#) [155302-001](#)