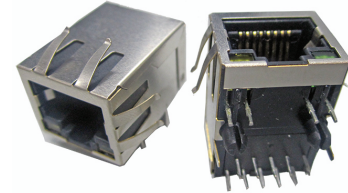


RJ45 1000 Base-T, Single Port w/ LEDs, Extended Temperature

ARJ-205

RoHS/RoHS II Compliant



16.26 x 13.84 x 21.59mm

FEATURES:

- Compliant with IEEE802.3 standard
- Designed for Network Interface Cards(NIC), LAN-on-Motherboard(LOM) and PC applications Ethernet Switch, Servers, & Access Point Routers
- High performance for maximum EMI suppression
- 350 μ H minimum OCL with 8mA bias current
- RoHS peak wave solder temperature 260 $^{\circ}$ C

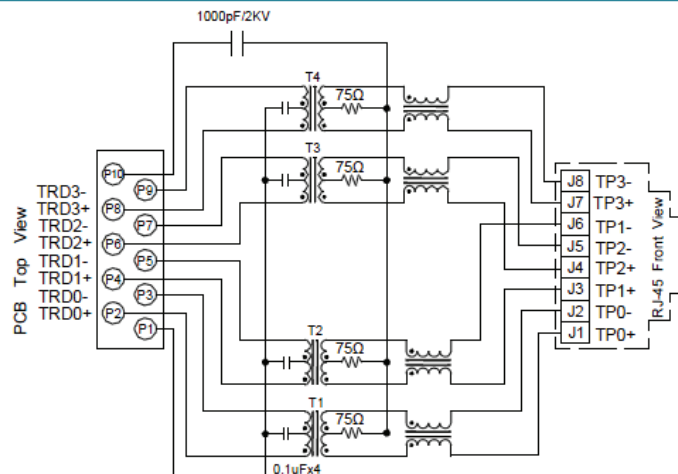
APPLICATIONS:

- Support 1000 Base-T applications w LEDs
- Extended Temperature (-40 $^{\circ}$ C~85 $^{\circ}$ C)
- Applicable for Ethernet Switch, Servers, & Access Point Routers
- Provides signal conditioning, EMI suppression and signal isolation
- Shorter body design for tight spacing area

STANDARD SPECIFICATIONS

Parameters	Minimum	Typical	Maximum	Units	Notes
Operating Temperature	-40		+85	$^{\circ}$ C	
Storage Temperature	-40		+85	$^{\circ}$ C	
Turn Ratio (\pm 5%)	1CT:1CT				Tx
	1CT:1CT				Rx
Inductance (OCL)	350			μ H	100KHz/0.1V@8mA
Insertion Loss			-1.2	dB	0.3-100MHz
Return Loss	-16			dB	1-30MHz
	-13.5				40MHz
	-11.5				50MHz
	-10				60-80MHz
Cross Talk	-40			dB	30MHz
	-36				60MHz
	-30				100MHz
DCMR	-35			dB	30MHz
	-32				60MHz
	-30				100MHz
Hi-Pot	1500Vrms/0.5mA/60Sec or 1650Vrms/0.5mA/2Sec				Pri to Sec

SCHEMATICS



Standard LED	Wavelength	Forward*V(MAX)	TYP
Green	565nm	2.5v	2.2v
Yellow	585nm	2.5v	2.1v

With a forward current of 20mA

ABRACON IS
ISO 9001:2008
CERTIFIED



2 Faraday, Suite# B | Irvine | CA 92618 **Revised: 07.01.15**

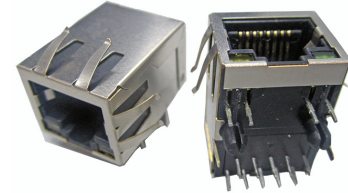
Ph. 949.546.8000 | Fax. 949.546.8001

Visit www.abracon.com for Terms and Conditions of Sale

RJ45 1000 Base-T, Single Port w/ LEDs, Extended Temperature

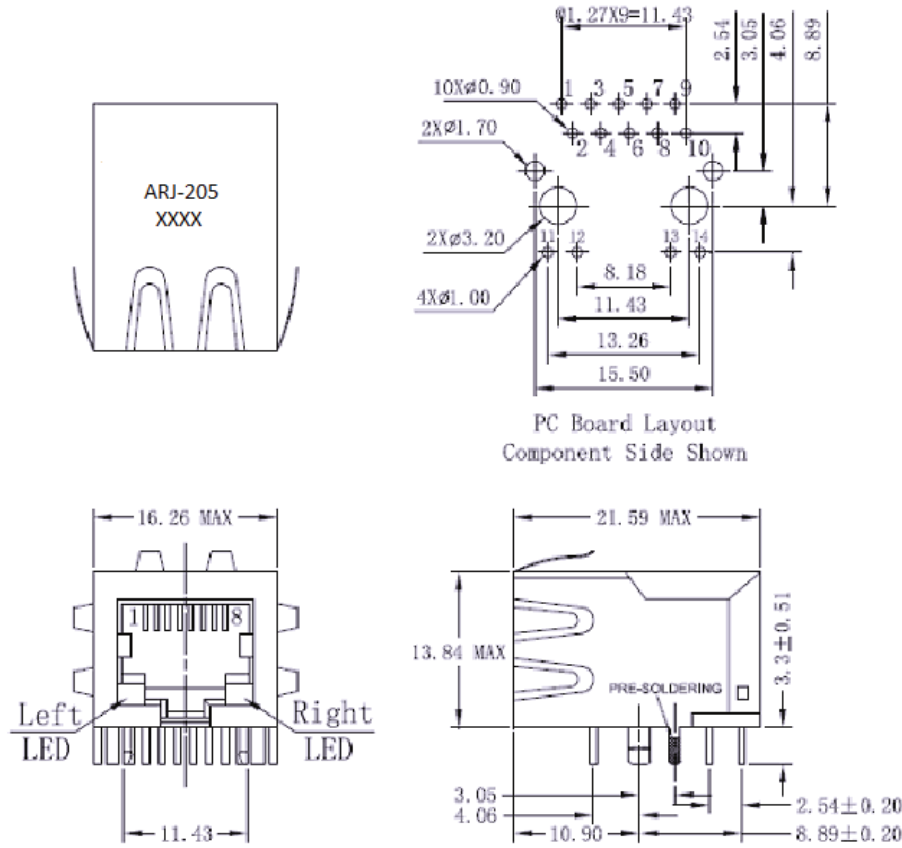
ARJ-205

RoHS/RoHS II Compliant



16.26 x 13.84 x 21.59mm

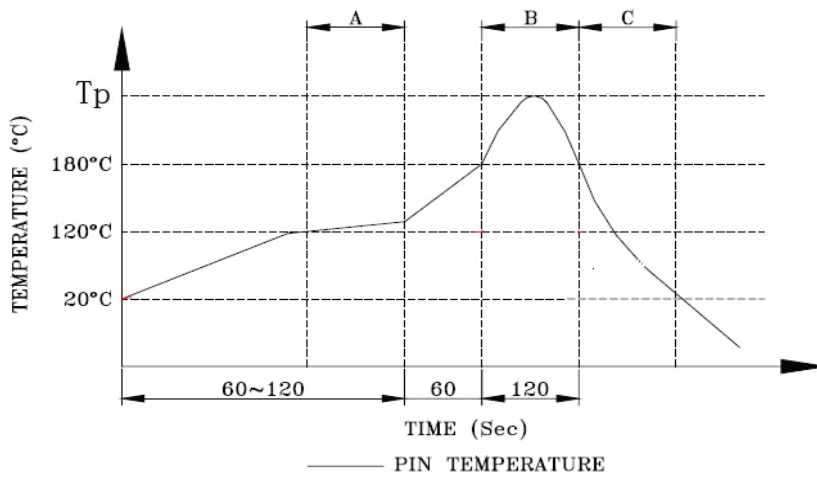
MECHANICAL DIMENSIONS



PC Board Layout
Component Side Shown

Dimensions: mm (Unless otherwise specified, all tolerances are ±0.25)

WAVE SOLDERING PROFILE



A. Preheating B. Soldering C. Gradual Cooling

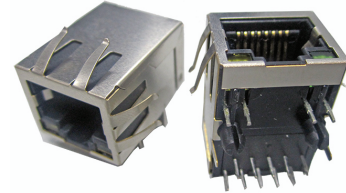
Peak temperature (Tp) : 250± 10°C

Peak temperature (Tp) time : 5sec max

RJ45 1000 Base-T, Single Port w/ LEDs, Extended Temperature

ARJ-205

RoHS/RoHS II Compliant

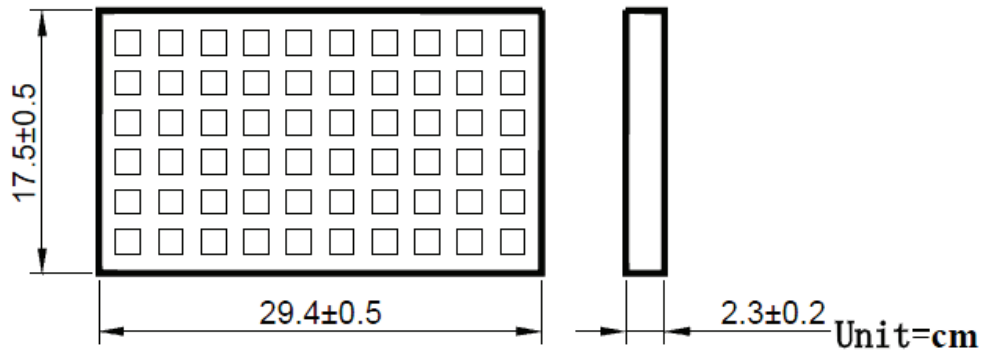


16.26 x 13.84 x 21.59mm

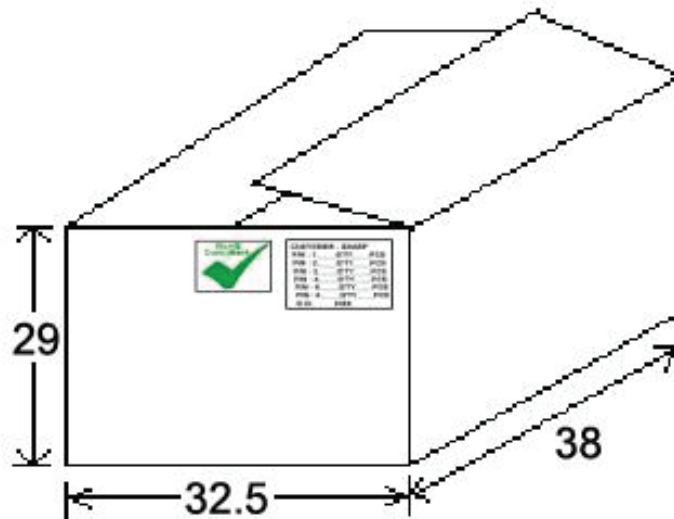
PACKING:

Packing: (60 pcs/tray)

Packaging Material: PET



Outer carton unit (optional): 1320 pcs/ 22 Trays/box



Dimensions: cm

ATTENTION: Abracon Corporation's products are COTS – Commercial-Off-The-Shelf products; suitable for Commercial, Industrial and, where designated, Automotive Applications. Abracon's products are not specifically designed for Military, Aviation, Aerospace, Life-dependant Medical applications or any application requiring high reliability where component failure could result in loss of life and/or property. For applications requiring high reliability and/or presenting an extreme operating environment, written consent and authorization from Abracon Corporation is required. Please contact Abracon Corporation for more information.

ABRACON IS
ISO 9001:2008
CERTIFIED



2 Faraday, Suite# B | Irvine | CA 92618 **Revised: 07.01.15**

Ph. 949.546.8000 | Fax. 949.546.8001

Visit www.abracon.com for Terms and Conditions of Sale

X-ON Electronics

Largest Supplier of Electrical and Electronic Components

Click to view similar products for [Modular Connectors](#) / [Ethernet Connectors](#) category:

Click to view products by [ABRACON](#) manufacturer:

Other Similar products are found below :

[RJE231881317T](#) [MP1010RX-1000](#) [MP44RX-1000](#) [GAX-3-66](#) [GAX-8-62](#) [93606-0253](#) [GD-A-44](#) [GDCX-PA-66-50](#) [GDCX-PN-64](#) [GDCX-PN-66](#) [GDCX-PN-66-50](#) [GDLX-A-66](#) [GDLX-A-88](#) [GDLX-N-66](#) [GDLX-S-88K](#) [GDTX-S-88-50](#) [GDX-PA-1010](#) [GLX-N-1010M-BLK](#) [GLX-N-44M](#) [GLX-S-88M-BLK](#) [GMX-N-1010](#) [GMX-S-1010](#) [GMX-S-66](#) [GMX-SMT2-N-1010](#) [GMX-SMT2-N-64-50](#) [GMX-SMT2-S6-88](#) [GMX-SMT4-N-88](#) [GPX-2-64](#) [GRT1-BT1-5](#) [GSGX-N-2-88](#) [GSX-NS2-88-3.05](#) [GSX-NS2-88-3.05-50](#) [GSX-NS-88-3.05-30](#) [GSX-NS-88-3.05-50](#) [GSX-NS-88-3.68](#) [1-1775629-2](#) [GWLX-S-88-GR](#) [GWLX-S9-88-YG](#) [1300500326](#) [1300500227](#) [1300530003](#) [1300570002](#) [1324640-4](#) [RJ11FTVC2G](#) [RJ11FTVC2N](#) [RJFTVX2SA1G](#) [132764-001](#) [1400000](#) [1413176](#) [1413235](#)