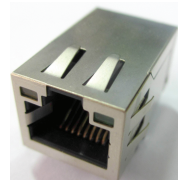


RJ45, Single Port, Tap Up, Thru-Hole, 1000 Base-T

ARJE-0027

RoHS/RoHS II Compliant



16.89 x 13.74 x 33.02mm

FEATURES:

- Compliant with IEEE802.3 standard
- 350uH minimum OCL with 8mA bias current
- High performance for maximum EMI suppression
- High reliability – 750 mating/unmating cycles

APPLICATIONS:

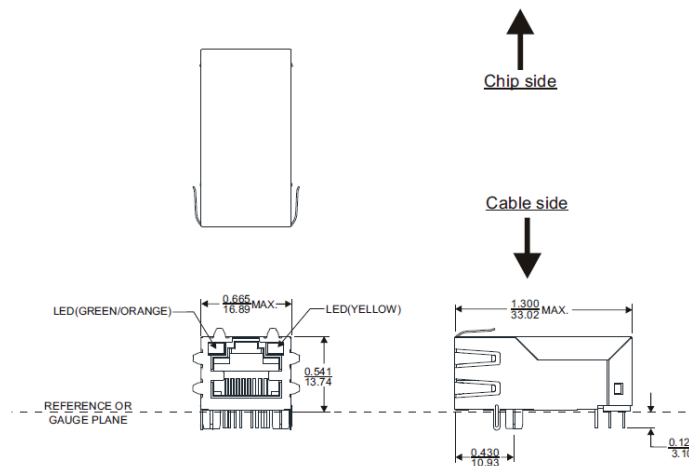
- Designed for Marvell 88E1119R Gigabit Ethernet transceiver device
- Supports 10/100/1000 Base-T applications
- Provides signal conditioning, EMI suppression and signal isolation

STANDARD SPECIFICATIONS

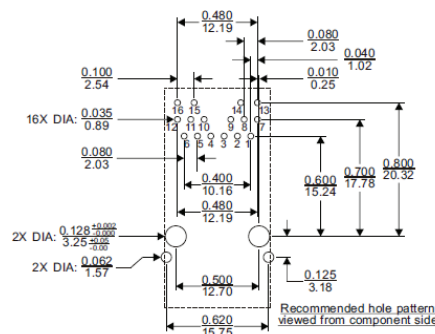
Operating temperature range: 0°C to +70°C Storage temperature range: -40°C to +85°C

Parameters	Minimum	Typical	Maximum	Units	Notes
Turn Ratio (±3%)	1CT:1CT				
Inductance	350			uH	100kHz, 0.1 Vrms, 8mADC
Insertion Loss			-1.0	dB	0.1-100MHz
Return Loss	-16.0			dB	1-30MHz
	-14.5				30-60MHz
	-12.0				80MHz
Crosstalk	-30.0			dB	0.1-100MHz
CMRR	-30.0			dB	0.1-100MHz
Hipot	1500Vrms				Pri to Sec

MECHANICAL DIMENSIONS



Recommended Land Pattern



Dimensions: inch/mm (Unless otherwise specified, all tolerances are ±0.01/0.25)

ABRACON IS
ISO 9001:2008
CERTIFIED



ABRACON
CORPORATION

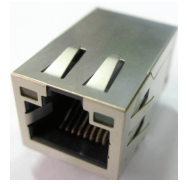
Visit www.abracon.com for Terms & Conditions of Sale
30332 Esperanza, Rancho Santa Margarita, California 92688
tel 949-546-8000 | fax 949-546-8001 | www.abracon.com

Revised: 11.01.13

RJ45, Single Port, Tap Up, Thru-Hole, 1000 Base-T

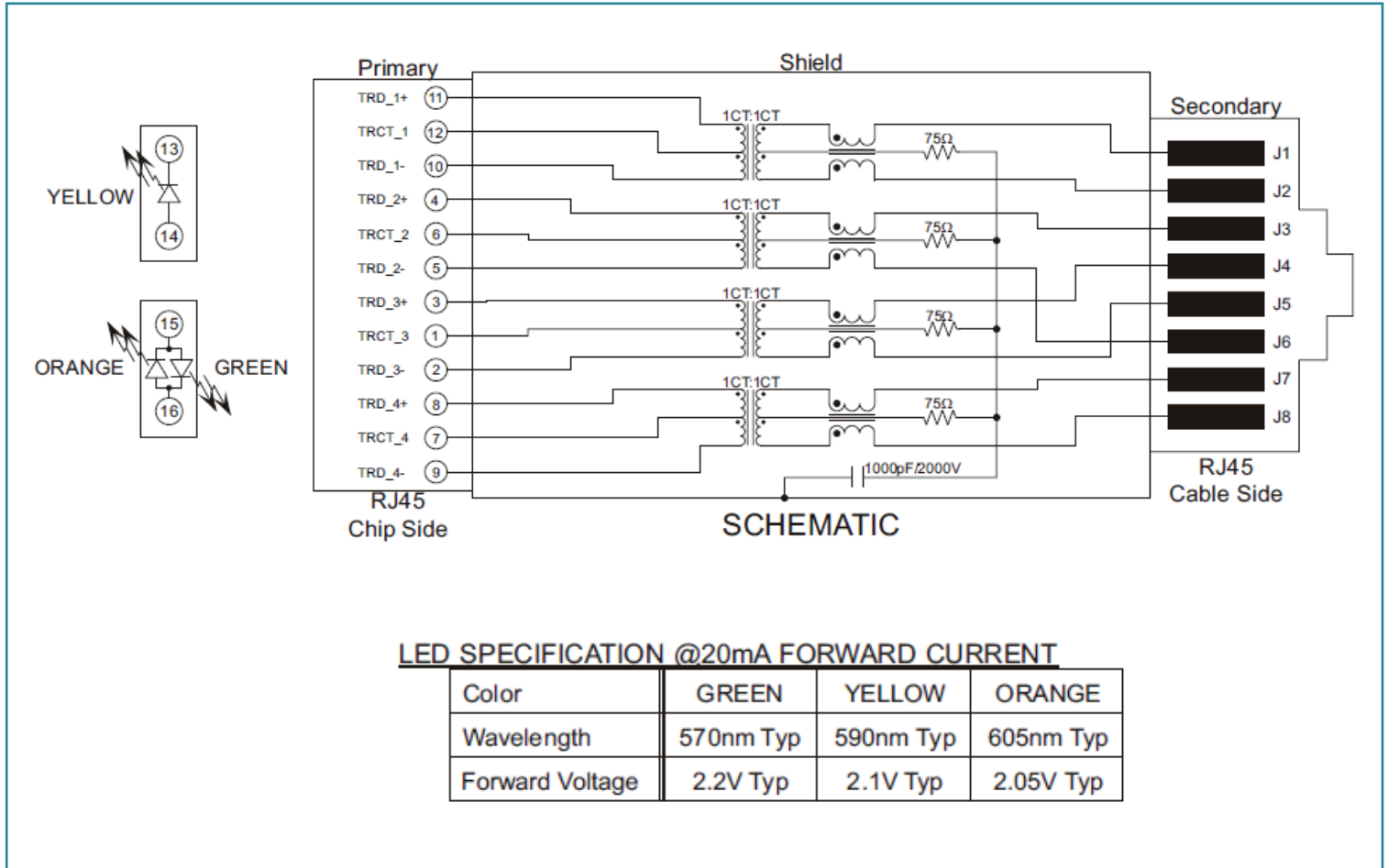
ARJE-0027

RoHS/RoHS II Compliant



16.89 x 13.74 x 33.02mm

SCHEMATICS



Packing: 120pcs/tray

ATTENTION: Abracon Corporation's products are COTS – Commercial-Off-The-Shelf products; suitable for Commercial, Industrial and, where designated, Automotive Applications. Abracon's products are not specifically designed for Military, Aviation, Aerospace, Life-dependant Medical applications or any application requiring high reliability where component failure could result in loss of life and/or property. For applications requiring high reliability and/or presenting an extreme operating environment, written consent and authorization from Abracon Corporation is required. Please contact Abracon Corporation for more information.

ABRACON IS
ISO 9001:2008
CERTIFIED



Visit www.abracon.com for Terms & Conditions of Sale
30332 Esperanza, Rancho Santa Margarita, California 92688
tel 949-546-8000 | fax 949-546-8001 | www.abracon.com

Revised: 11.01.13

X-ON Electronics

Largest Supplier of Electrical and Electronic Components

Click to view similar products for [Modular Connectors](#) / [Ethernet Connectors](#) category:

Click to view products by [ABRACON](#) manufacturer:

Other Similar products are found below :

[8949-H88/06BLKA/SN](#) [74441-0010/BKN](#) [MP1010RX-1000](#) [MP44RX-1000](#) [PHP-6P6C-5](#) [GAX-3-66](#) [GAX-8-62](#) [GDCX-PA-66-50](#) [GDCX-PN-64](#) [GDCX-PN-66](#) [GDCX-PN-66-50](#) [GDLX-A-66](#) [GDLX-N-66](#) [GDLX-S-66](#) [GDLX-S-88K](#) [GDTX-S-88-50](#) [GDX-PA-1010](#) [GLX-N-1010M-BLK](#) [GLX-S-88M-BLK](#) [GMX-N-1010](#) [GMX-S-1010](#) [GMX-S-66](#) [GMX-SMT4-N-88](#) [GPX-2-64](#) [GSGX-N-2-88](#) [GSGX-N-4-88](#) [GSX-NS2-88-3.05](#) [GSX-NS2-88-3.05-50](#) [GSX-NS-88-3.05-50](#) [PT-108A-8C-UL](#) [PT-J951-8C](#) [PTS-J531-8CS-50UL](#) [1-1775629-2](#) [A-2014-0-4](#) [GWLX-S-88-GR](#) [GWLX-S9-88-YG](#) [DC-1021-8-WH-6](#) [1300530003](#) [1324640-4](#) [RJ11FTVC2G](#) [RJ11FTVC2N](#) [RJFTVX2SA1G](#) [132764-001](#) [1413235](#) [MP88X-1000](#) [MPS88RX-5000](#) [E5288-S000K3-L](#) [E5908-15A242-L](#) [155302-001](#) [AX100653](#)