

RJ45, Single Port, 10/100/1G/5G Base-T Magnetics Module



ARJM11 Series

Request Samples



Check Inventory



21.30 x 15.90 x 13.60mm
RoHS/RoHS II Compliant
MSL Level = 1

Features

- IEEE 802.3 compliant and UL certified
- High performance integrated magnetics for EMI suppression
- Suitable for CAT5 and CAT6 UTP cabling
- RoHS peak wave solder temperature rating 265°C
- Extended operating temperature -40 to 85°C option

Applications

- Single port 10/100/1G/5G Base-T LAN
- Network Interface Cards
- Switches/Routers
- Network attached storage
- Servers, NIC's
- Media converters

Electrical Specifications

| Parameters | Minimum | Typical | Maximum | Units | Notes |
|-------------------------------|---------|---------|---------|---------------|------------------------|
| Turn Ratio ($\pm 3\%$) | 1CT:1CT | | | | 100kHz, 0.1V |
| Inductance | 350 | | | μH | 100kHz, 0.1V, 8mADC |
| | 200 | | | | For 2.5G Base-T only |
| | 160 | | | | For 5G Base-T only |
| Operating Temperature | -40 | | +85 | °C | See options |
| Storage Temperature | -40 | | +85 | °C | |
| HiPOT | 2250 | | | VDC | VDC for 60 sec. |
| 100 Base-T | | | | | |
| Insertion Loss | | | -1.0 | dB | 0.3-100MHz |
| Return Loss | -18 | | | dB | 1-30MHz |
| | -13 | | | | 30-60MHz |
| | -10 | | | | 60-100MHz |
| Crosstalk | -30 | | | dB | 1-1000MHz |
| CMRR | -30 | | | dB | 1-100MHz |
| 100 Base-T PoE, PoE+ | | | | | |
| Insertion Loss | | | -1.1 | dB | 0.5-100MHz |
| Return Loss | -18 | | | dB | 0.5-30MHz |
| | -15 | | | | 30-60MHz |
| | -12 | | | | 60-80MHz |
| Crosstalk | -35 | | | dB | 0.5-40MHz |
| | -30 | | | | 40-100MHz |
| CMRR | -30 | | | dB | 0.5-100MHz |
| DC Resistance | | | 1.0 | Ω | Secondary (cable) side |
| POE Balanced DC line current | | | 350 | mA | @57VDC continuous |
| | | | 500 | | @57VDC for 200ms |
| POE+ Balanced DC line current | | | 600 | mA | @57VDC continuous |
| | | | 720 | | @57VDC for 200ms |



5101 Hidden Creek Ln Spicewood TX 78669
 Phone: 512-371-6159 | Fax: 512-351-8858
 For terms and conditions of sales, please visit:
www.abracon.com

REVISED: 01-21-20

ABRACON IS
 ISO9001-2015
 CERTIFIED

RJ45, Single Port, 10/100/1G/5G Base-T Magnetics Module



ARJM11 Series

Request Samples



Check Inventory



21.30 x 15.90 x 13.60mm
RoHS/RoHS II Compliant
MSL Level = 1

| Parameters | Minimum | Typical | Maximum | Units | Notes |
|--------------------|-----------------------------|---------|---------|-------|------------|
| 1000 Base-T | | | | | |
| Insertion Loss | - | | -1.1 | dB | 0.3-100MHz |
| Return Loss | -16 | | | dB | 1-30MHz |
| | -13 | | | | 30-60MHz |
| | -10 | | | | 60-100MHz |
| Crosstalk | -30 | | | dB | 1-100MHz |
| CMRR | -30 | | | dB | 1-100MHz |
| 2.5G Base-T | | | | | |
| Insertion Loss | | | -1.0 | dB | 1-50MHz |
| | | | -1.5 | | 50-125MHz |
| Return Loss | -18 | | | dB | 1-40MHz |
| | $-18+15\log(f/40)^\ddagger$ | | | | 40-250MHz |
| Crosstalk | -35 | | | dB | 1-40MHz |
| | $-35+15\log(f/40)^\ddagger$ | | | | 40-125MHz |
| CMRR | -30 | | | dB | 1-200MHz |
| 5G Base-T | | | | | |
| Insertion Loss | -0.5 | | | dB | 1-50MHz |
| | -1.0 | | | | 50-125MHz |
| | -2.0 | | | | 125-200MHz |
| | -2.5 | | | | 200-250MHz |
| Return Loss | -20 | | | dB | 1-50MHz |
| | $-20+15\log(f/40)^\ddagger$ | | | | 50-250MHz |
| Crosstalk | -25 | | | dB | 1-125MHz |
| | -20 | | | | 125-250MHz |
| CMRR | -23 | | | dB | 1-250MHz |

‡ f represents the test frequency specified in MHz

ARJM11 Series is RoHS/RoHS II Compliant

MSL level: 1

UL Certification Number: E503350



5101 Hidden Creek Ln Spicewood TX 78669
 Phone: 512-371-6159 | Fax: 512-351-8858
 For terms and conditions of sales, please visit:
www.abracon.com

REVISED: 01-21-20

ABRACON IS
 ISO9001-2015
 CERTIFIED

RJ45, Single Port, 10/100/1G/5G Base-T Magnetics Module



ARJM11 Series

Request Samples

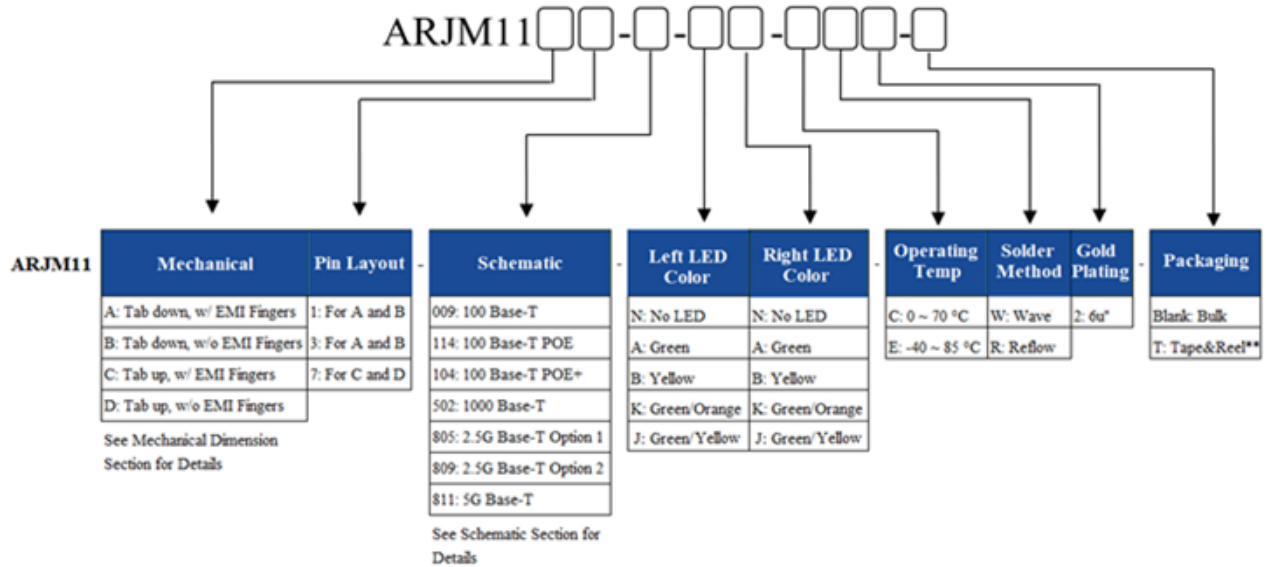


Check Inventory



21.30 x 15.90 x 13.60mm
RoHS/RoHS II Compliant
MSL Level = 1

Part Number Identification



Not all combinations are supported. Please see the tables on the next pages for available part numbers.

**Part numbers containing 'R' in the suffix refers to the reflow soldering method. These devices are available in bulk/tray and T&R packaging. See available parts list below and the Packaging section for more detail.

RJ45, Single Port, 10/100/1G/5G Base-T Magnetics Module



ARJM11 Series

Request Samples



Check Inventory



21.30 x 15.90 x 13.60mm
RoHS/RoHS II Compliant
MSL Level = 1

Available Part Numbers

100 Base-T Standard Part Numbers

| Part Number | Speed | Tab Direction | LED (Left:Right) | Operating Temp | Solder Method | Pkg Format |
|---------------------|------------|---------------|------------------|----------------|---------------|------------|
| ARJM11A1-009-AB-ER2 | 100 Base-T | Tab Down | G : Y | -40°C ~ 85°C | Reflow | B, C |
| ARJM11A1-009-AB-EW2 | 100 Base-T | Tab Down | G : Y | -40°C ~ 85°C | Wave | A |
| ARJM11A1-009-AB-EW4 | 100 Base-T | Tab Down | G : Y | -40°C ~ 85°C | Wave | A |
| ARJM11A1-009-NN-ER3 | 100 Base-T | Tab Down | No LED | -40°C ~ 85°C | Reflow | B, C |
| ARJM11A1-009-NN-EW2 | 100 Base-T | Tab Down | No LED | -40°C ~ 85°C | Wave | A |
| ARJM11A3-009-AB-ER2 | 100 Base-T | Tab Down | G : Y | -40°C ~ 85°C | Reflow | B, C |
| ARJM11B1-009-AB-EW2 | 100 Base-T | Tab Down | G : Y | -40°C ~ 85°C | Wave | A |
| ARJM11B1-009-NN-ER2 | 100 Base-T | Tab Down | No LED | -40°C ~ 85°C | Reflow | B, C |
| ARJM11B1-009-NN-EW2 | 100 Base-T | Tab Down | No LED | -40°C ~ 85°C | Wave | A |
| ARJM11C7-009-AB-EW2 | 100 Base-T | Tab Up | G : Y | -40°C ~ 85°C | Wave | A |
| ARJM11C7-009-KB-EW2 | 100 Base-T | Tab Up | G/O : Y | -40°C ~ 85°C | Wave | A |
| ARJM11C7-009-NN-EW2 | 100 Base-T | Tab Up | No LED | -40°C ~ 85°C | Wave | A |
| ARJM11D7-009-AB-EW2 | 100 Base-T | Tab Up | G : Y | -40°C ~ 85°C | Wave | A |
| ARJM11D7-009-NN-EW2 | 100 Base-T | Tab Up | No LED | -40°C ~ 85°C | Wave | A |

100 Base-T POE and POE+ Standard Part Numbers

| Part Number | Speed | Tab Direction | LED (Left:Right) | Operating Temp | Solder Method | Pkg Format |
|---------------------|-----------------|---------------|------------------|----------------|---------------|------------|
| ARJM11C7-104-AB-EW2 | 100 Base-T POE+ | Tab Up | G : Y | -40°C ~ 85°C | Wave | B, C |
| ARJM11C7-104-BA-EW2 | 100 Base-T POE+ | Tab Up | Y : G | -40°C ~ 85°C | Wave | B, C |
| ARJM11C7-114-BA-EW2 | 100 Base-T POE | Tab Up | Y : G | -40°C ~ 85°C | Wave | B, C |
| ARJM11C7-114-NN-CW2 | 100 Base-T POE | Tab Up | No LED | 0°C ~ 70°C | Wave | B, C |
| ARJM11D7-104-AB-EW2 | 100 Base-T POE+ | Tab Up | G : Y | -40°C ~ 85°C | Wave | B, C |
| ARJM11D7-114-AB-ER2 | 100 Base-T POE | Tab Up | G : Y | -40°C ~ 85°C | Reflow | B, C |
| ARJM11D7-114-AB-EW2 | 100 Base-T POE | Tab Up | G : Y | -40°C ~ 85°C | Wave | B, C |
| ARJM11D7-114-NN-EW4 | 100 Base-T POE | Tab Up | No LED | -40°C ~ 85°C | Wave | B, C |



5101 Hidden Creek Ln Spicewood TX 78669
Phone: 512-371-6159 | Fax: 512-351-8858
For terms and conditions of sales, please visit:
www.abracon.com

REVISED: 01-21-20

ABRACON IS
ISO9001-2015
CERTIFIED

RJ45, Single Port, 10/100/1G/5G Base-T Magnetics Module



ARJM11 Series

Request Samples



Check Inventory



21.30 x 15.90 x 13.60mm
RoHS/RoHS II Compliant
MSL Level = 1

1000 Base-T Standard Part Numbers

| Part Number | Speed | Tab Direction | LED (Left:Right) | Operating Temp | Solder Method | Pkg Method |
|---------------------|-------------|---------------|------------------|----------------|---------------|------------|
| ARJM11A1-502-AB-CW2 | 1000 Base-T | Tab Down | G : Y | 0°C ~ 70°C | Wave | A |
| ARJM11A1-502-AB-ER2 | 1000 Base-T | Tab Down | G : Y | -40°C ~ 85°C | Reflow | B, C |
| ARJM11A1-502-AB-EW2 | 1000 Base-T | Tab Down | G : Y | -40°C ~ 85°C | Wave | A |
| ARJM11A1-502-JJ-EW2 | 1000 Base-T | Tab Down | G/Y : G/Y | -40°C ~ 85°C | Wave | A |
| ARJM11A1-502-NN-EW2 | 1000 Base-T | Tab Down | No LED | -40°C ~ 85°C | Wave | A |
| ARJM11B1-502-AB-EW2 | 1000 Base-T | Tab Down | G : Y | -40°C ~ 85°C | Wave | A |
| ARJM11B1-502-NN-EW2 | 1000 Base-T | Tab Down | No LED | -40°C ~ 85°C | Wave | A |
| ARJM11C7-502-AB-ER2 | 1000 Base-T | Tab Up | G : Y | -40°C ~ 85°C | Reflow | B, C |
| ARJM11C7-502-AB-EW2 | 1000 Base-T | Tab Up | G : Y | -40°C ~ 85°C | Wave | A |
| ARJM11C7-502-KB-EW2 | 1000 Base-T | Tab Up | G/O : Y | -40°C ~ 85°C | Wave | A |
| ARJM11C7-502-NN-EW2 | 1000 Base-T | Tab Up | No LED | -40°C ~ 85°C | Wave | A |
| ARJM11D7-502-AB-EW2 | 1000 Base-T | Tab Up | G : Y | -40°C ~ 85°C | Wave | A |
| ARJM11D7-502-NN-EW2 | 1000 Base-T | Tab Up | No LED | -40°C ~ 85°C | Wave | A |

2.5 Base-T Standard Part Numbers

| Part Number | Speed | Tab Direction | LED (Left:Right) | Operating Temp | Solder Method | Pkg Format |
|---------------------|-------------|---------------|------------------|----------------|---------------|------------|
| ARJM11A1-805-AB-EW2 | 2.5G Base-T | Tab Down | G : Y | -40°C ~ 85°C | Wave | A |
| ARJM11B1-805-AB-EW2 | 2.5G Base-T | Tab Down | G : Y | -40°C ~ 85°C | Wave | A |
| ARJM11B1-805-KB-CW2 | 2.5G Base-T | Tab Down | G/O : Y | 0°C ~ 70°C | Wave | A |
| ARJM11B1-805-KB-EW2 | 2.5G Base-T | Tab Down | G/O : Y | -40°C ~ 85°C | Wave | A |
| ARJM11C7-809-AB-EW2 | 2.5G Base-T | Tab Up | G : Y | -40°C ~ 85°C | Wave | A |
| ARJM11D7-809-AB-EW2 | 2.5G Base-T | Tab Up | G : Y | -40°C ~ 85°C | Wave | A |

5G Base-T Standard Part Numbers

| Part Number | Speed | Tab Direction | LED (Left:Right) | Operating Temp | Solder Method | Pkg Format |
|---------------------|-----------|---------------|------------------|----------------|---------------|------------|
| ARJM11A1-811-AB-EW2 | 5G Base-T | Tab Down | G : Y | -40°C ~ 85°C | Wave | A |
| ARJM11B1-811-AB-EW2 | 5G Base-T | Tab Down | G : Y | -40°C ~ 85°C | Wave | A |
| ARJM11C7-811-AB-EW2 | 5G Base-T | Tab Up | G : Y | -40°C ~ 85°C | Wave | A |
| ARJM11D7-811-AB-EW2 | 5G Base-T | Tab Up | G : Y | -40°C ~ 85°C | Wave | A |



5101 Hidden Creek Ln Spicewood TX 78669
Phone: 512-371-6159 | Fax: 512-351-8858
For terms and conditions of sales, please visit:
www.abracon.com

REVISED: 01-21-20

ABRACON IS
ISO9001-2015
CERTIFIED

RJ45, Single Port, 10/100/1G/5G Base-T Magnetics Module



ARJM11 Series

Request Samples



Check Inventory



21.30 x 15.90 x 13.60mm
RoHS/RoHS II Compliant
MSL Level = 1

Materials

1. Housing:

Material:
PBT, UL94V-0
Standard Color: Black

2. Contact Pin:

Material: Phosphor Bronze
Plating (1): Nickel
Plating (2): 100%Sn

3. Insert:

Material:
PBT, UL94V-0

Contact Material: Phosphor Bronze
Plating (1): Nickel
Plating (2): Gold, 6u"

4. LED:

Material: Diffused Epoxy Lens, 0.5x0.5mm
Carbon Steel wireframe leads

5. Metal Shell:

Material: Brass
Plating (1): Nickel

Note: Abracon LLC will not alter any material composition, without prior written notification.

RJ45, Single Port, 10/100/1G/5G Base-T Magnetics Module



ARJM11 Series

Request Samples



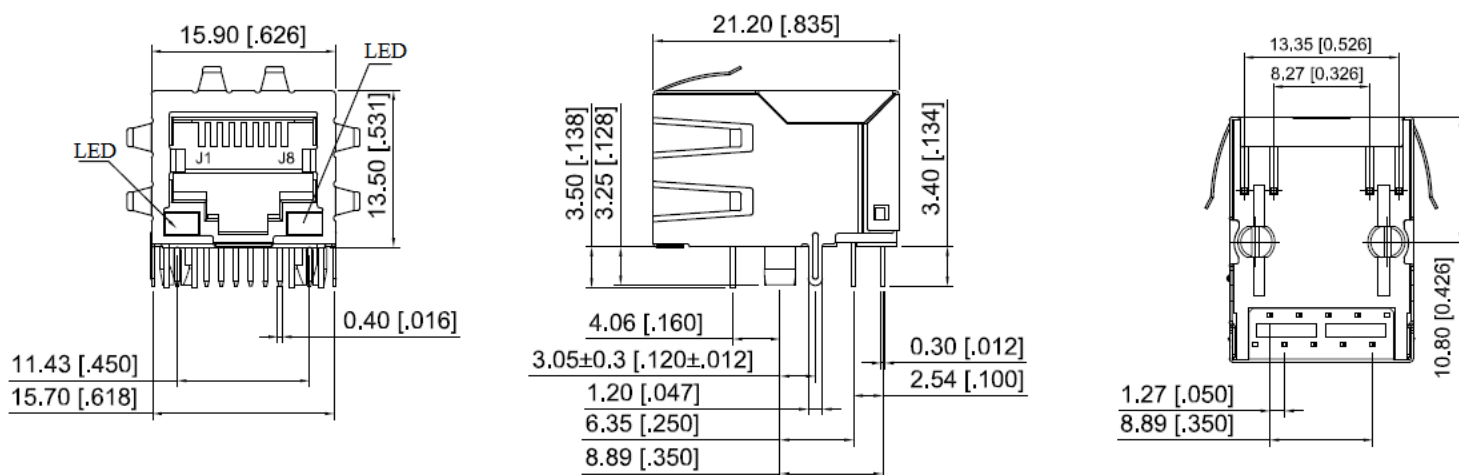
Check Inventory



21.30 x 15.90 x 13.60mm
 RoHS/RoHS II Compliant
 MSL Level = 1

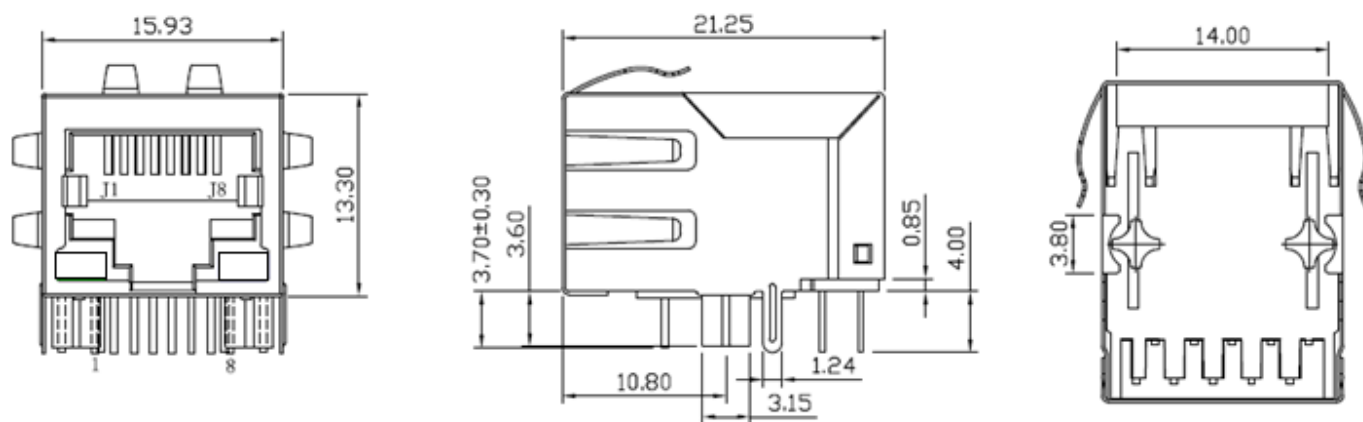
Mechanical Specifications

A: Tab Down, w/ EMI Fingers (Wave)



Dimensions: mm[inch] (Unless otherwise specified, all tolerances are ± 0.25 [0.010])

A: Tab Down, w/ EMI Fingers (Reflow)



Dimensions are in mm. Tolerances are ± 0.25 mm unless noted otherwise.



5101 Hidden Creek Ln Spicewood TX 78669
 Phone: 512-371-6159 | Fax: 512-351-8858
 For terms and conditions of sales, please visit:
www.abracon.com

REVISED: 01-21-20

ABRACON IS
 ISO9001-2015
 CERTIFIED

RJ45, Single Port, 10/100/1G/5G Base-T Magnetics Module



ARJM11 Series

Request Samples

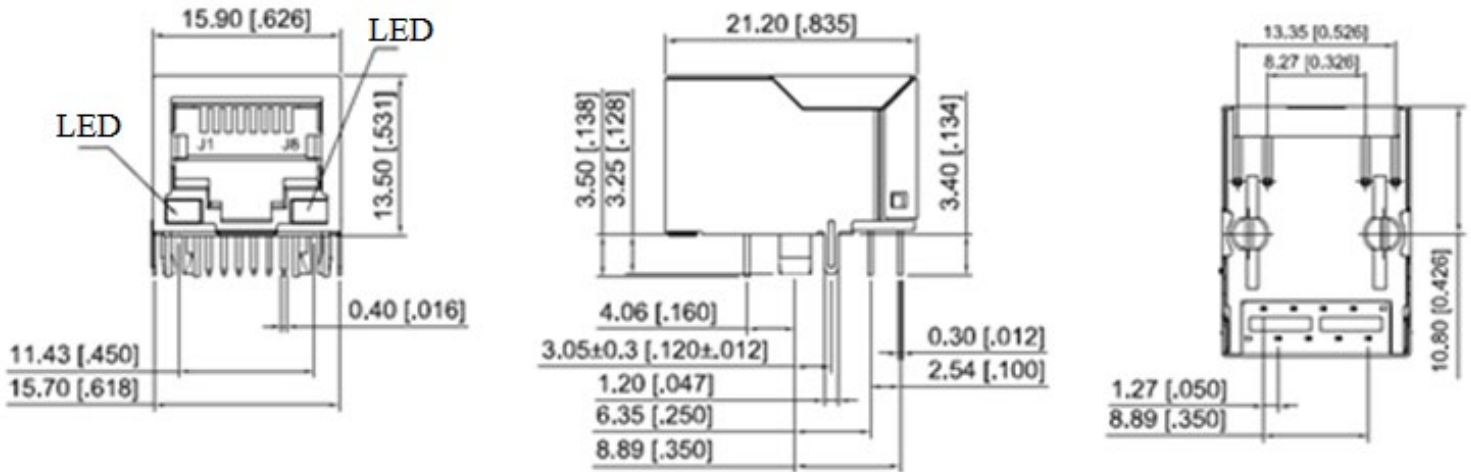


Check Inventory



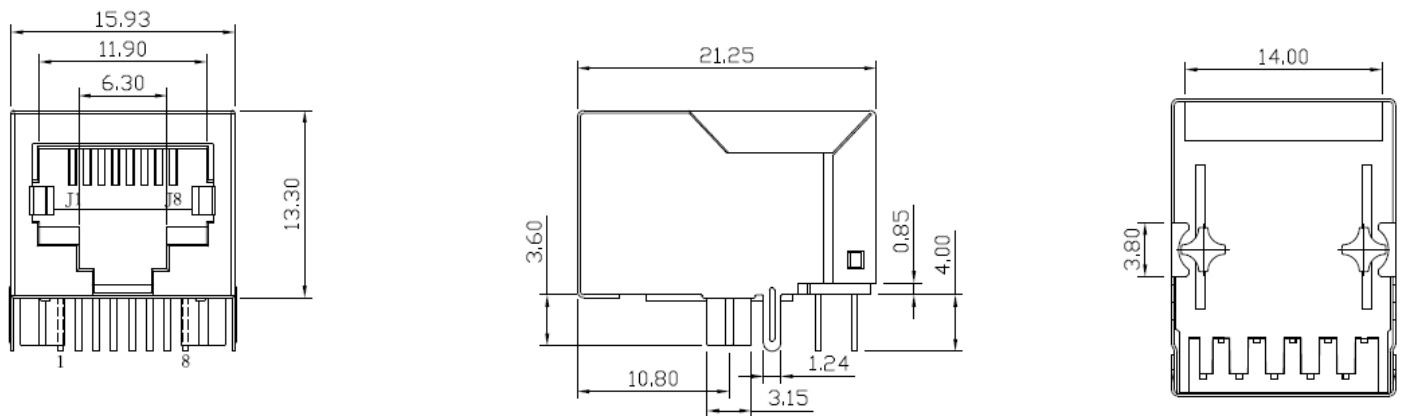
21.30 x 15.90 x 13.60mm
 RoHS/RoHS II Compliant
 MSL Level = 1

B: Tab Down, w/o EMI Fingers (Wave)



Dimensions: mm[inch] (Unless otherwise specified, all tolerances are ± 0.25 [0.010])

B: Tab Down, w/o EMI Fingers (Reflow)



Dimensions are in mm. Tolerances are ± 0.25 mm unless noted otherwise.



5101 Hidden Creek Ln Spicewood TX 78669
 Phone: 512-371-6159 | Fax: 512-351-8858
 For terms and conditions of sales, please visit:
www.abracon.com

REVISED: 01-21-20

ABRACON IS
 ISO9001-2015
 CERTIFIED

RJ45, Single Port, 10/100/1G/5G Base-T Magnetics Module



ARJM11 Series

Request Samples

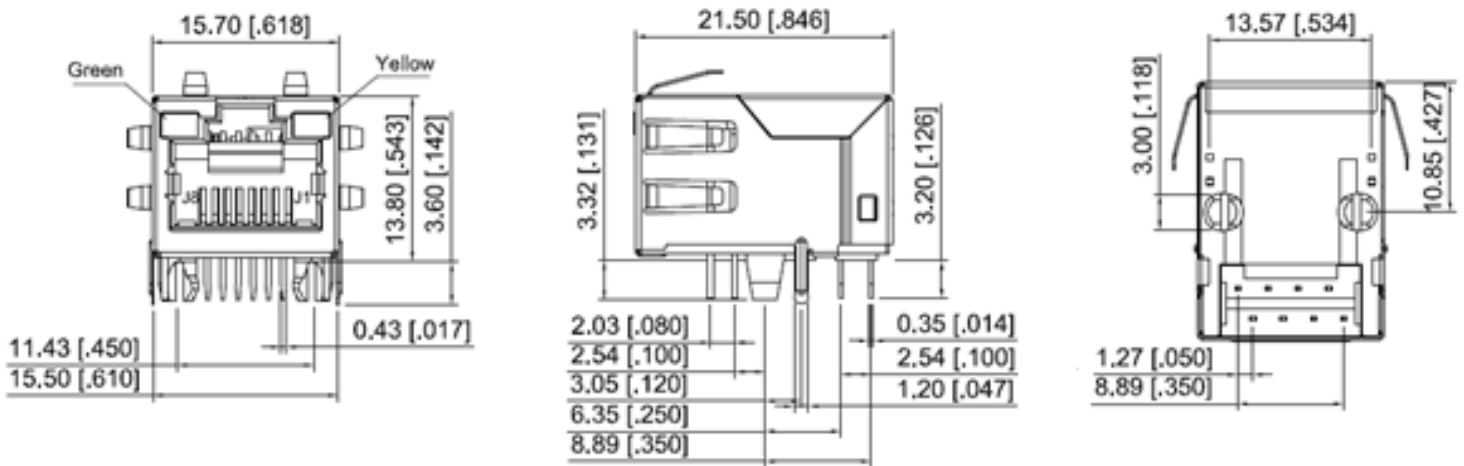


Check Inventory



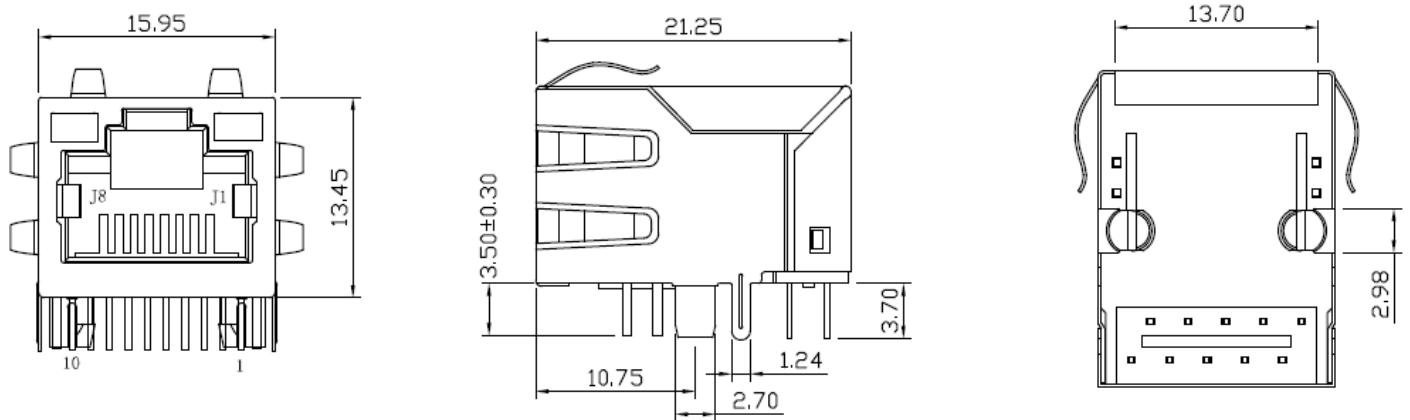
21.30 x 15.90 x 13.60mm
 RoHS/RoHS II Compliant
 MSL Level = 1

C: Tab Up, w/ EMI Fingers (Wave)



Dimensions: mm[inch] (Unless otherwise specified, all tolerances are $\pm 0.25[0.010]$)

C: Tab Up, w/ EMI Fingers (Reflow)



Dimensions are in mm. Tolerances are ± 0.25 mm unless noted otherwise.



5101 Hidden Creek Ln Spicewood TX 78669
 Phone: 512-371-6159 | Fax: 512-351-8858
 For terms and conditions of sales, please visit:
www.abracon.com

REVISED: 01-21-20

ABRACON IS
 ISO9001-2015
 CERTIFIED

RJ45, Single Port, 10/100/1G/5G Base-T Magnetics Module



ARJM11 Series

Request Samples

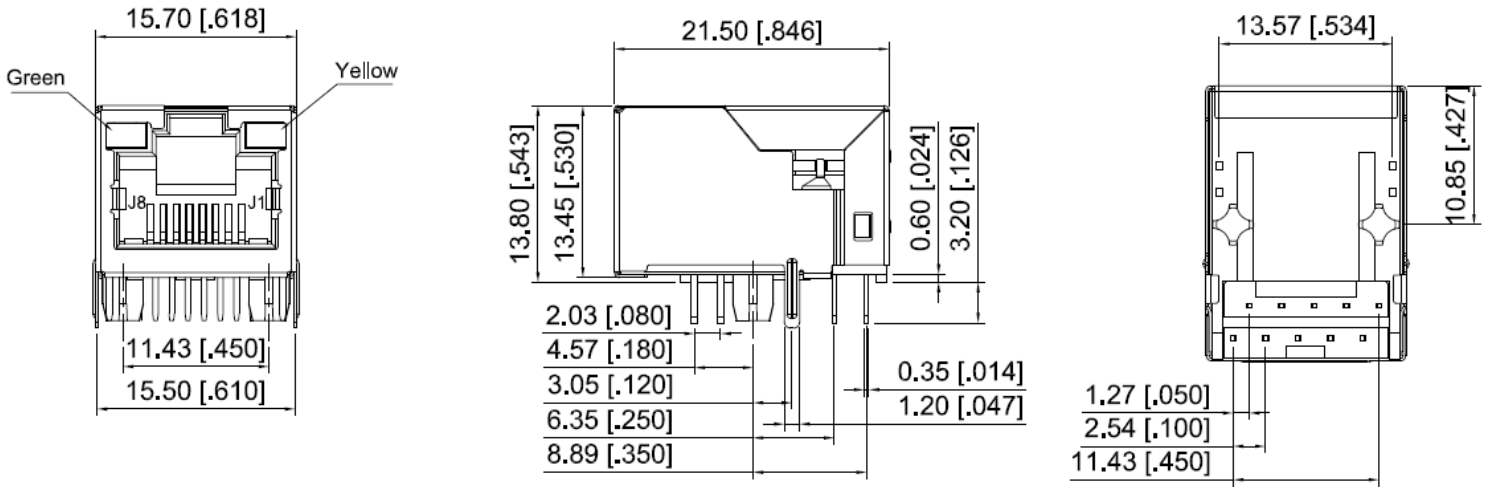


Check Inventory



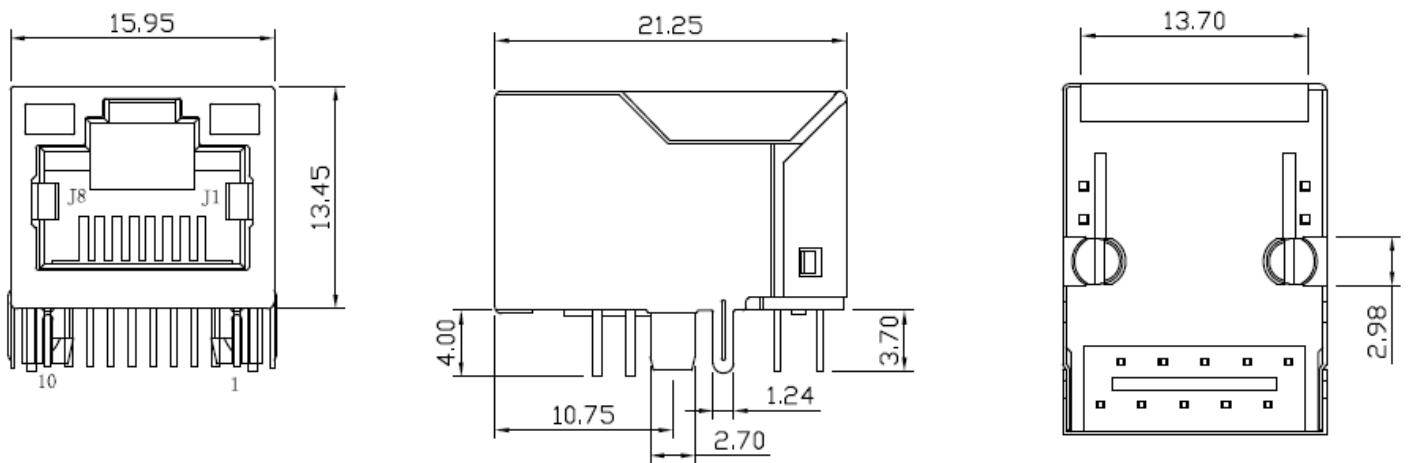
21.30 x 15.90 x 13.60mm
RoHS/RoHS II Compliant
MSL Level = 1

D: Tab Up, w/o EMI Fingers (Wave)



Dimensions: mm[inch] (Unless otherwise specified, all tolerances are ± 0.25 [0.010])

D: Tab Up, w/o EMI Fingers (Reflow)



Dimensions are in mm. Tolerances are ± 0.25 mm unless noted otherwise.



5101 Hidden Creek Ln Spicewood TX 78669
 Phone: 512-371-6159 | Fax: 512-351-8858
 For terms and conditions of sales, please visit:
www.abracon.com

REVISED: 01-21-20

ABRACON IS
 ISO9001-2015
 CERTIFIED

RJ45, Single Port, 10/100/1G/5G Base-T Magnetics Module



ARJM11 Series

Request Samples



Check Inventory

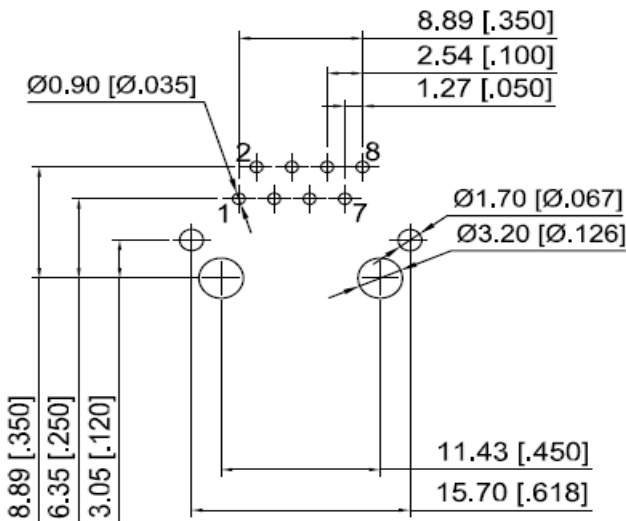


21.30 x 15.90 x 13.60mm
 RoHS/RoHS II Compliant
 MSL Level = 1

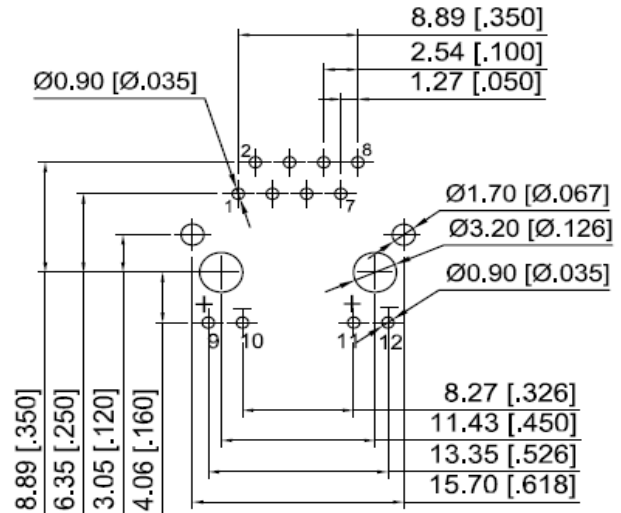
Recommended Layout

Pin Layout = 1 (Horizontal LEDs/ No LEDs)

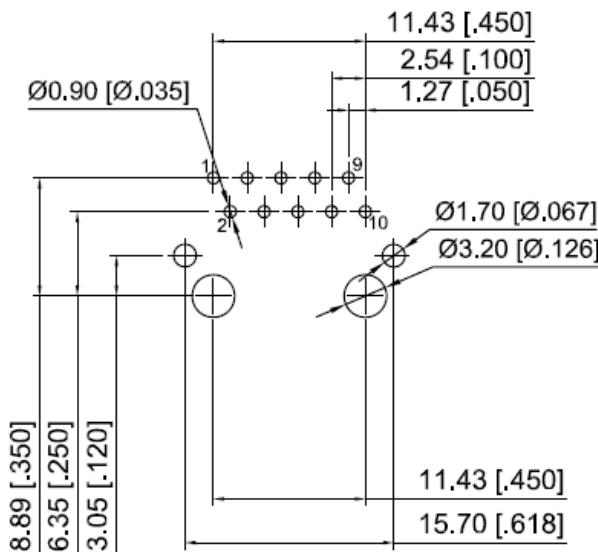
8 Pins, no LED
 For 100 Base-T



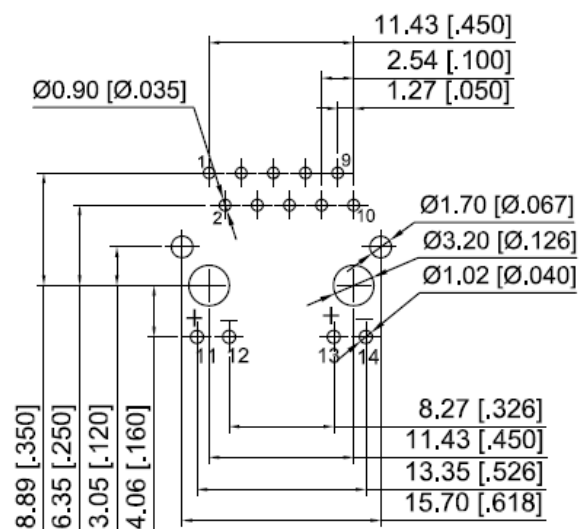
8 Pins, w/ LED
 For 100 Base-T



10 Pins, no LED
 For 100 PoE/1000/2.5G/5G Base-T



10 Pins, w/ LED
 For 100 PoE/1000/2.5G/5G Base-T



Dimensions: mm[inch] Layout tolerances are ±0.05[0.002]mm unless noted otherwise.



5101 Hidden Creek Ln Spicewood TX 78669
 Phone: 512-371-6159 | Fax: 512-351-8858
 For terms and conditions of sales, please visit:
www.abracon.com

REVISED: 01-21-20

ABRACON IS
 ISO9001-2015
 CERTIFIED

RJ45, Single Port, 10/100/1G/5G Base-T Magnetics Module



ARJM11 Series

Request Samples



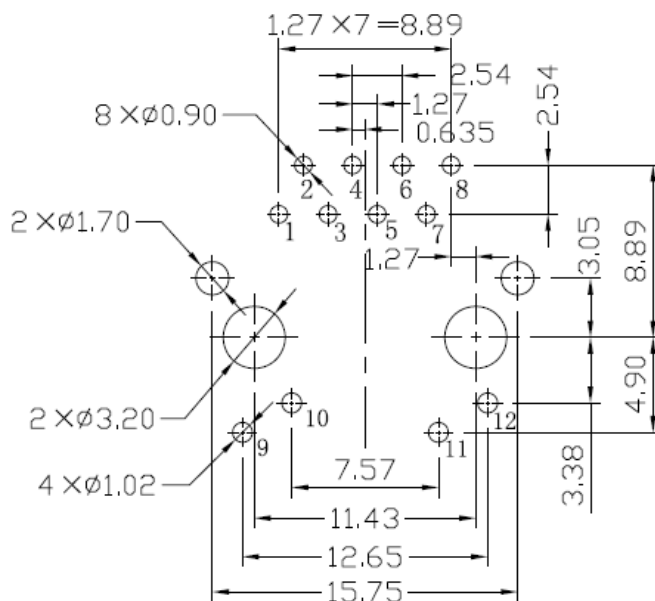
Check Inventory



21.30 x 15.90 x 13.60mm
RoHS/RoHS II Compliant
MSL Level = 1

Pin Layout = 3 (diagonal LEDs)

8 Pins, w/ LEDs
For 100 Base-T



Suggested PCB Layout (Top View)

Dimensions: mm. Layout tolerances are ± 0.05 mm unless noted otherwise.



5101 Hidden Creek Ln Spicewood TX 78669
Phone: 512-371-6159 | Fax: 512-351-8858
For terms and conditions of sales, please visit:
www.abracon.com

REVISED: 01-21-20

ABRACON IS
ISO9001-2015
CERTIFIED

RJ45, Single Port, 10/100/1G/5G Base-T Magnetics Module



ARJM11 Series

Request Samples



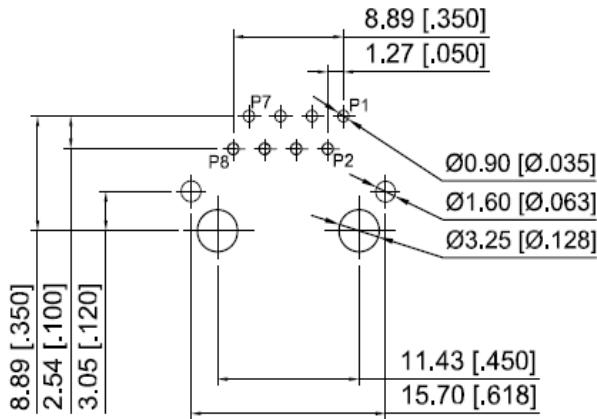
Check Inventory



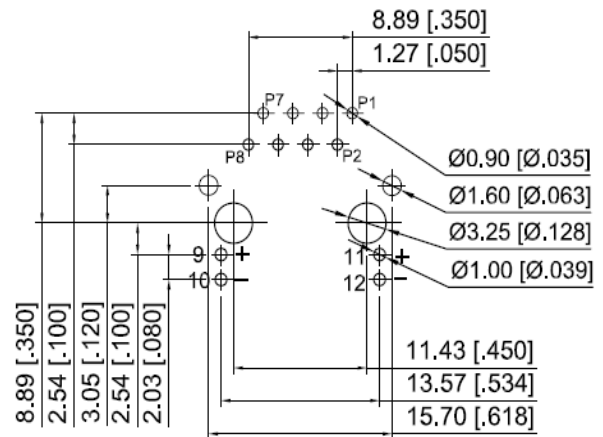
21.30 x 15.90 x 13.60mm
RoHS/RoHS II Compliant
 MSL Level = 1

Pin Layout = 7 (Vertical LEDs/ No LEDs)

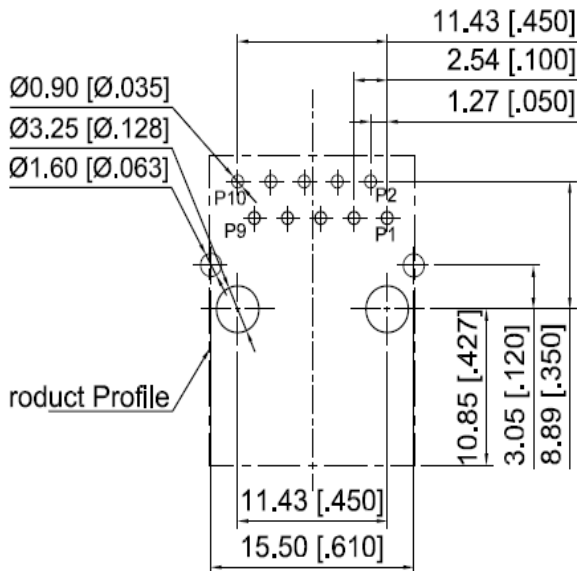
8 Pins, no LED
For 100 Base-T



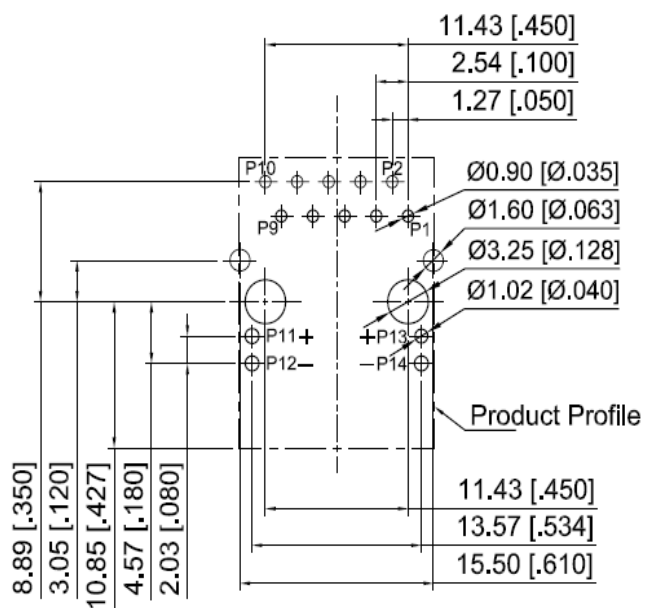
8 Pins, w/ LED
For 100 Base-T



10 Pins, no LED
For 100/1000/2.5G/5G Base-T



10 Pins, w/ LED
For 100/1000/2.5G/5G Base-T



Dimensions: mm. Layout tolerances are ±0.05mm unless noted otherwise.



5101 Hidden Creek Ln Spicewood TX 78669
 Phone: 512-371-6159 | Fax: 512-351-8858
 For terms and conditions of sales, please visit:
www.abracon.com

REVISED: 01-21-20

ABRACON IS
 ISO9001-2015
 CERTIFIED

RJ45, Single Port, 10/100/1G/5G Base-T Magnetics Module



ARJM11 Series

Request Samples

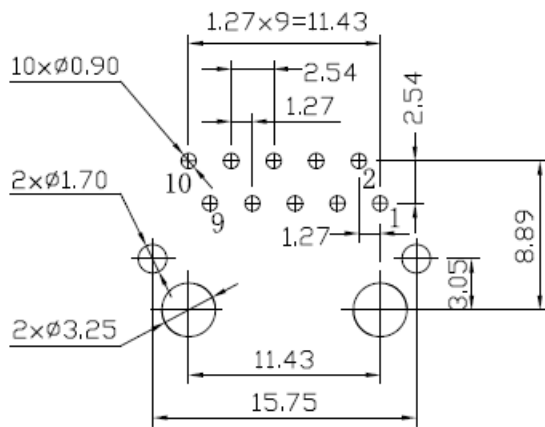


Check Inventory

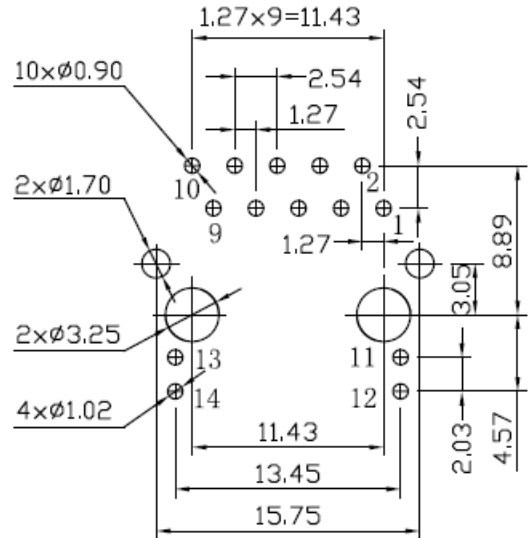


21.30 x 15.90 x 13.60mm
RoHS/RoHS II Compliant
MSL Level = 1

10 Pins, no LED
For 100 Base-T w/ POE, POE+



10 Pins, w/ LED
For 100 Base-T w/ POE, POE+



Dimensions are in mm. Layout tolerances are ± 0.05 mm unless noted otherwise.



5101 Hidden Creek Ln Spicewood TX 78669
Phone: 512-371-6159 | Fax: 512-351-8858
For terms and conditions of sales, please visit:
www.abracon.com

REVISED: 01-21-20

ABRACON IS
ISO9001-2015
CERTIFIED

RJ45, Single Port, 10/100/1G/5G Base-T Magnetics Module



ARJM11 Series

Request Samples



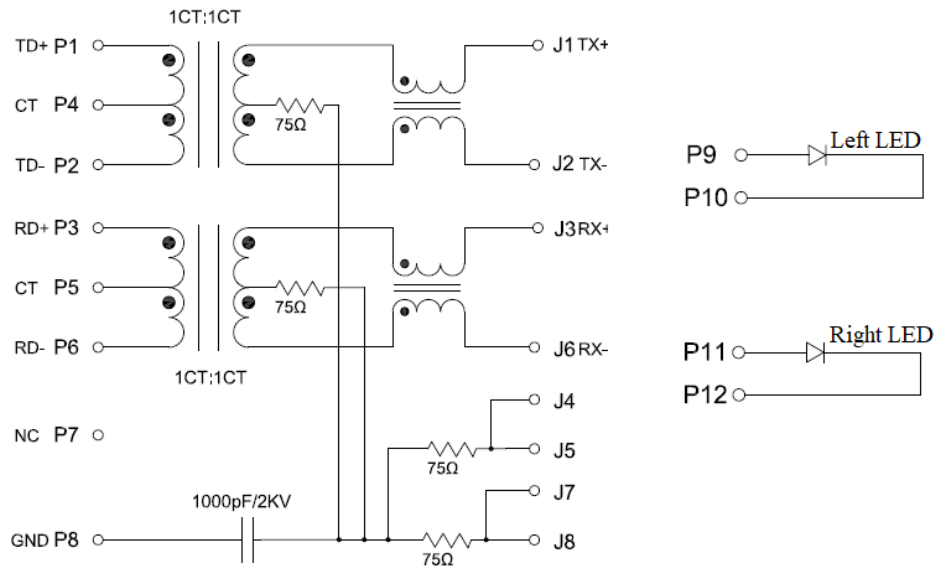
Check Inventory



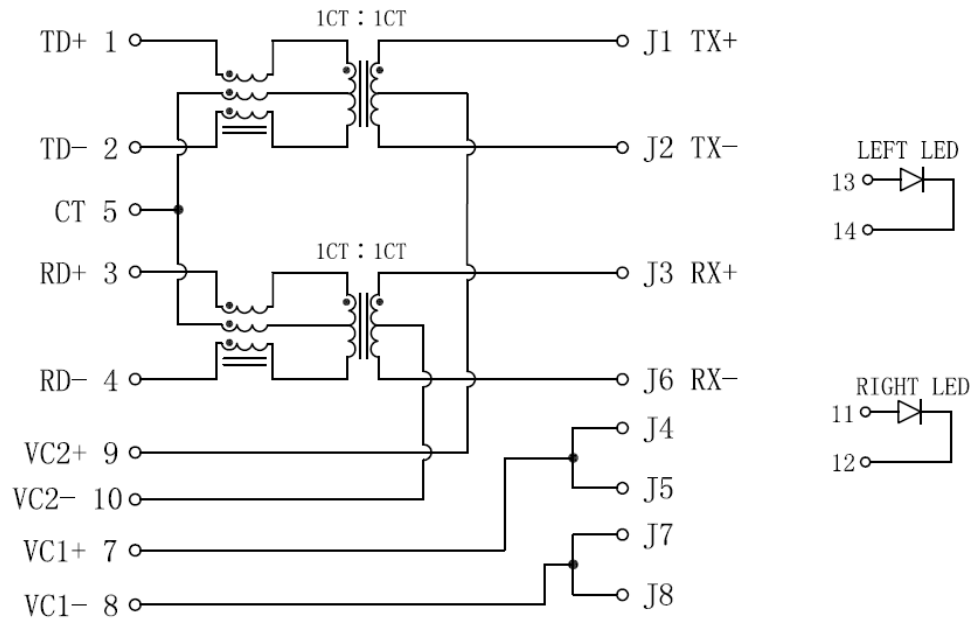
21.30 x 15.90 x 13.60mm
 RoHS/RoHS II Compliant
 MSL Level = 1

Schematic

009 (100 Base-T)



104 (100 Base-T & PoE+)



5101 Hidden Creek Ln Spicewood TX 78669
 Phone: 512-371-6159 | Fax: 512-351-8858
 For terms and conditions of sales, please visit:
www.abracon.com

REVISED: 01-21-20

ABRACON IS
 ISO9001-2015
 CERTIFIED

RJ45, Single Port, 10/100/1G/5G Base-T Magnetics Module



ARJM11 Series

Request Samples

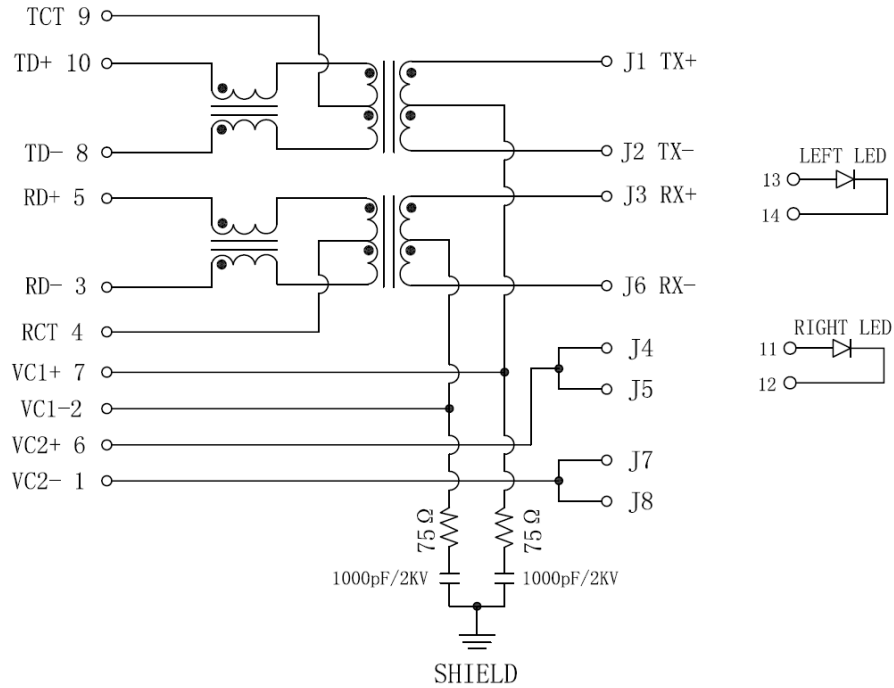


Check Inventory

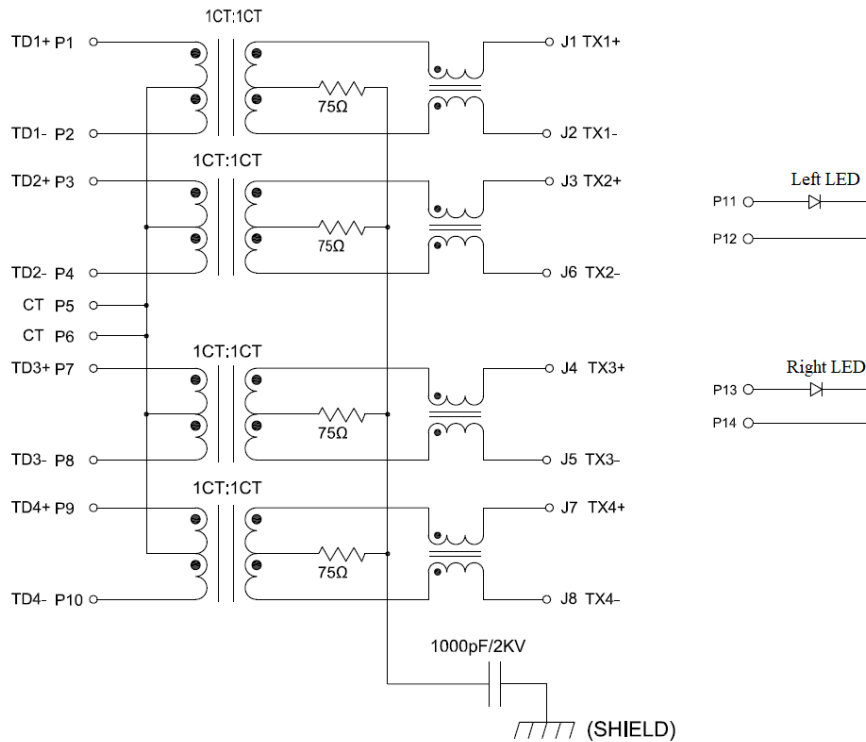


21.30 x 15.90 x 13.60mm
RoHS/RoHS II Compliant
MSL Level = 1

114 (100 Base-T & PoE)



502 (1000 Base-T)



5101 Hidden Creek Ln Spicewood TX 78669
 Phone: 512-371-6159 | Fax: 512-351-8858
 For terms and conditions of sales, please visit:
www.abracon.com

REVISED: 01-21-20

ABRACON IS
 ISO9001-2015
 CERTIFIED

RJ45, Single Port, 10/100/1G/5G Base-T Magnetics Module



ARJM11 Series

Request Samples

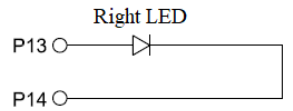
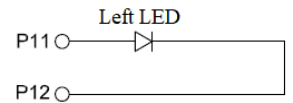
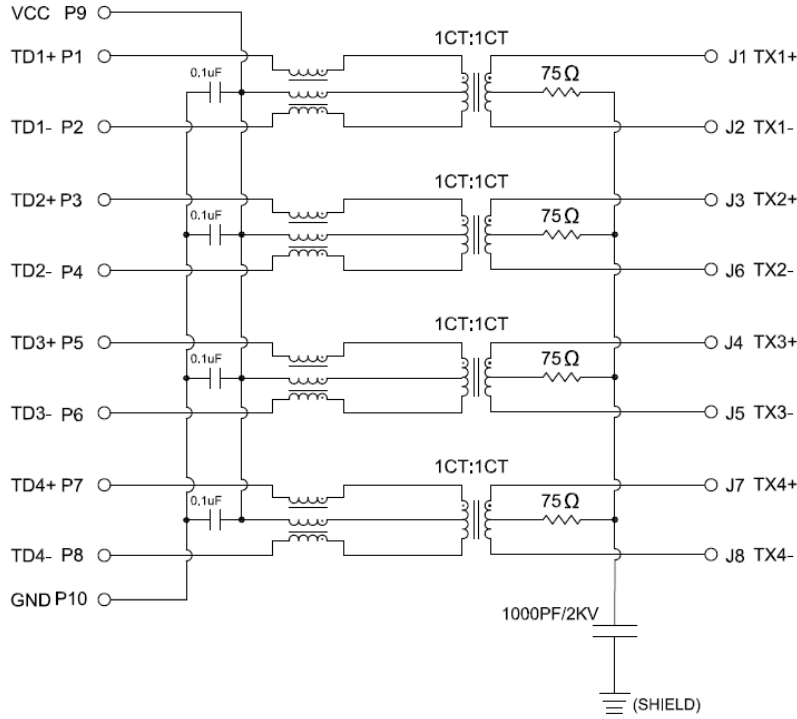


Check Inventory

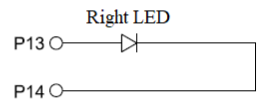
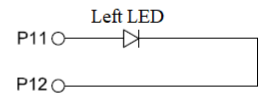
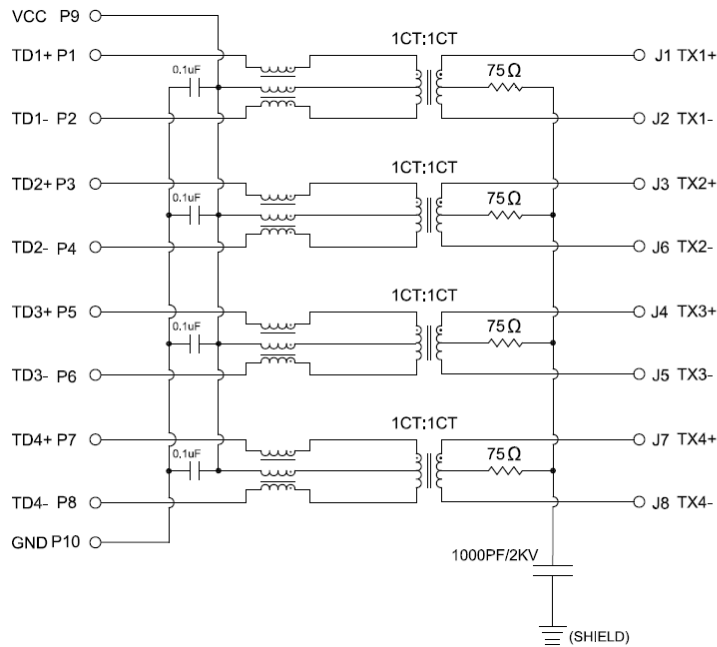


21.30 x 15.90 x 13.60mm
RoHS/RoHS II Compliant
MSL Level = 1

805 (2.5G Base-T)



809 (2.5G Base-T)
 811 (5G Base-T)



5101 Hidden Creek Ln Spicewood TX 78669
 Phone: 512-371-6159 | Fax: 512-351-8858
 For terms and conditions of sales, please visit:
www.abracon.com

REVISED: 01-21-20

ABRACON IS
 ISO9001-2015
 CERTIFIED

RJ45, Single Port, 10/100/1G/5G Base-T Magnetics Module



ARJM11 Series

Request Samples



Check Inventory



21.30 x 15.90 x 13.60mm
RoHS/RoHS II Compliant
MSL Level = 1

LED SPECIFICATIONS FOR ALL SCHEMATICS

20mA Forward Current

| Color | Green | Yellow | Orange |
|-----------------|-----------|-----------|-----------|
| Wavelength | 565nm Typ | 585nm Typ | 605nm Typ |
| Forward Voltage | 2.2V Typ | 2.1V Typ | 2.1V Typ |

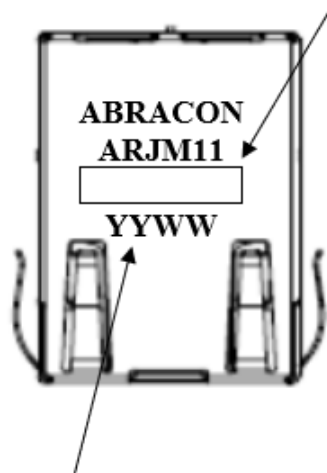
Device Marking

Part number excluding packaging characters “-T”

XX-XXX-XX-XXX

e.g.

A1-009-AB-EW2



YY: Year: E.g. 21 for 2021

WW: Week: E.g. 05 for the 5th week of the year.



5101 Hidden Creek Ln Spicewood TX 78669
Phone: 512-371-6159 | Fax: 512-351-8858
For terms and conditions of sales, please visit:
www.abracon.com

REVISED: 01-21-21

ABRACON IS
ISO9001-2015
CERTIFIED

RJ45, Single Port, 10/100/1G/5G Base-T Magnetics Module



ARJM11 Series

Request Samples



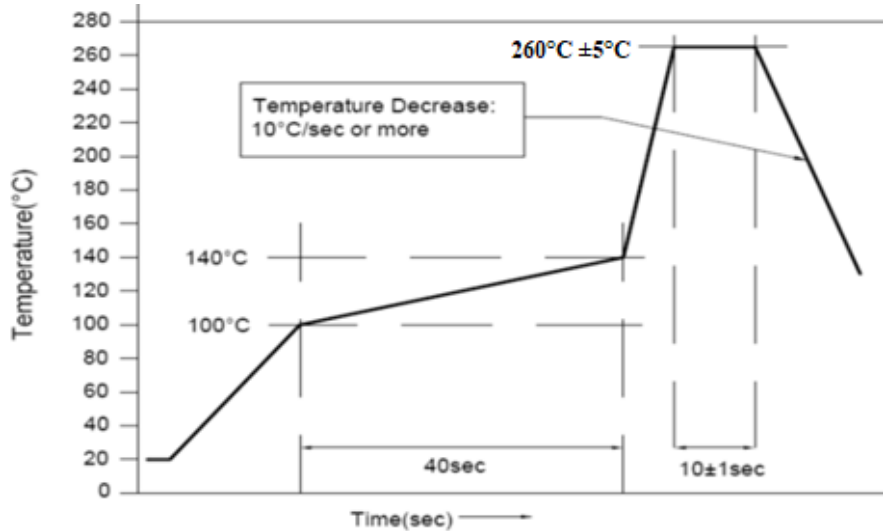
Check Inventory



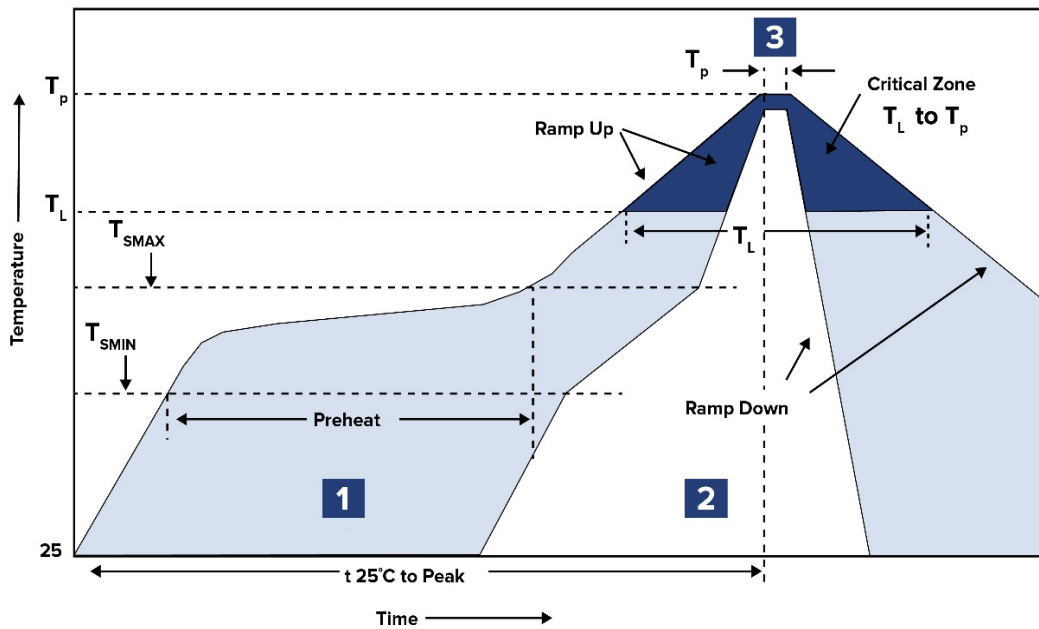
21.30 x 15.90 x 13.60mm
RoHS/RoHS II Compliant
 MSL Level = 1

Soldering Profile

Wave Method



Reflow Method



| Zone | Description | Temperature | Times |
|------|-------------|---|----------------|
| 1 | Preheat | $T_{SMIN} \sim T_{SMAX} = 150^{\circ}\text{C} \sim 180^{\circ}\text{C}$ | 120 ~ 180 sec. |
| 2 | Reflow | $T_L = 217^{\circ}\text{C}$ | 60 ~ 150 sec. |
| 3 | Peak heat | $T_P = 260^{\circ}\text{C} \pm 5^{\circ}\text{C}$ | 10 sec. MAX |



5101 Hidden Creek Ln Spicewood TX 78669
 Phone: 512-371-6159 | Fax: 512-351-8858
 For terms and conditions of sales, please visit:
www.abracon.com

REVISED: 01-21-20

ABRACON IS
 ISO9001-2015
 CERTIFIED

RJ45, Single Port, 10/100/1G/5G Base-T Magnetics Module



ARJM11 Series

Request Samples



Check Inventory



21.30 x 15.90 x 13.60mm
RoHS/RoHS II Compliant
MSL Level = 1

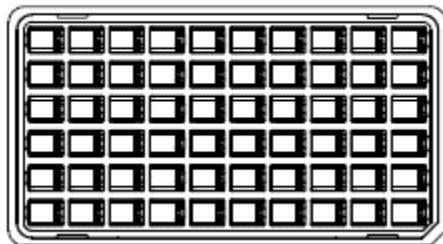
Packaging

Bulk/Tray (50pcs/tray)

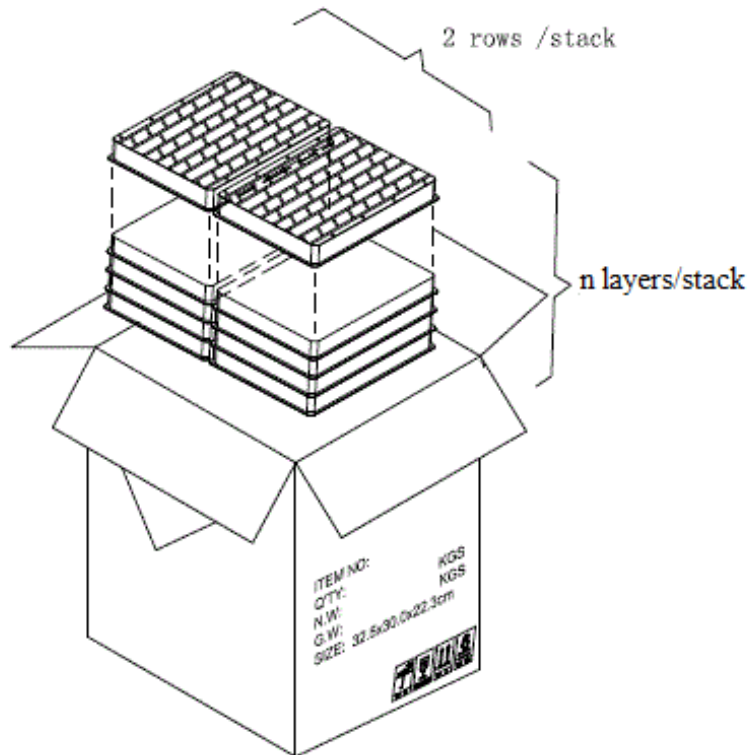
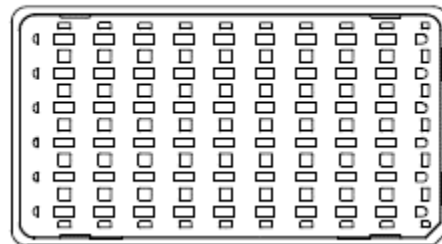
Format A – 40 trays/carton, Weight: 5.7g/pc, Carton Gross Weight: 15.2Kg

Format B – 24 trays/carton, Weight: 5.7g/pc, Carton Gross Weight: 9.0Kg

Bottom Tray



Top Tray



5101 Hidden Creek Ln Spicewood TX 78669
Phone: 512-371-6159 | Fax: 512-351-8858
For terms and conditions of sales, please visit:
www.abracon.com

REVISED: 01-21-21

ABRACON IS
ISO9001-2015
CERTIFIED

RJ45, Single Port, 10/100/1G/5G Base-T Magnetics Module



ARJM11 Series

Request Samples



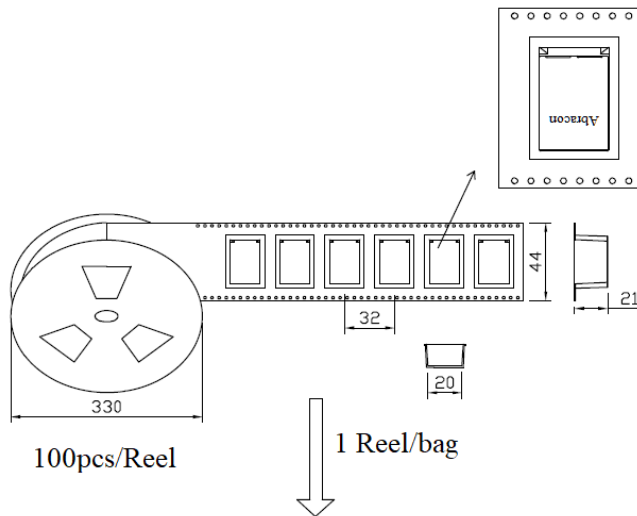
Check Inventory



21.30 x 15.90 x 13.60mm
RoHS/RoHS II Compliant
MSL Level = 1

Tape & Reel (100pcs/reel)

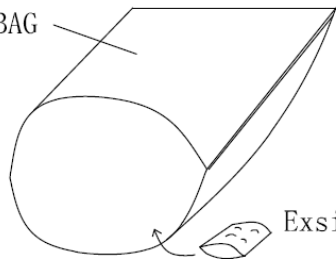
Format C – 6 Reels/carton, Weight: 5.7g/pc, Carton Gross Weight: 7.0Kg



100pcs/Reel

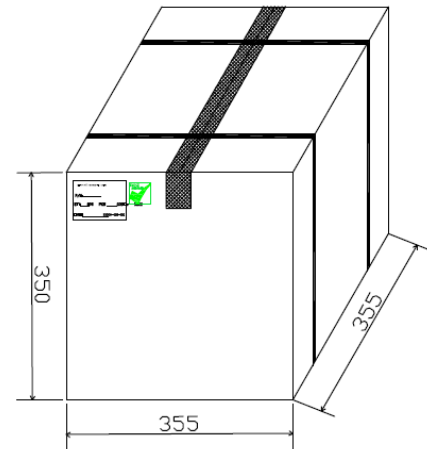
1 Reel/bag

PE BAG



Exsiccaters

6 Bags



Dimensions: mm

ATTENTION: Abracon LLC's products are COTS – Commercial-Off-The-Shelf products; suitable for Commercial, Industrial and, where designated, Automotive Applications. Abracon's products are not specifically designed for Military, Aviation, Aerospace, Life-dependent Medical applications or any application requiring high reliability where component failure could result in loss of life and/or property. For applications requiring high reliability and/or presenting an extreme operating environment, written consent and authorization from Abracon LLC is required. Please contact Abracon LLC for more information.



5101 Hidden Creek Ln Spicewood TX 78669
Phone: 512-371-6159 | Fax: 512-351-8858
For terms and conditions of sales, please visit:
www.abracon.com

REVISED: 01-21-21

ABRACON IS
ISO9001-2015
CERTIFIED

X-ON Electronics

Largest Supplier of Electrical and Electronic Components

Click to view similar products for [Modular Connectors](#) / [Ethernet Connectors](#) category:

Click to view products by [ABRACON](#) manufacturer:

Other Similar products are found below :

[8949-H88/06BLKA/SN](#) [74441-0010/BKN](#) [MP1010RX-1000](#) [MP44RX-1000](#) [PHP-6P6C-5](#) [GAX-3-66](#) [GAX-8-62](#) [GDCX-PA-66-50](#) [GDCX-PN-64](#) [GDCX-PN-66](#) [GDCX-PN-66-50](#) [GDLX-A-66](#) [GDLX-N-66](#) [GDLX-S-66](#) [GDLX-S-88K](#) [GDTX-S-88-50](#) [GDX-PA-1010](#) [GLX-N-1010M-BLK](#) [GLX-S-88M-BLK](#) [GMX-N-1010](#) [GMX-S-1010](#) [GMX-S-66](#) [GMX-SMT4-N-88](#) [GPX-2-64](#) [GSGX-N-2-88](#) [GSGX-N-4-88](#) [GSX-NS2-88-3.05](#) [GSX-NS2-88-3.05-50](#) [GSX-NS-88-3.05-50](#) [PT-108A-8C-UL](#) [PT-J951-8C](#) [PTS-J531-8CS-50UL](#) [1-1775629-2](#) [A-2014-0-4](#) [GWLX-S-88-GR](#) [GWLX-S9-88-YG](#) [DC-1021-8-WH-6](#) [1300530003](#) [1324640-4](#) [RJ11FTVC2G](#) [RJ11FTVC2N](#) [RJFTVX2SA1G](#) [132764-001](#) [1413235](#) [MP88X-1000](#) [MPS88RX-5000](#) [E5288-S000K3-L](#) [E5908-15A242-L](#) [155302-001](#) [AX100653](#)