

# RJ45 Dual Port 10GBase-T Magnetic Module



ARJM21A-J3752ZZEWCB

41.1 x 17.0 x 27.1 mm  
RoHS/RoHS II Compliant  
MSL = 1

## Features

- Dual Port RJ45 with Magnetics
- Supports speed up to 10 Gbps
- Operating temperature range up to 0°C to +70°C
- Different Gold plating options
- Compatible with major IC's for Ethernet applications
- High performance magnetics for EMI suppression and common mode noise rejection
- 1CT:1CT TX and RX Transformers

## Applications

- Fast and gigabit Ethernet
- Hubs, Servers, Switches, Routers, Access points
- IP cameras, surveillance, and phone
- Industrial computers and robotics
- Networking and communications
- Broadcast video
- Set top box
- Test and Measurement

## Electrical Specifications

Parameters	Minimum	Typical	Maximum	Units	Notes
Inductance	180			μH	100 kHz, 0.1V with 0 mA DC Bias
Leakage Inductance			0.4	μH	100 kHz, 0.1V
DC Resistance			1.0	Ω	
Hipot	2250			VDC	60 s
Insertion Loss			3.0	dB	100 kHz
		1.4	2.0		1-400 MHz
Return Loss	22			dB	1-100 MHz
	22-20.75log(*f/100)				100-500 MHz
Crosstalk	28			dB	1-100 MHz
	19				100-500 MHz
CMR	30			dB	1-40 MHz
	28				40-100 MHz
	26				100-500 MHz
DCR	30			dB	1-250 MHz
	22				250-500 MHz
Turn Ratio	1CT : 1CT				± 2%

\*f represents the test frequency specified in MHz

# RJ45 Dual Port 10GBase-T Magnetic Module



ARJM21A-J3752ZZEWCB

41.1 x 17.0 x 27.1 mm  
RoHS/RoHS II Compliant  
MSL = 1

## Material Specifications

Parameter	Specification	
Housing	Material	Glass Filled PA6T, Black
	Flammability Rating	UL94V-0 (RoHS)
Contact	Material	Phosphor Bronze, 50-100 u" (min)
	Plating (1)	Nickel
	Plating (2)	**Gold, 50 u"
Shield	Material	Copper Alloy, 0.2mm
Jack Cavity	In conformance with the FCC Rules and Regulations Part 68 Subpart F	

\*For alternative Gold plating thickness, please contact ABRACON.

## Environmental Specifications

Parameters	Specification
RoHS	RoHS Compliant
MSL	1
Operating Temperature	0 °C to +70 °C
Storage Temperature	-40 °C to +85 °C

# RJ45 Dual Port 10GBase-T Magnetic Module

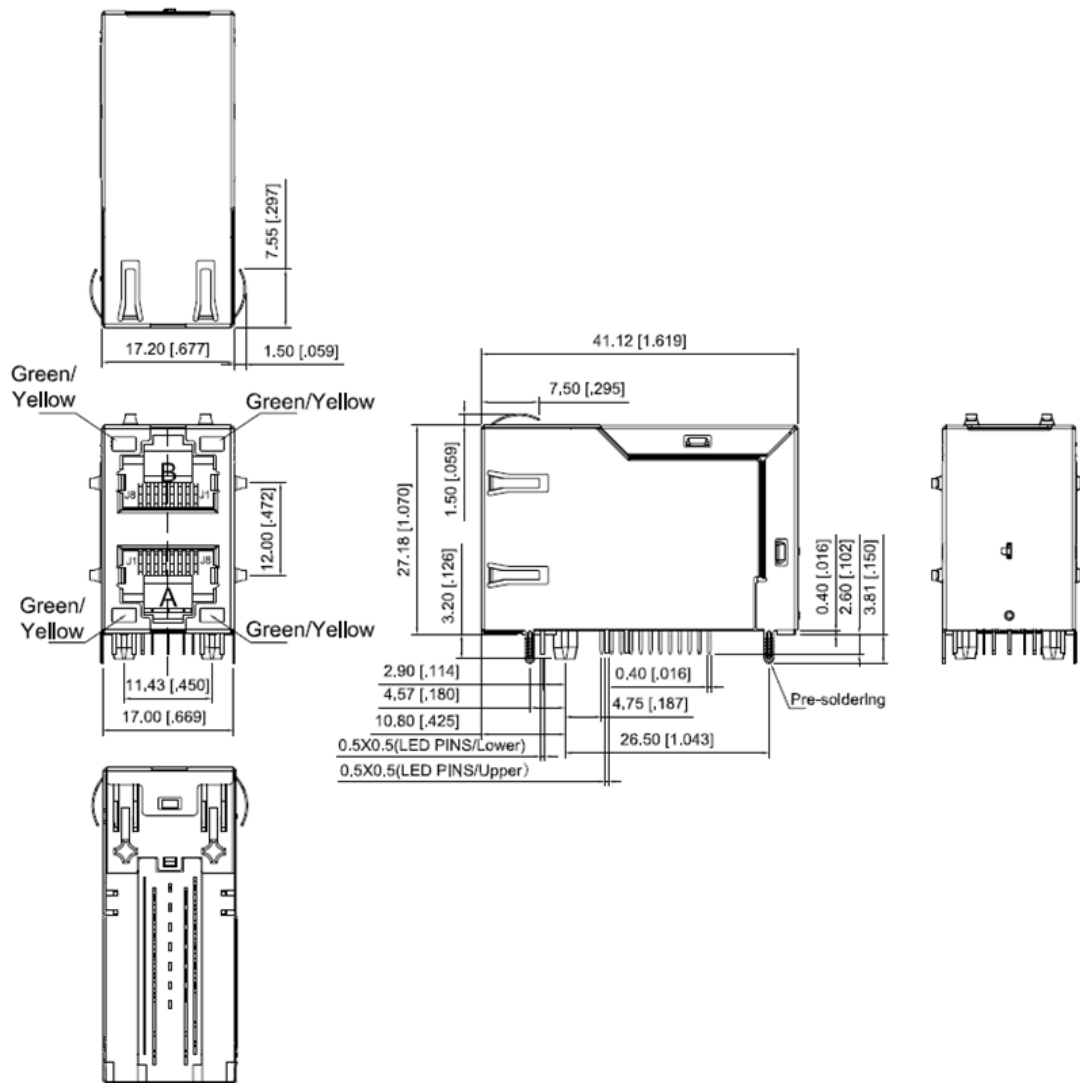


ARJM21A-J3752ZZEWCB

41.1 x 17.0 x 27.1 mm  
RoHS/RoHS II Compliant  
MSL = 1

## Mechanical Dimensions

W Shield, W EMI Fingers, Tab UP/DOWN



Dimensions: mm[inch]  
(Unless otherwise specified, all tolerances are  $\pm 0.25$ [0.010])

# RJ45 Dual Port 10GBase-T Magnetic Module

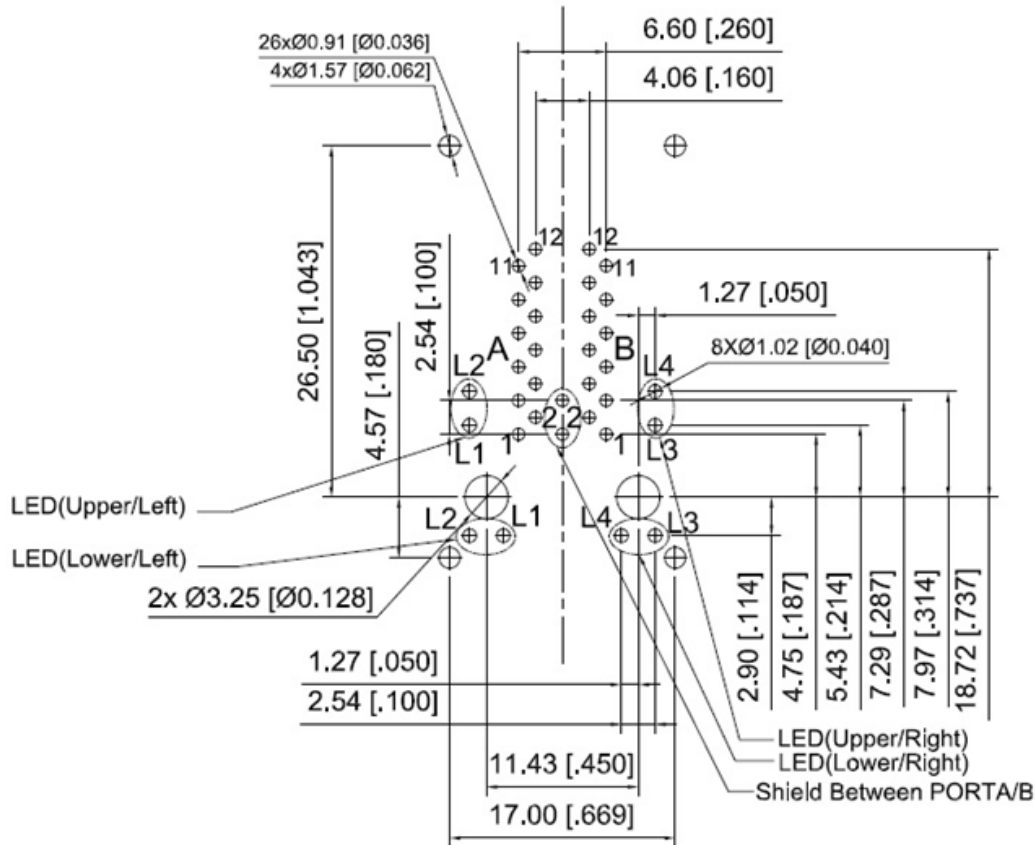


ARJM21A-J3752ZZEWCB

41.1 x 17.0 x 27.1 mm  
RoHS/RoHS II Compliant  
MSL = 1

## Mechanical Dimensions

### Pin Layout



Dimensions: mm[inch]  
(Unless otherwise specified, all tolerances are  $\pm 0.05$ [0.002])

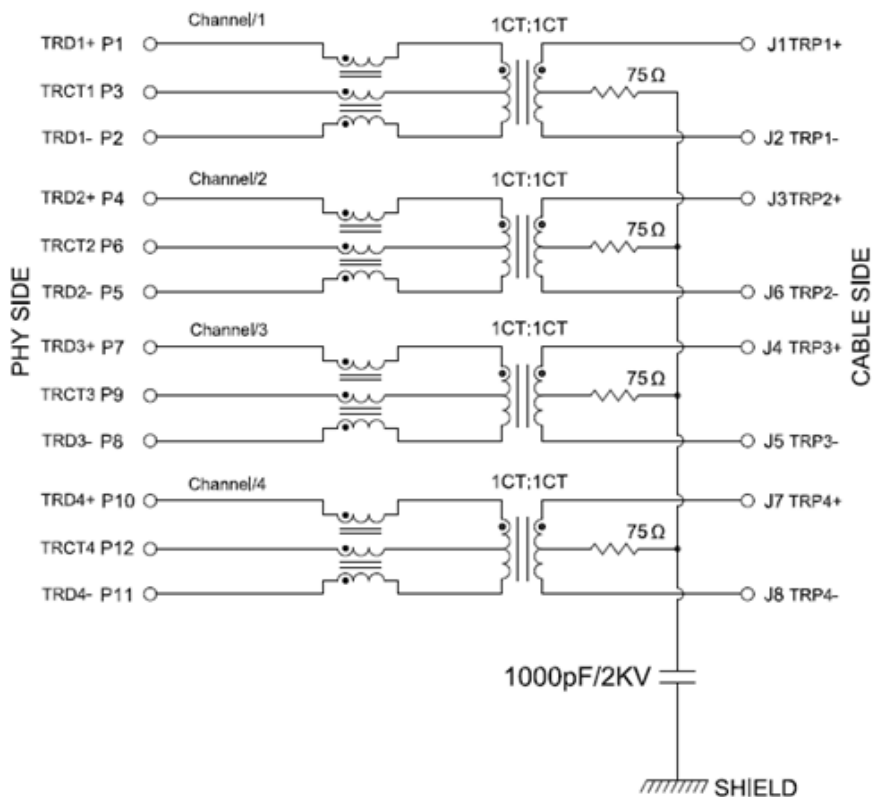
# RJ45 Dual Port 10GBase-T Magnetic Module



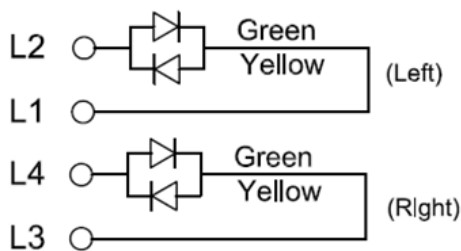
ARJM21A-J3752ZZEWCB

41.1 x 17.0 x 27.1 mm  
RoHS/RoHS II Compliant  
MSL = 1

## Schematic



## LED Specification. @ 20mA Forward Current



LED Color	Wavelength	Forward Voltage	
		Typ.	Max.
Green	565 nm	2.2 V	2.4 V
Yellow	590 nm	2.1 V	2.5 V

\*For alternative LED colors, please contact ABRACON.

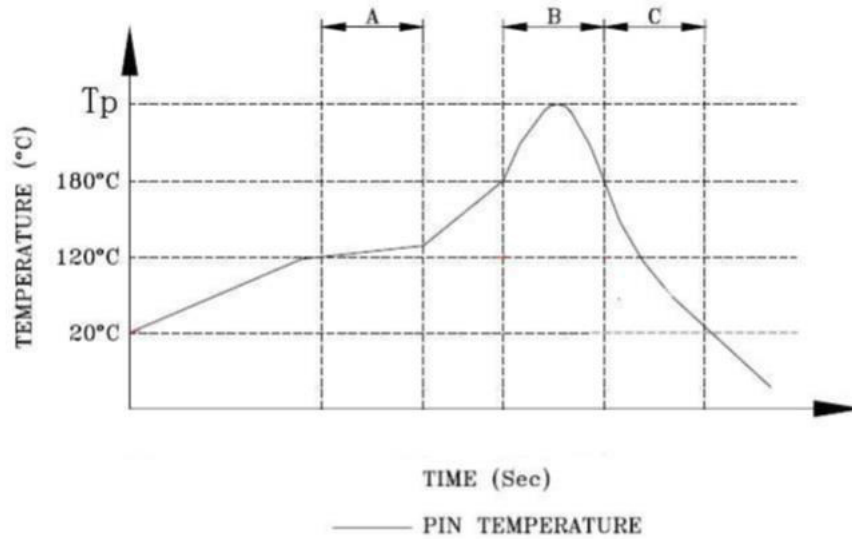
# RJ45 Dual Port 10GBase-T Magnetic Module



ARJM21A-J3752ZZEWCB

41.1 x 17.0 x 27.1 mm  
RoHS/RoHS II Compliant  
MSL = 1

## Wave Soldering Profile



Peak Temperature ( $T_p$ ) = 260 °C (max)

Peak Time ( $t_p$ ) = 10 s (max)

## Packaging

Pieces per Tray: 20

Pieces per Carton: 60

Weight of a Carton: 2.5 Kg

Dimension of the Carton: 360 x 210 x 175 mm

**ATTENTION:** Abracon LLC's products are COTS – Commercial-Off-The-Shelf products; suitable for Commercial, Industrial and, where designated, Automotive Applications. Abracon's products are not specifically designed for Military, Aviation, Aerospace, Life-dependent Medical applications or any application requiring high reliability where component failure could result in loss of life and/or property. For applications requiring high reliability and/or presenting an extreme operating environment, written consent and authorization from Abracon LLC is required. Please contact Abracon LLC for more information.



5101 Hidden Creek Ln Spicewood TX 78669  
Phone: 512-371-6159 | Fax: 512-351-8858  
For terms and conditions of sales, please visit:  
[www.abracon.com](http://www.abracon.com)

REVISED: 10.04.2019

ABRACON IS  
ISO9001-2015  
CERTIFIED

## X-ON Electronics

Largest Supplier of Electrical and Electronic Components

*Click to view similar products for [Modular Connectors / Ethernet Connectors](#) category:*

*Click to view products by [Abracon](#) manufacturer:*

Other Similar products are found below :

[8949-H88/06BLKA/SN](#) [74441-0010/BKN](#) [MP1010RX-1000](#) [MP44RX-1000](#) [PHP-6P6C-5](#) [GAX-3-66](#) [GAX-8-62](#) [GDCX-PA-66-50](#) [GDCX-PN-64](#) [GDCX-PN-66](#) [GDCX-PN-66-50](#) [GDLX-A-66](#) [GDLX-N-66](#) [GDLX-S-66](#) [GDLX-S-88K](#) [GDTX-S-88-50](#) [GDX-PA-1010](#) [GLX-N-1010M-BLK](#) [GLX-S-88M-BLK](#) [GMX-N-1010](#) [GMX-S-1010](#) [GMX-S-66](#) [GMX-SMT4-N-88](#) [GPX-2-64](#) [GSGX-N-2-88](#) [GSGX-N-4-88](#) [GSX-NS2-88-3.05](#) [GSX-NS2-88-3.05-50](#) [GSX-NS-88-3.05-50](#) [PT-108A-8C-UL](#) [PT-J951-8C](#) [PTS-J531-8CS-50UL](#) [1-1775629-2](#) [A-2014-0-4](#) [GWLX-S-88-GR](#) [GWLX-S9-88-YG](#) [DC-1021-8-WH-6](#) [1300530003](#) [1324640-4](#) [RJ11FTVC2G](#) [RJ11FTVC2N](#) [RJFTVX2SA1G](#) [132764-001](#) [1413235](#) [MP88X-1000](#) [MPS88RX-5000](#) [E5288-S000K3-L](#) [E5908-15A242-L](#) [155302-001](#) [AX100653](#)