

RJ45, 2x4 Multi Port, 1G Base-T Magnetics Module

ARJM24 Series

Request Samples



Check Inventory



59.0 x 28.4 x 25.8 mm
RoHS/RoHS II Compliant
MSL Level = 1

Features

- IEEE 802.3 compliant and UL certified
- High performance integrated magnetics for EMI suppression
- Suitable for CAT5 and CAT6 UTP cabling
- RoHS peak wave solder temperature rating 265°C
- Extended operating temperature -40 to 85°C option

Applications

- Multiport 1G Base-T LAN
- Network Interface Cards
- High Density Data Center Switches
- NAS / Expander storage
- Data Center Servers, Routers
- Media converters

Electrical Specifications

Parameters	Minimum	Typical	Maximum	Units	Notes
Turn Ratio ($\pm 3\%$)	1CT:1CT				100kHz, 0.1V
Inductance	350			μH	100kHz, 0.1V, 8mADC
Hipot	1500			V _{rms}	1mA Max Complies with IEEE 802.3
Operating Temperature	-40		+85	°C	See options
Storage Temperature	-40		+85	°C	
Insertion Loss	-1.1			dB	0.5-100MHz
Return Loss			-18	dB	0.5-40MHz
			$-12+20\log(f/80)^\dagger$		40.1-100MHz
Crosstalk			-35	dB	0.5-40MHz
			$-33+20\log(f/50)^\dagger$		40.1-100MHz
CMRR			-30	dB	0.5-100MHz

\dagger f represents the test frequency specified in MHz

ARJM24 Series is RoHS/RoHS II Compliant

MSL level: 1

UL Certification Number: E503350



5101 Hidden Creek Ln Spicewood TX 78669
Phone: 512-371-6159 | Fax: 512-351-8858
For terms and conditions of sales, please visit:
www.abracon.com

REVISED: 01-21-21

ABRACON IS
ISO9001-2015
CERTIFIED

RJ45, 2x4 Multi Port, 1G Base-T Magnetics Module

ARJM24 Series

Request Samples



Check Inventory

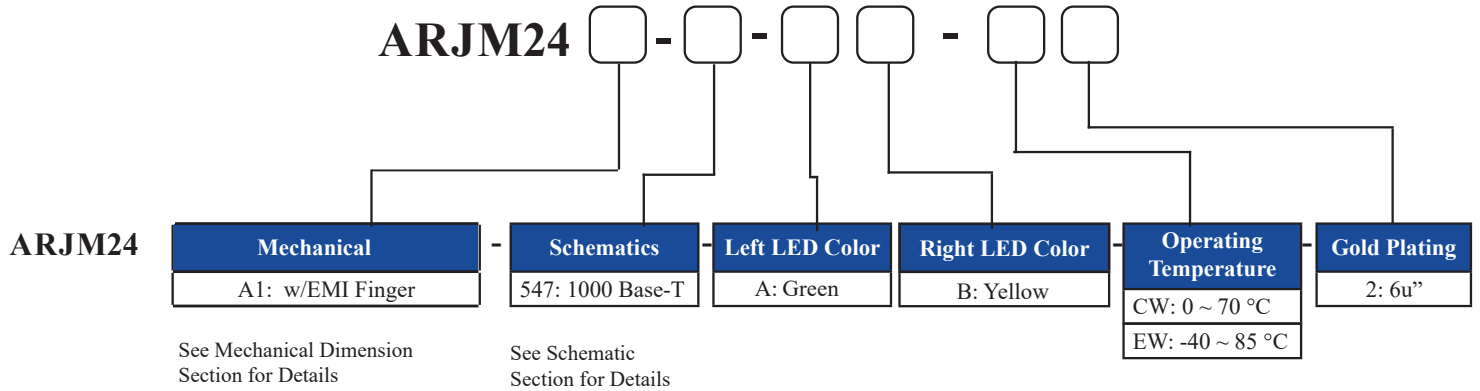


59.0 x 28.4 x 25.8 mm

RoHS/RoHS II Compliant

MSL Level = 1

Part Number Identification



Available Part Numbers

Part Number	Speed	Tab Direction	LED (Left:Right)	Operating Temperature	Solder Method	Gold Plating
ARJM24 -547 -AB-CW2	1000 Base-T	Up/Down	G : Y	0°C ~ 70°C	Wave	6μ"
ARJM24 -547 -AB-EW2	1000 Base-T	Up/Down	G : Y	-40°C ~ 85°C	Wave	6μ"

Materials

1. Housing:

Material:
PBT, UL94V-0
Standard Color: Black

2. Contact Pin:

Material: Phosphor Bronze
Plating (1): Nickel
Plating (2): 100%Sn

3. Insert:

Material:
PBT, UL94V-0

Contact Material: Phosphor Bronze
Plating (1): Nickel
Plating (2): Gold, 6u"

4. LED:

Material: Diffused Epoxy Lens, 0.5x0.5mm
Carbon Steel wireframe leads

5. Metal Shell:

Material: Brass
Plating (1): Nickel

Note: Abracon LLC will not alter any material composition, without prior written notification.



5101 Hidden Creek Ln Spicewood TX 78669
Phone: 512-371-6159 | Fax: 512-351-8858
For terms and conditions of sales, please visit:
www.abracon.com

REVISED: 01-21-21

ABRACON IS
ISO9001-2015
CERTIFIED

RJ45, 2x4 Multi Port, 1G Base-T Magnetics Module

ARJM24 Series

Request Samples



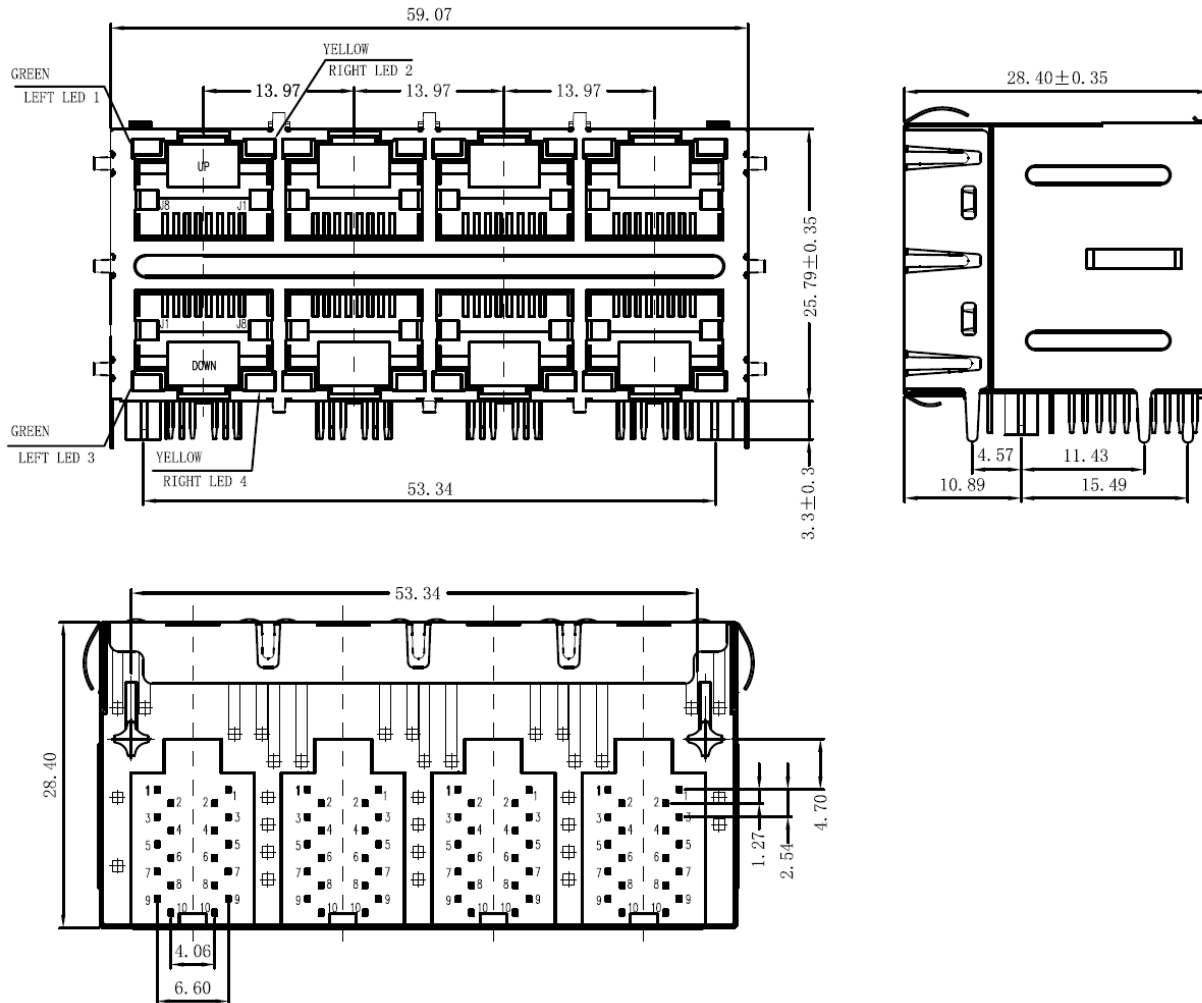
Check Inventory



59.0 x 28.4 x 25.8 mm
RoHS/RoHS II Compliant
MSL Level = 1

Mechanical Specifications

A1: 2 x 4, w/ EMI Fingers



Dimensions are in mm. Unless otherwise noted, tolerance is $\pm 0.25\text{mm}$



5101 Hidden Creek Ln Spicewood TX 78669
Phone: 512-371-6159 | Fax: 512-351-8858
For terms and conditions of sales, please visit:
www.abracon.com

REVISED: 01-21-21

ABRACON IS
ISO9001-2015
CERTIFIED

RJ45, 2x4 Multi Port, 1G Base-T Magnetics Module

ARJM24 Series

Request Samples

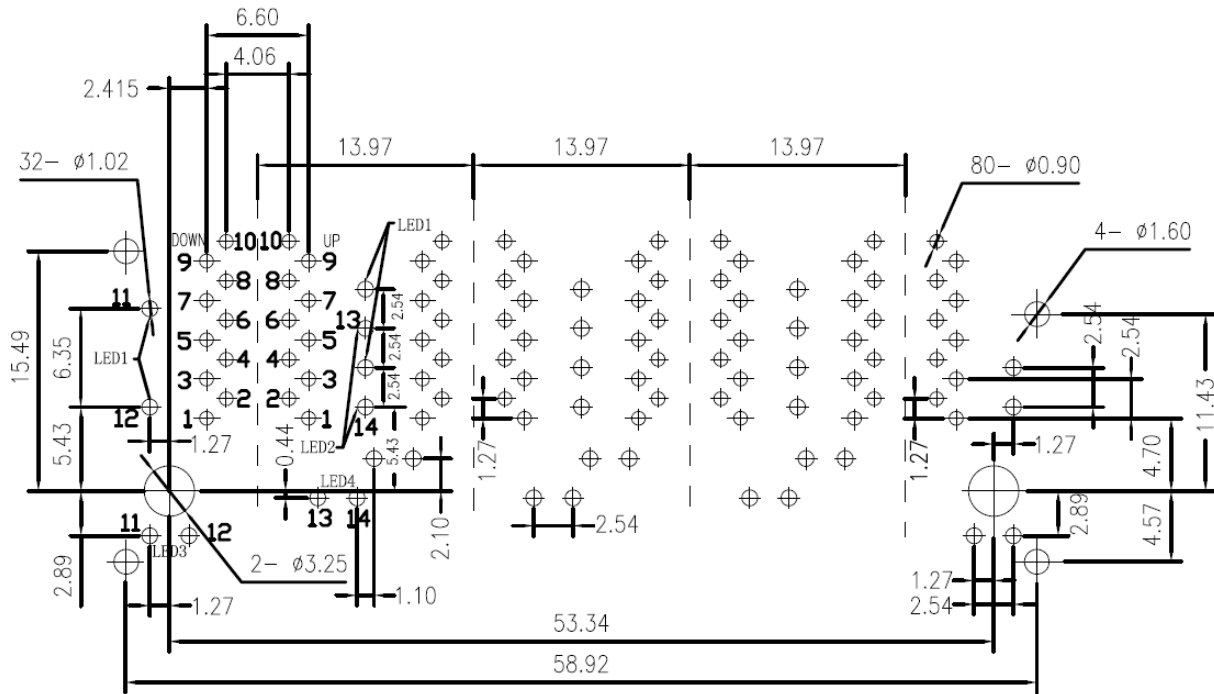


Check Inventory



59.0 x 28.4 x 25.8 mm
RoHS/RoHS II Compliant
MSL Level = 1

Recommended Layout



SUGGESTED PCB LAYOUT (TOP VIEW)

Dimensions are in mm. Unless otherwise noted, tolerance is ± 0.25 mm



5101 Hidden Creek Ln Spicewood TX 78669
Phone: 512-371-6159 | Fax: 512-351-8858
For terms and conditions of sales, please visit:
www.abracon.com

REVISED: 01-21-21

ABRACON IS
ISO9001-2015
CERTIFIED

RJ45, 2x4 Multi Port, 1G Base-T Magnetics Module

ARJM24 Series

Request Samples



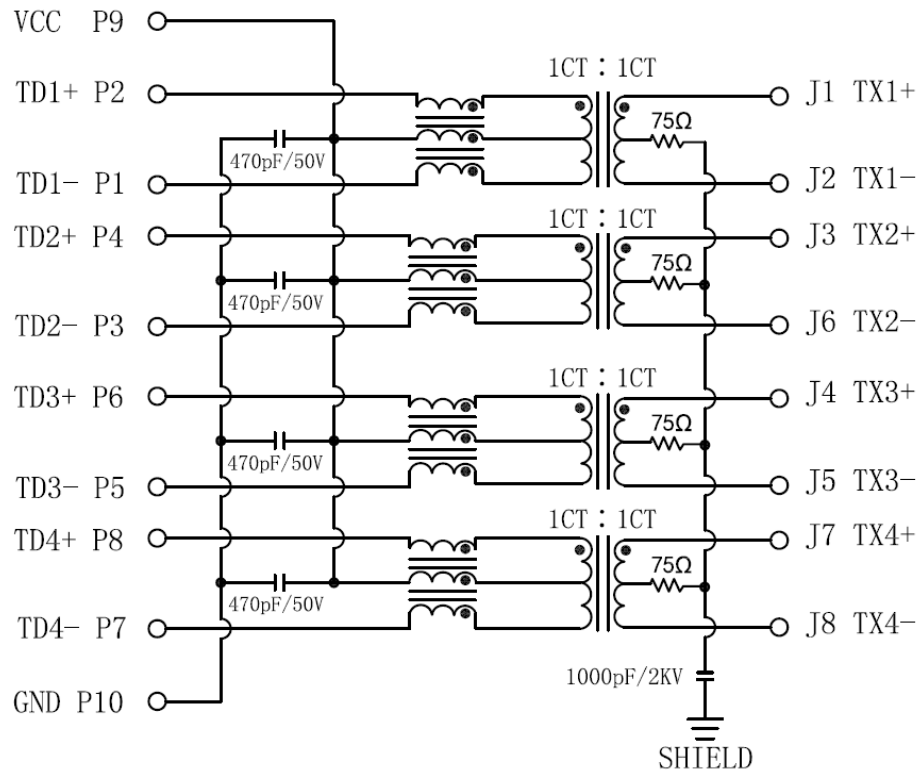
Check Inventory



59.0 x 28.4 x 25.8 mm
RoHS/RoHS II Compliant
MSL Level = 1

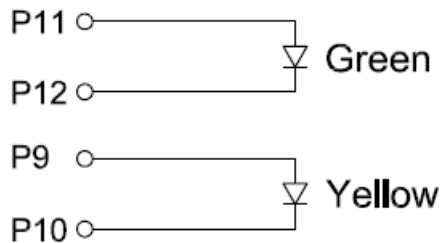
Schematic

547 (1000 Base-T)



LED SPECIFICATION. @20mA Forward Current

AB (Left: Green – Right: Yellow) :



Color	Green	Yellow
Wavelength	565nm Typ	585nm Typ
Forward Voltage	2.2V Typ	2.1V Typ

RJ45, 2x4 Multi Port, 1G Base-T Magnetics Module

ARJM24 Series

Request Samples

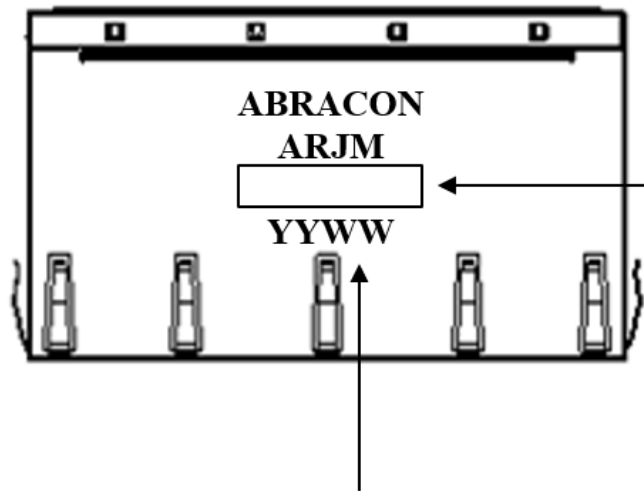


Check Inventory



59.0 x 28.4 x 25.8 mm
RoHS/RoHS II Compliant
MSL Level = 1

Part Marking



Part number

XXXX-XXX-XX-XXX

e.g. 24A1-547-AB-EW2

YY: Year: E.g. 21 for 2021

WW: Week: E.g. 05 for
the 5th week of the year.

Marking Method = Laser Marking



5101 Hidden Creek Ln Spicewood TX 78669
Phone: 512-371-6159 | Fax: 512-351-8858
For terms and conditions of sales, please visit:
www.abracon.com

REVISED: 01-21-21

ABRACON IS
ISO9001-2015
CERTIFIED

RJ45, 2x4 Multi Port, 1G Base-T Magnetics Module

ARJM24 Series

Request Samples



Check Inventory

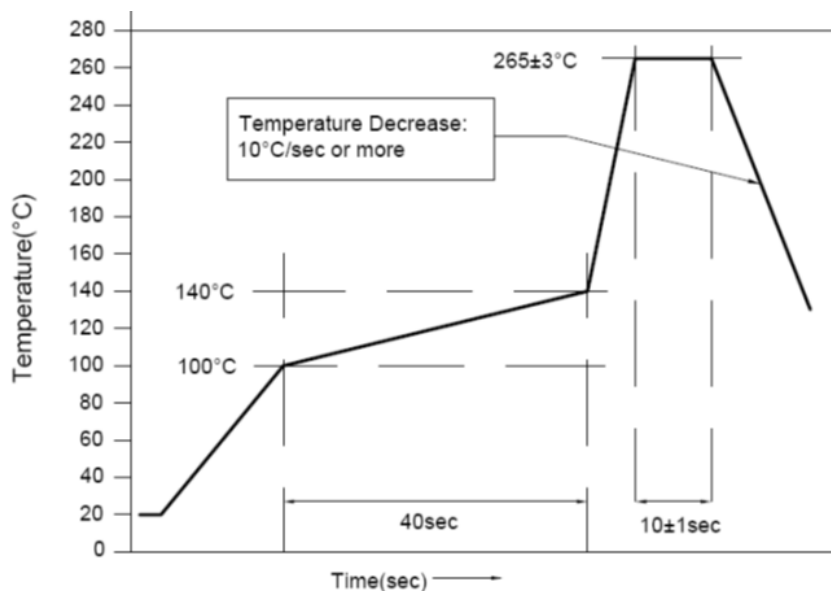


59.0 x 28.4 x 25.8 mm

RoHS/RoHS II Compliant

MSL Level = 1

Wave Profile



Packaging

Series	Approximate Weight / Pc	Approximate Weight / Carton	Qty / Carton (pcs)	Trays / Carton	Pcs/ Tray	Carton Dimensions (LxWxH)
ARJM24	38.90 g	9.0 Kg	216	18	12	370 x 330 x 320 mm

ATTENTION: Abracon LLC's products are COTS – Commercial-Off-The-Shelf products; suitable for Commercial, Industrial and, where designated, Automotive Applications. Abracon's products are not specifically designed for Military, Aviation, Aerospace, Life-dependent Medical applications or any application requiring high reliability where component failure could result in loss of life and/or property. For applications requiring high reliability and/or presenting an extreme operating environment, written consent and authorization from Abracon LLC is required. Please contact Abracon LLC for more information.



5101 Hidden Creek Ln Spicewood TX 78669
 Phone: 512-371-6159 | Fax: 512-351-8858
 For terms and conditions of sales, please visit:
www.abracon.com

REVISED: 01-21-21

ABRACON IS
 ISO9001-2015
 CERTIFIED

X-ON Electronics

Largest Supplier of Electrical and Electronic Components

Click to view similar products for [Modular Connectors / Ethernet Connectors](#) category:

Click to view products by [Abracon](#) manufacturer:

Other Similar products are found below :

[8949-H88/06BLKA/SN](#) [74441-0010/BKN](#) [MP1010RX-1000](#) [MP44RX-1000](#) [PHP-6P6C-5](#) [GAX-3-66](#) [GAX-8-62](#) [GDCX-PA-66-50](#) [GDCX-PN-64](#) [GDCX-PN-66](#) [GDCX-PN-66-50](#) [GDLX-A-66](#) [GDLX-N-66](#) [GDLX-S-66](#) [GDLX-S-88K](#) [GDTX-S-88-50](#) [GDX-PA-1010](#) [GLX-N-1010M-BLK](#) [GLX-S-88M-BLK](#) [GMX-N-1010](#) [GMX-S-1010](#) [GMX-S-66](#) [GMX-SMT4-N-88](#) [GPX-2-64](#) [GSGX-N-2-88](#) [GSGX-N-4-88](#) [GSX-NS2-88-3.05](#) [GSX-NS2-88-3.05-50](#) [GSX-NS-88-3.05-50](#) [PT-108A-8C-UL](#) [PT-J951-8C](#) [PTS-J531-8CS-50UL](#) [1-1775629-2](#) [A-2014-0-4](#) [GWLX-S-88-GR](#) [GWLX-S9-88-YG](#) [DC-1021-8-WH-6](#) [1300530003](#) [1324640-4](#) [RJ11FTVC2G](#) [RJ11FTVC2N](#) [RJFTVX2SA1G](#) [132764-001](#) [1413235](#) [MP88X-1000](#) [MPS88RX-5000](#) [E5288-S000K3-L](#) [E5908-15A242-L](#) [155302-001](#) [AX100653](#)