

RJ45 PoE 10/100 Base-TX Jack with Magnetic Module



16.26 x 13.84 x 21.59 mm

RoHS
Compliant

ARJP11A

FEATURES:

- PoE
- Available with or without LED
- Suitable CAT 5 & 6 cable and UTP
- Comply IEEE 802.3ab
- LAN Magnetic with RJ45
- Suitable for RoHS compliant reflow

APPLICATIONS:

- 10/100 base-TX LAN
- NIC, LoM and PC

STANDARD SPECIFICATIONS at 25°C

Operating temperature range: 0°C to +70°C Storage temperature range: -40°C to +85°C

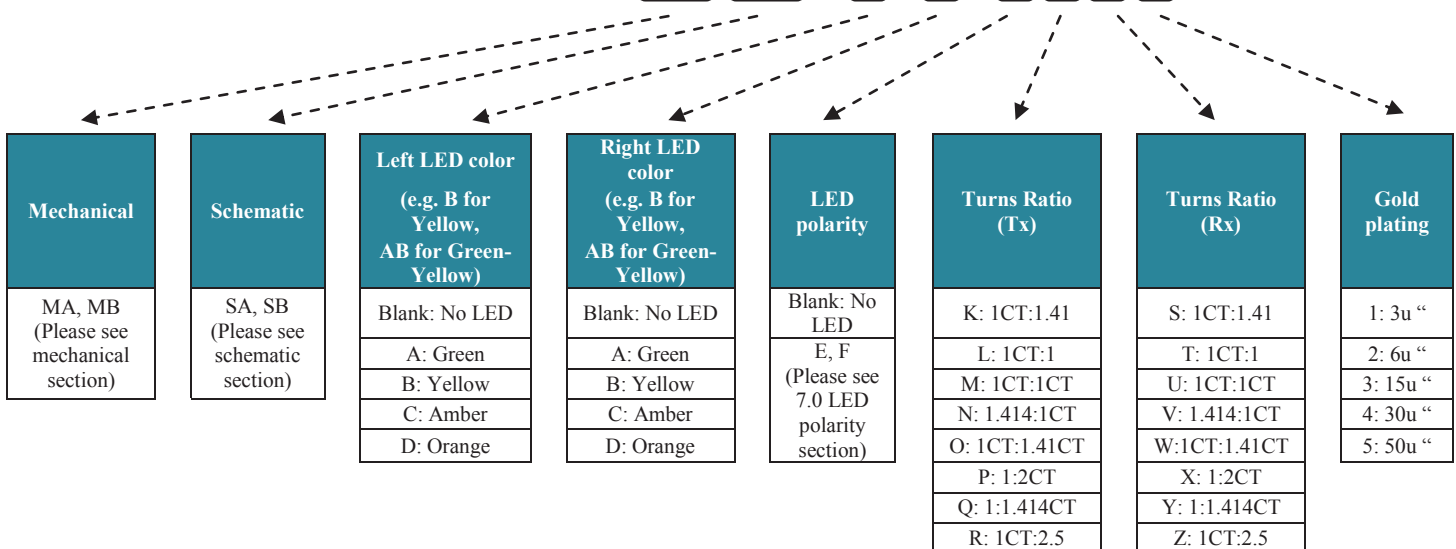
Part Number	Turns Ratio $\pm 3\%$		EMI Fingers	LEDs L/R	Insertion Loss (dB max) 0.3- 100 MHz	Return Loss (dB MIN @100Ω)			
	TX	RX				0.5- 30 MHz	40 MHz	50 MHz	60 - 80 MHz
ARJP11A-MASA-B-A-EMU2	1CT:1CT	1CT:1CT	YES	Y/G	-1.1	-18	-15.5	-13.6	-12
ARJP11A-MASA-B-A-FMU2	1CT:1CT	1CT:1CT	YES	Y/G	-1.1	-18	-15.5	-13.6	-12
ARJP11A-MBSB-A-B-EMU2	1CT:1CT	1CT:1CT	YES	G/Y	-1.1	-18	-15.5	-13.6	-12
ARJP11A-MBSB-A-B-FMU2	1CT:1CT	1CT:1CT	YES	G/Y	-1.1	-18	-15.5	-13.6	-12

Part Number	Crosstalk (dB TYP)	Common Mode Rejection (dB TYP)			Hipot (Vrms min)
	0.3 - 100 MHz	0.3 - 30 MHz	30 - 60 MHz	60 - 100 MHz	
ARJP11A-MASA-B-A-EMU2	-38	-50	-40	-30	1500
ARJP11A-MASA-B-A-FMU2	-38	-50	-40	-30	1500
ARJP11A-MBSB-A-B-EMU2	-38	-50	-40	-30	1500
ARJP11A-MBSB-A-B-FMU2	-38	-50	-40	-30	1500

Contact Abracon for more custom configurations. See options to build a custom configuration.

OPTIONS AND PART IDENTIFICATION

ARJP11A - - - -



RJ45 PoE 10/100 Base-TX Jack with Magnetic Module

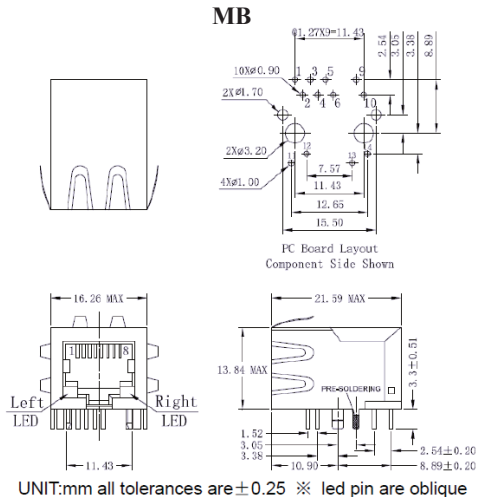
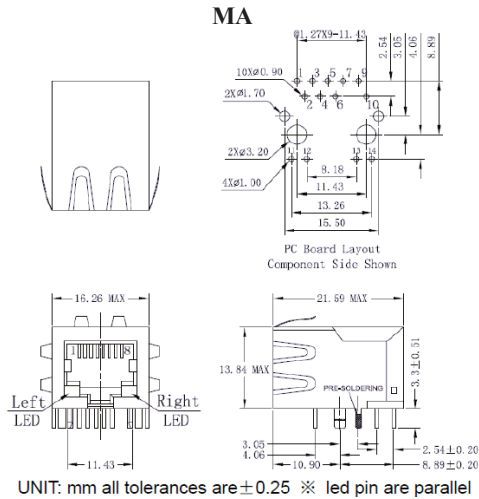
ARJP11A

RoHS
Compliant

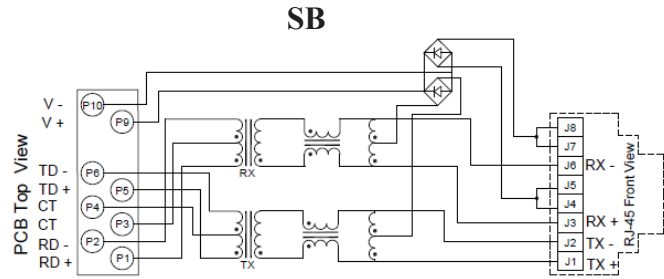
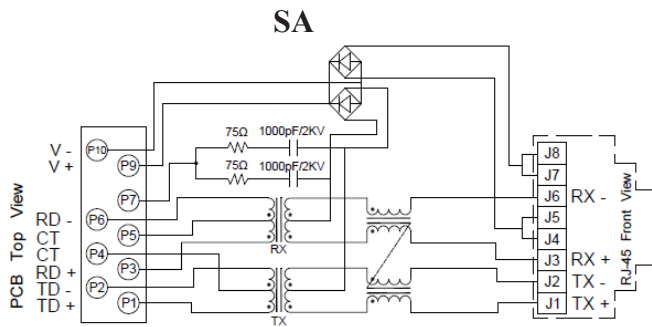


16.26 x 13.84 x 21.59 mm

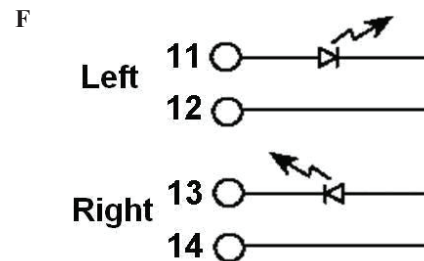
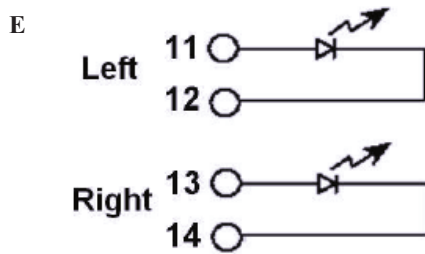
MECHANICAL DIMENSIONS



SCHEMATICS



LED POLARITY



RJ45 PoE 10/100 Base-TX Jack with Magnetic Module

ARJP11A

RoHS
Compliant

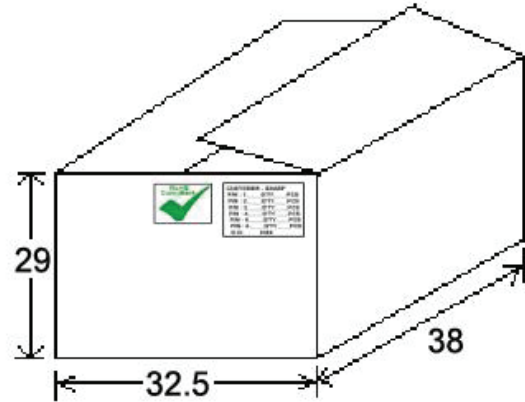
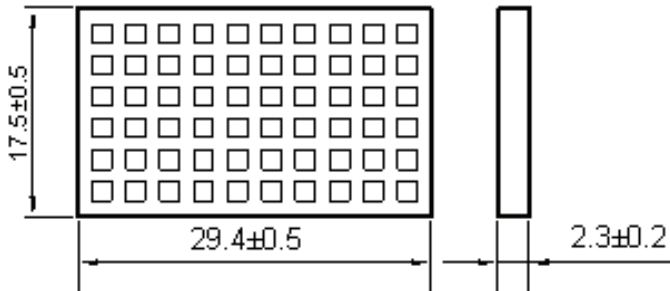


16.26 x 13.84 x 21.59 mm

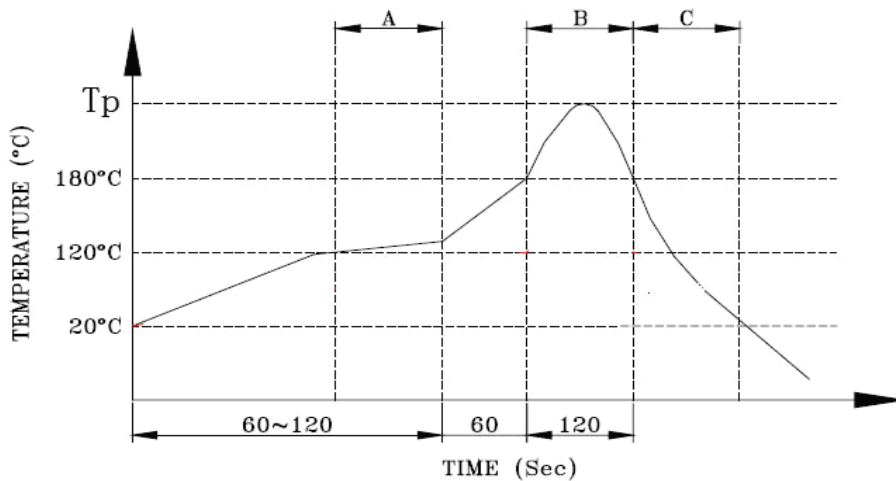
PACKING: 60pcs/tray

Packaging material: PET

Outer carton unit : 1320 pcs/ 22 Trays/box



REFLOW PROFILE:



Peak temperature(Tp) : 250± 10°C
Peak temperature(Tp) time : 5sec max

A. Preheating B. Soldering C. Gradual Cooling

ATTENTION: Abracon Corporation's products are COTS – Commercial-Off-The-Shelf products; suitable for Commercial, Industrial and, where designated, Automotive Applications. Abracon's products are not specifically designed for Military, Aviation, Aerospace, Life-dependant Medical applications or any application requiring high reliability where component failure could result in loss of life and/or property. For applications requiring high reliability and/or presenting an extreme operating environment, written consent and authorization from Abracon Corporation is required. Please contact Abracon Corporation for more information.

ABRACON IS
ISO 9001:2008
CERTIFIED



Visit www.abracon.com for Terms & Conditions of Sale
30332 Esperanza, Rancho Santa Margarita, California 92688
tel 949-546-8000 | fax 949-546-8001 | www.abracon.com

Revised: 05.13.16

X-ON Electronics

Largest Supplier of Electrical and Electronic Components

Click to view similar products for [Modular Connectors / Ethernet Connectors](#) category:

Click to view products by [ABRACON](#) manufacturer:

Other Similar products are found below :

[8949-H88/06BLKA/SN](#) [74441-0010/BKN](#) [MP1010RX-1000](#) [MP44RX-1000](#) [PHP-6P6C-5](#) [GAX-3-66](#) [GAX-8-62](#) [GDCX-PA-66-50](#) [GDCX-PN-64](#) [GDCX-PN-66](#) [GDCX-PN-66-50](#) [GDLX-A-66](#) [GDLX-N-66](#) [GDLX-S-66](#) [GDLX-S-88K](#) [GDTX-S-88-50](#) [GDX-PA-1010](#) [GLX-N-1010M-BLK](#) [GLX-S-88M-BLK](#) [GMX-N-1010](#) [GMX-S-1010](#) [GMX-S-66](#) [GMX-SMT4-N-88](#) [GPX-2-64](#) [GSGX-N-2-88](#) [GSGX-N-4-88](#) [GSX-NS2-88-3.05](#) [GSX-NS2-88-3.05-50](#) [GSX-NS-88-3.05-50](#) [PT-108A-8C-UL](#) [PT-J951-8C](#) [PTS-J531-8CS-50UL](#) [1-1775629-2](#) [A-2014-0-4](#) [GWLX-S-88-GR](#) [GWLX-S9-88-YG](#) [DC-1021-8-WH-6](#) [1300530003](#) [1324640-4](#) [RJ11FTVC2G](#) [RJ11FTVC2N](#) [RJFTVX2SA1G](#) [132764-001](#) [1413235](#) [MP88X-1000](#) [MPS88RX-5000](#) [E5288-S000K3-L](#) [E5908-15A242-L](#) [155302-001](#) [AX100653](#)