

RJ45 Single USB Jack with 10/100 Base-TX Magnetic

ARJU21A

RoHS/RoHSII Compliant



16.78 x 21.08 x 26.00 mm

FEATURES:

- Tab up RJ45 Jack + USB
- Available with or without LED
- Suitable CAT 5 & 6 cable and UTP
- Comply IEEE 802.3ab
- LAN Magnetic with RJ4
- Suitable for RoHS compliant reflow

APPLICATIONS:

- 10 and 100 Base-TX
- NIC, LoM and PC

STANDARD SPECIFICATIONS

Operating temperature range: 0°C to +70°C Storage temperature range: -40°C to +85°C

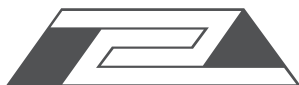
| Part Number | Turns Ratio $\pm 5\%$ | | EMI Fingers | LEDs L/R | Insertion Loss (dB max) 1 - 100 MHz | Return Loss (dB MIN @100 Ω \pm 15 Ω) | | |
|------------------------|-----------------------|---------|-------------|----------|-------------------------------------|---|--------------------|-------------|
| | TX | RX | | | | 1 - 30 MHz | 30 - 60 MHz | 60 - 80 MHz |
| ARJU21A-MCSA-AD-B-EMU2 | 1CT:1CT | 1CT:1CT | Yes | GO/Y | -1.0dB | -18dB | -18+20Log(F/30MHz) | -12dB |

| Part Number | Crosstalk (dB TYP) | Common Mode Rejection (dB MIN) | DCMR (dB MIN) | Hipot (Vrms) |
|------------------------|--------------------|--------------------------------|---------------|--------------|
| | 0.5 - 100 MHz | 0.3 - 100 MHz | 1 - 100 MHz | @ 60Hz |
| ARJU21A-MCSA-AD-B-EMU2 | -35dB | -30dB | -35dB | 1500 |

OPTIONS AND PART IDENTIFICATION

ARJU21A - [] [] - [] - [] - [] [] [] []

| Mechanical | Schematic | Left LED color (e.g. B for Yellow, AB for Green-Yellow) | Right LED color (e.g. B for Yellow, AB for Green-Yellow) | LED polarity | Turns Ratio (Tx) | Turns Ratio (Rx) | Gold plating |
|--|--------------------------------------|---|---|---|--|--|--|
| MA ~ MD (Please see mechanical section) | SA (Please see schematic section) | Blank: No LED A: Green B: Yellow C: Amber D: Orange | Blank: No LED A: Green B: Yellow C: Amber D: Orange | Blank: No LED E ~ G (Please see 7.0 LED polarity section) | K: 1CT:1.41 L: 1CT:1 M: 1CT:1CT N: 1.414:1CT O: 1CT:1.41CT P: 1:2CT Q: 1:1.414CT R: 1CT:2.5 | S: 1CT:1.41 T: 1CT:1 U: 1CT:1CT V: 1.414:1CT W: 1CT:1.41CT X: 1:2CT Y: 1:1.414CT Z: 1CT:2.5 | 1: 3u “ 2: 6u “ 3: 15u “ 4: 30u “ 5: 50u “ |



RJ45 Single USB Jack with 10/100 Base-TX Magnetic

ARJU21A

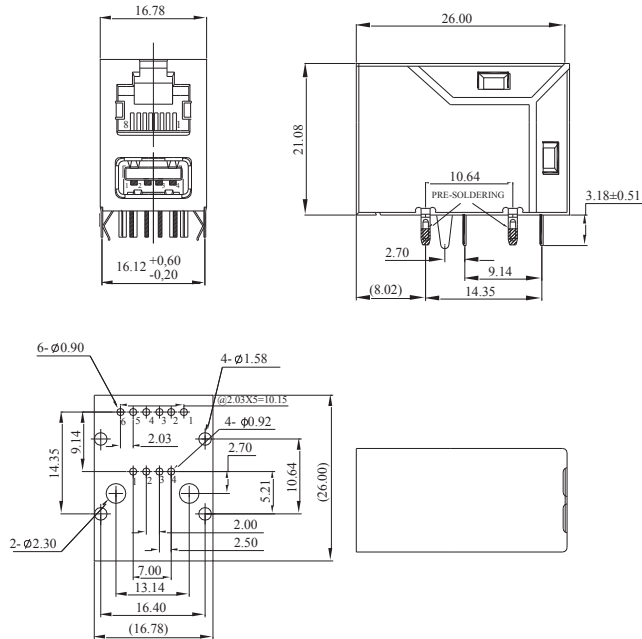
RoHS
Compliant



16.78 x 21.08 x 26.00 mm

MECHANICAL DIMENSIONS

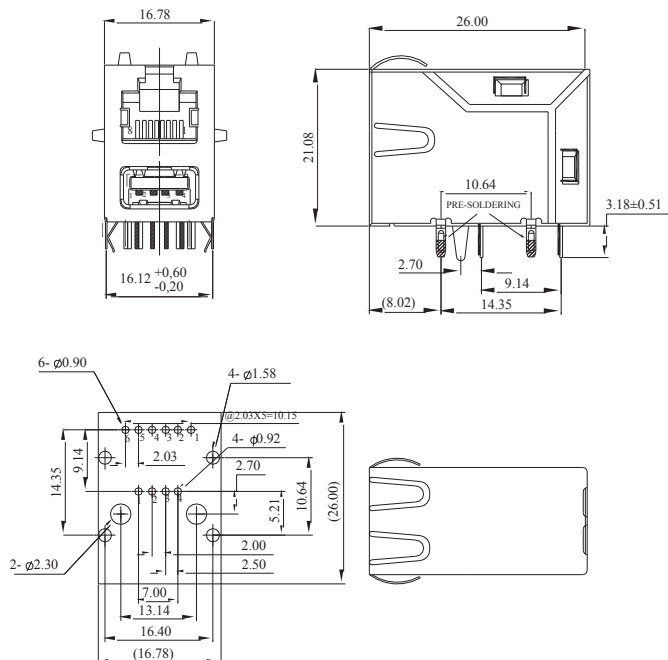
MA



PC Board Layout
Component Side Shown

n

MB



PC Board Layout
Component Side Shown

1

RJ45 Single USB Jack with 10/100 Base-TX Magnetic

ARJU21A

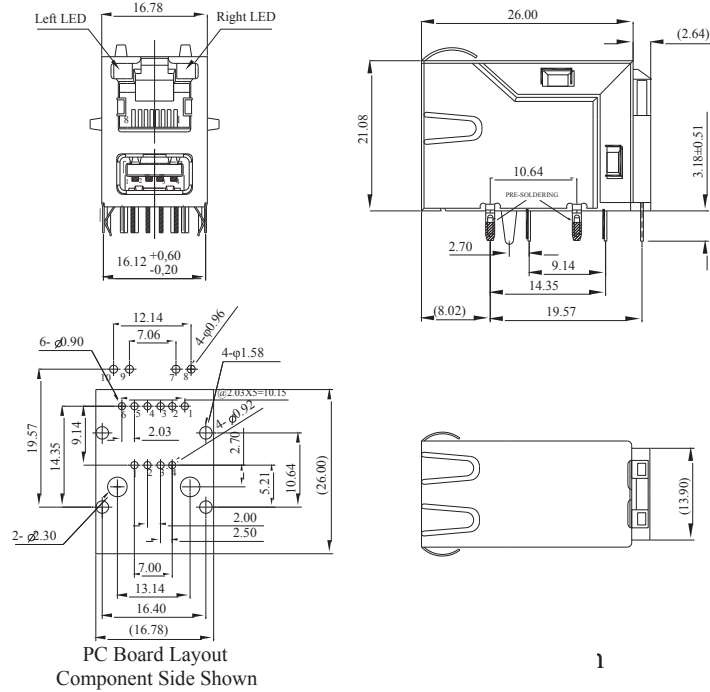
RoHS
Compliant



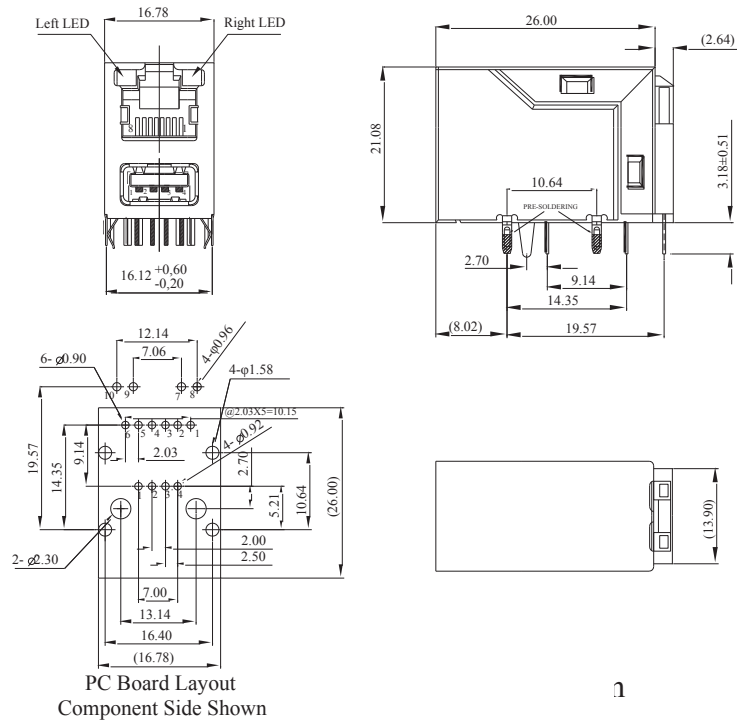
16.78 x 21.08 x 26.00 mm

MECHANICAL DIMENSIONS

MC



MD



Dimension: mm. All tolerances are ±0.25 unless otherwise specified

ABRACON IS
ISO 9001:2008
CERTIFIED



Visit www.abracon.com for Terms & Conditions of Sale
30332 Esperanza, Rancho Santa Margarita, California 92688
tel 949-546-8000 | fax 949-546-8001 | www.abracon.com

Revised: 01.23.14

RJ45 Single USB Jack with 10/100 Base-TX Magnetic

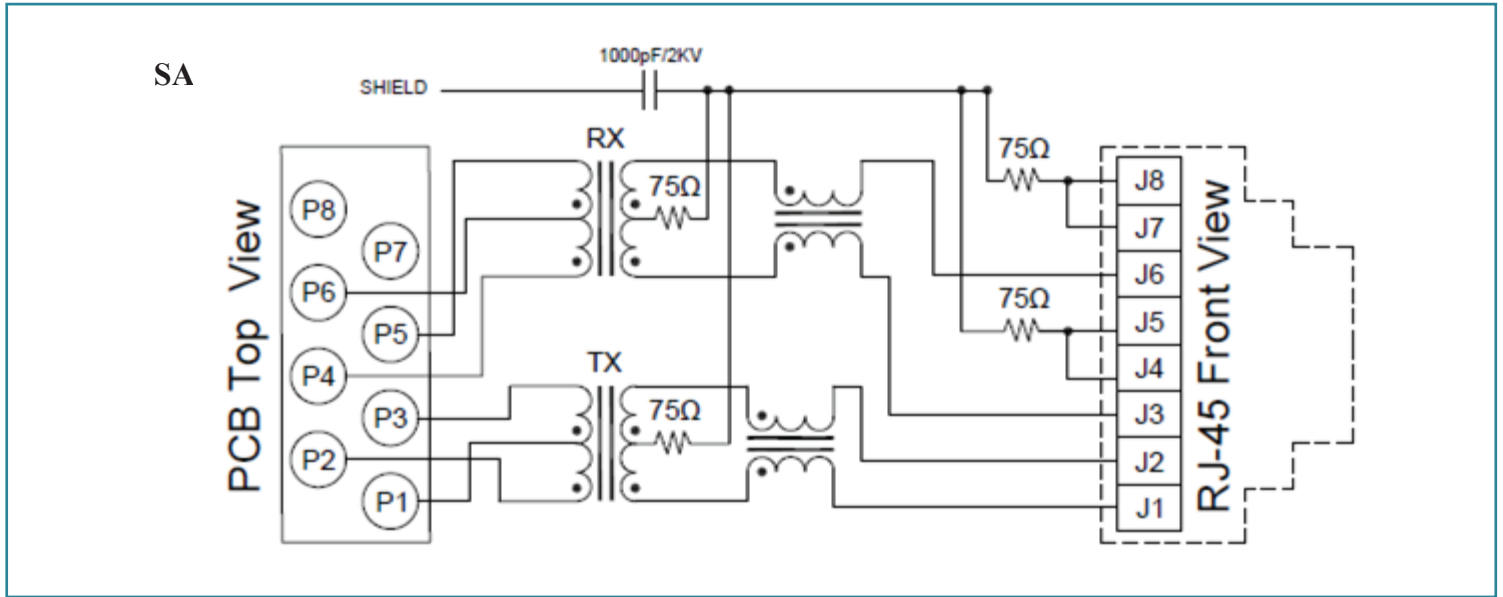
ARJU21A

RoHS
Compliant

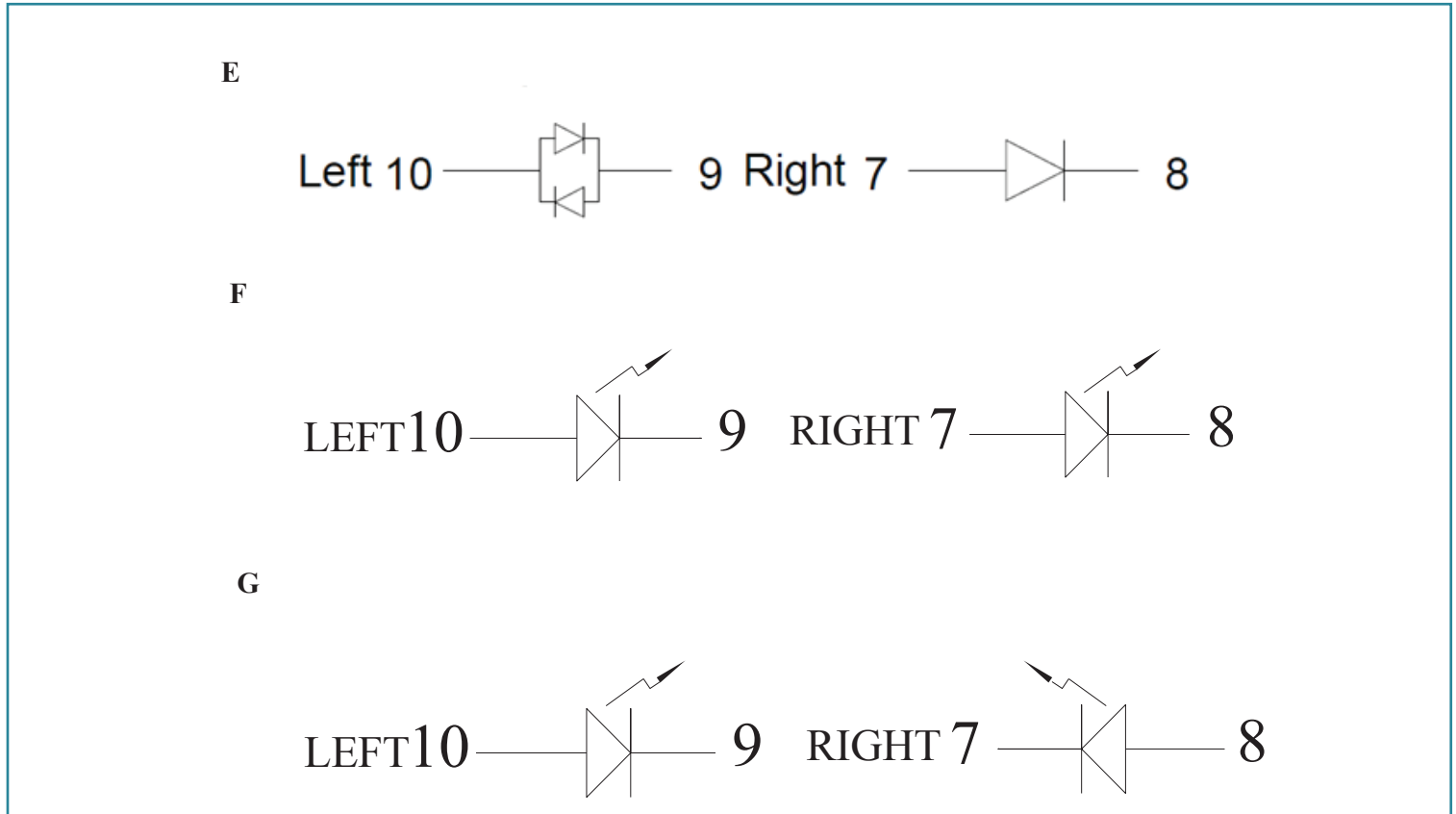


16.78 x 21.08 x 26.00 mm

SCHEMATICS



LED POLARITY



RJ45 Single USB Jack with 10/100 Base-TX Magnetic

ARJU21A

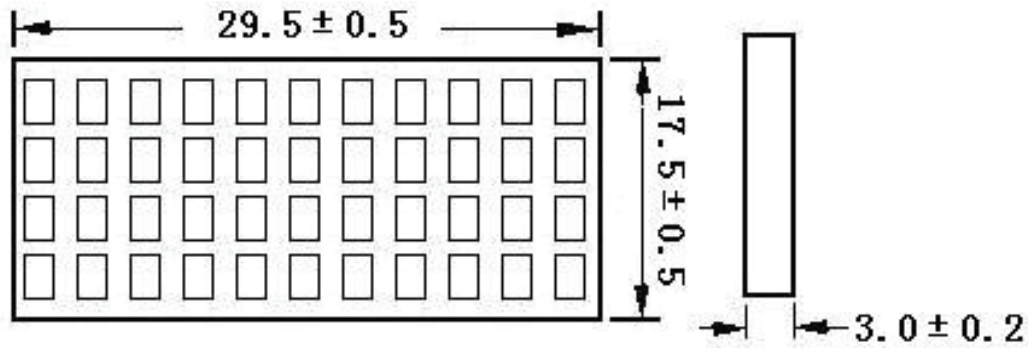
RoHS
Compliant



16.78 x 21.08 x 26.00 mm

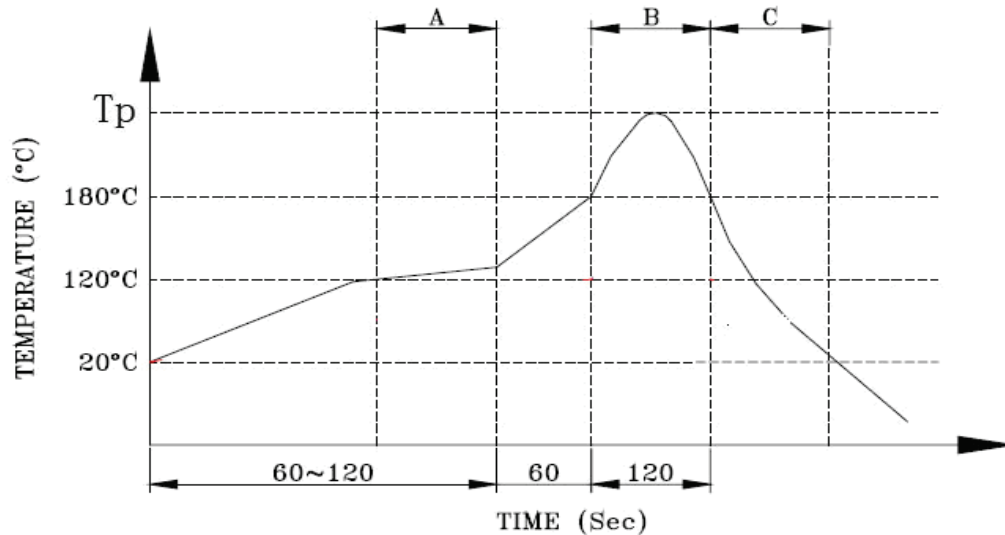
PACKING: 44pcs/tray

Packaging material: PET



Dimensions: cm

WAVE SOLDERING PROFILE:



— PIN TEMPERATURE

A. Preheating B. Soldering C. Gradual Cooling

Peak temperature(Tp) : 250± 10°C

Peak temperature(Tp) time : 5sec max

ATTENTION: Abracon Corporation's products are COTS – Commercial-Off-The-Shelf products; suitable for Commercial, Industrial and, where designated, Automotive Applications. Abracon's products are not specifically designed for Military, Aviation, Aerospace, Life-dependant Medical applications or any application requiring high reliability where component failure could result in loss of life and/or property. For applications requiring high reliability and/or presenting an extreme operating environment, written consent and authorization from Abracon Corporation is required. Please contact Abracon Corporation for more information.

ABRACON IS
ISO 9001:2008
CERTIFIED



Visit www.abracon.com for Terms & Conditions of Sale
30332 Esperanza, Rancho Santa Margarita, California 92688
tel 949-546-8000 | fax 949-546-8001 | www.abracon.com

Revised: 01.23.14

X-ON Electronics

Largest Supplier of Electrical and Electronic Components

Click to view similar products for [Modular Connectors](#) / [Ethernet Connectors](#) category:

Click to view products by [ABRACON](#) manufacturer:

Other Similar products are found below :

[8949-H88/06BLKA/SN](#) [74441-0010/BKN](#) [MP1010RX-1000](#) [MP44RX-1000](#) [PHP-6P6C-5](#) [GAX-3-66](#) [GAX-8-62](#) [GDCX-PA-66-50](#) [GDCX-PN-64](#) [GDCX-PN-66](#) [GDCX-PN-66-50](#) [GDLX-A-66](#) [GDLX-N-66](#) [GDLX-S-66](#) [GDLX-S-88K](#) [GDTX-S-88-50](#) [GDX-PA-1010](#) [GLX-N-1010M-BLK](#) [GLX-S-88M-BLK](#) [GMX-N-1010](#) [GMX-S-1010](#) [GMX-S-66](#) [GMX-SMT4-N-88](#) [GPX-2-64](#) [GSGX-N-2-88](#) [GSGX-N-4-88](#) [GSX-NS2-88-3.05](#) [GSX-NS2-88-3.05-50](#) [GSX-NS-88-3.05-50](#) [PT-108A-8C-UL](#) [PT-J951-8C](#) [PTS-J531-8CS-50UL](#) [1-1775629-2](#) [A-2014-0-4](#) [GWLX-S-88-GR](#) [GWLX-S9-88-YG](#) [DC-1021-8-WH-6](#) [1300530003](#) [1324640-4](#) [RJ11FTVC2G](#) [RJ11FTVC2N](#) [RJFTVX2SA1G](#) [132764-001](#) [1413235](#) [MP88X-1000](#) [MPS88RX-5000](#) [E5288-S000K3-L](#) [E5908-15A242-L](#) [155302-001](#) [AX100653](#)