

RJ45 Jack with 10/100/1000 Base-TX Magnetic/Dual USB Combo

ARJU31B

RoHS
Compliant



18.85 x 30.52 x 27.40 mm

FEATURES:

- Tab up RJ 45 jack + 2 USB
- Available with or without LED
- Suitable CAT 5 & 6 cable and UTP
- Comply IEEE 802.3ab
- LAN Magnetic with RJ45 Jack
- Suitable for RoHS compliant reflow

APPLICATIONS:

- 10, 100 and 1000 Base-TX
- NIC, LoM and PC

STANDARD SPECIFICATIONS

Operating temperature range: 0°C to +70°C Storage temperature range: -40°C to +85°C

| Part Number | Turns Ratio $\pm 5\%$ | | EMI Fingers | LEDs | Insertion Loss (dB max) 1 - 100 MHz | Return Loss (dB MIN @100 Ω \pm 15 Ω) | | |
|------------------------|-----------------------|---------|-------------|-------|--|---|-------------|-------------|
| | TX | RX | | L/R | | 1 - 30 MHz | 30 - 60 MHz | 60 - 80 MHz |
| ARJU31B-MASB-AD-B-FLU2 | 1CT:1 | 1CT:1CT | No | G-O/Y | -1.0 | -18 | -16 | -12 |
| ARJU31B-MCSC-B-AD-ELU2 | 1CT:1 | 1CT:1CT | No | Y/G-O | -1.0 | -18 | -16 | -12 |
| ARJU31B-MASD-A-B-HLU2 | 1CT:1 | 1CT:1CT | No | G/Y | -1.0 | -20 | -14 | -12 |
| ARJU31B-MCSM-AD-B-GLT2 | 1CT:1 | 1CT:1 | No | G-O/Y | -1.0 | -18 | -16 | -12 |
| ARJU31B-MCSN-A-AD-ELT2 | 1CT:1 | 1CT:1 | No | G/G-O | -1.0 | -18 | -16 | -12 |
| ARJU31B-MCSO-A-AD-EMU2 | 1CT:1CT | 1CT:1CT | No | G/G-O | -1.0 | -18 | -16 | -12 |

| Part Number | Crosstalk (dB TYP) | | | Common Mode Rejection (dB TYP) | | Hipot (Vrms) |
|------------------------|--------------------|-------------|--------------|--------------------------------|-------------|--------------|
| | 1.0 - 10 MHz | 32 - 60 MHz | 60 - 100 MHz | 1 - 50 MHz | 50 - 100MHz | @ 60Hz |
| ARJU31B-MASB-AD-B-FLU2 | -40 | -35 | -30 | -30 | -20 | 1500 |
| ARJU31B-MCSC-B-AD-ELU2 | -35 | -35 | -35 | -30 | -30 | 1500 |
| ARJU31B-MASD-A-B-HLU2 | -35 | -35 | -- | -30 | -30 | 1500 |
| ARJU31B-MCSM-AD-B-GLT2 | -40 | -40 | -35 | -30 | -25 | 1500 |
| ARJU31B-MCSN-A-AD-ELT2 | -40 | -40 | -35 | -30 | -25 | 1500 |
| ARJU31B-MCSO-A-AD-EMU2 | -40 | -35 | -30 | -30 | -20 | 1500 |

Contact Abracon for more custom configurations. See options to build a custom configuration.

OPTIONS AND PART IDENTIFICATION

ARJU31B - [] [] - [] - [] - [] [] [] []

| Mechanical | Schematic | Left LED color (e.g. B for Yellow, AB for Green-Yellow) | Right LED color (e.g. B for Yellow, AB for Green-Yellow) | LED polarity | Turns Ratio (Tx) | Turns Ratio (Rx) | Gold plating |
|--|---|---|---|---|--|--|---|
| MA ~ MD (Please see mechanical section) | SA ~ ST (Please see schematic section) | Blank: No LED A: Green B: Yellow C: Amber D: Orange | Blank: No LED A: Green B: Yellow C: Amber D: Orange | Blank: No LED E ~ K (Please see 7.0 LED polarity section) | K: 1CT:1.41 L: 1CT:1 M: 1CT:1CT N: 1.414:1CT O: 1CT:1.41CT P: 1:2CT Q: 1:1.414CT R: 1CT:2.5 | S: 1CT:1.41 T: 1CT:1 U: 1CT:1CT V: 1.414:1CT W: 1CT:1.41CT X: 1:2CT Y: 1:1.414CT Z: 1CT:2.5 | 2: 6u “ 3: 15u “ 4: 30u “ 5: 50u “ |

RJ45 Jack with 10/100/1000 Base-TX Magnetic/Dual USB Combo

ARJU31B

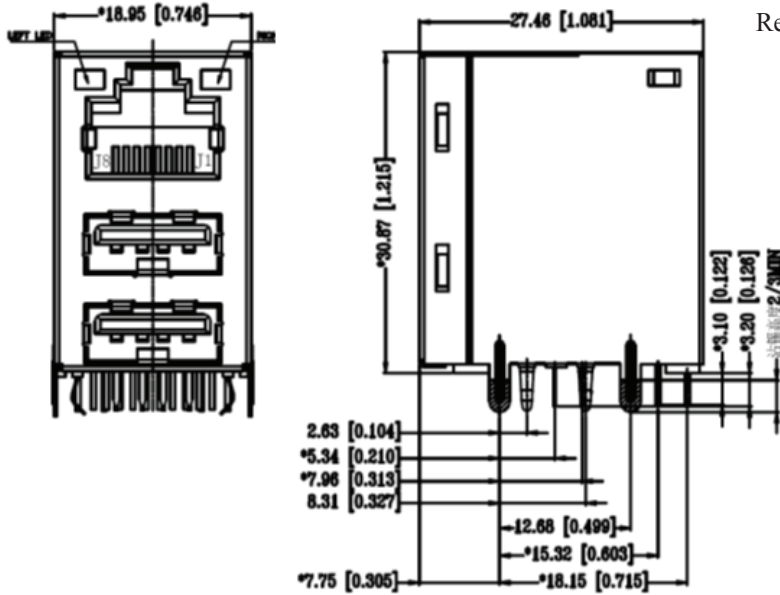
RoHS
Compliant



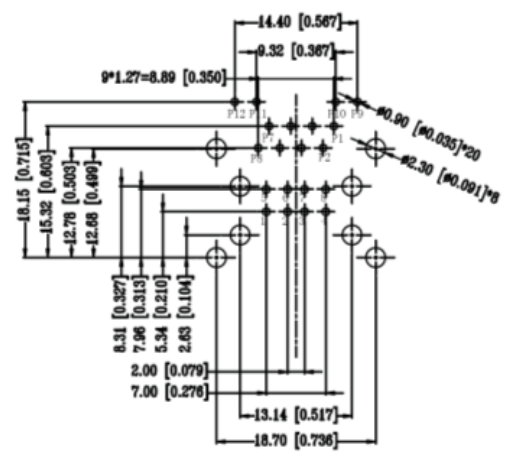
18.85 x 30.52 x 27.40 mm

MECHANICAL DIMENSIONS

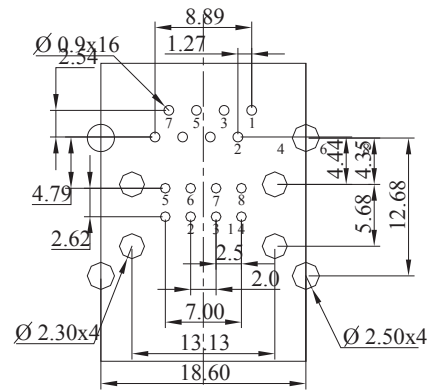
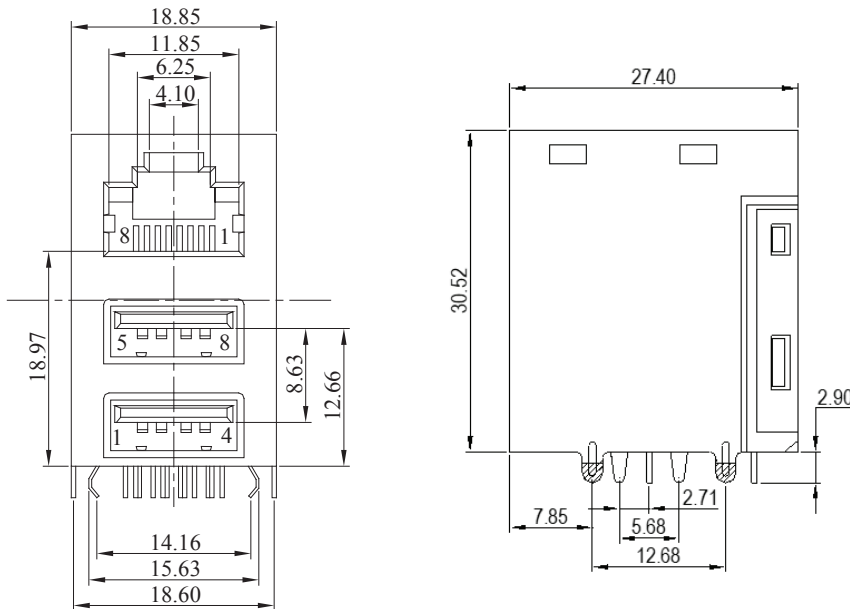
MA: 8PIN



Recommended PWB Layout (Component Side View):



MB: 8PIN



PC Board Layout
Component Side Shown

RJ45 Jack with 10/100/1000 Base-TX Magnetic/Dual USB Combo

ARJU31B

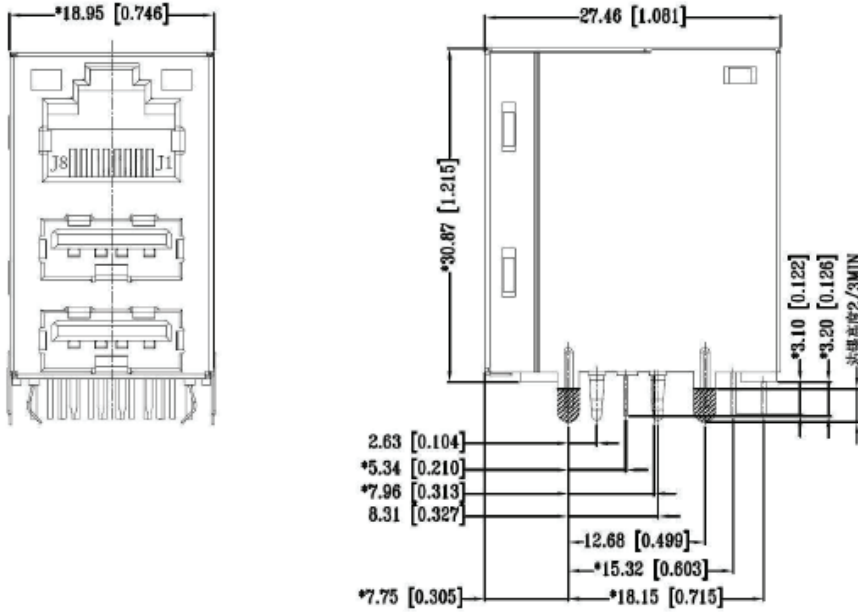
RoHS
Compliant



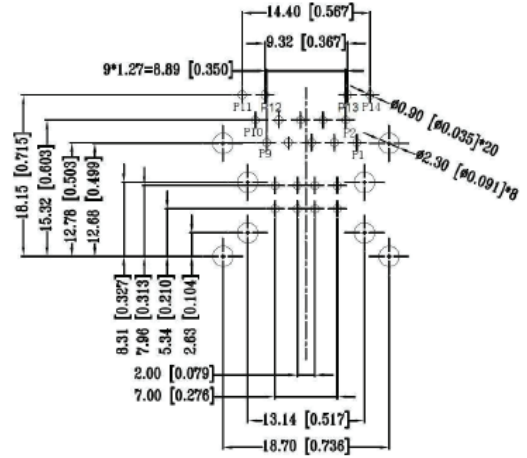
18.85 x 30.52 x 27.40 mm

MECHANICAL DIMENSIONS

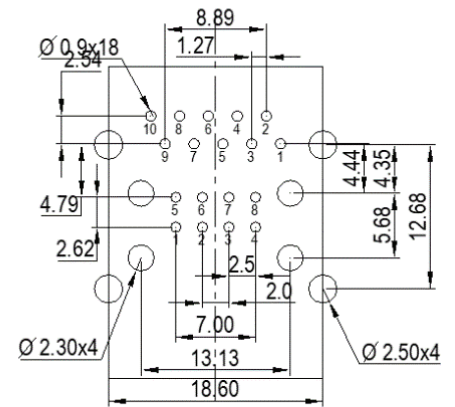
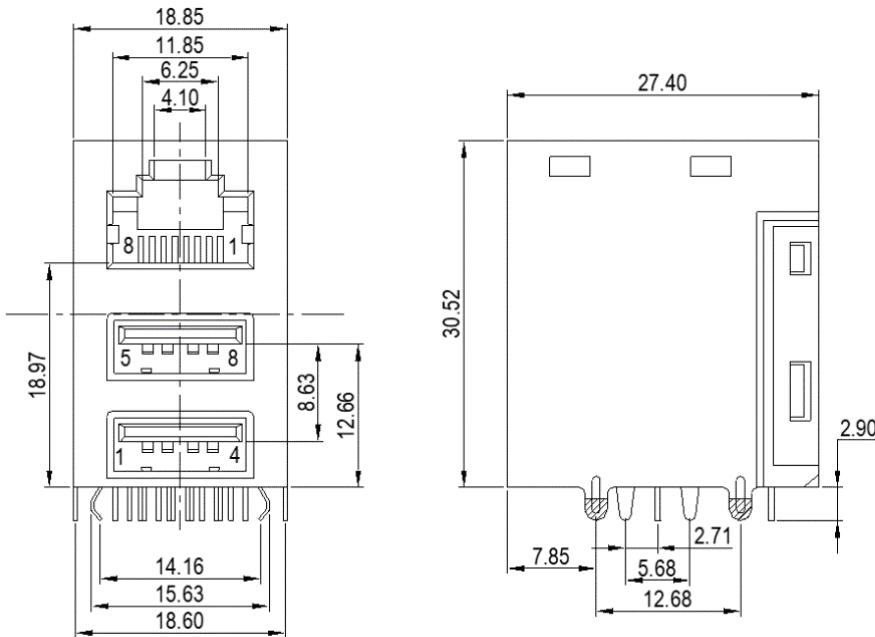
MC: 10PIN



Recommended PWB Layout (Component Side View):



MD: 10PIN



PC Board Layout
Component Side Shown

Dimension: mm. All tolerances are ± 0.25 unless otherwise specified

RJ45 Jack with 10/100/1000 Base-TX Magnetic/Dual USB Combo

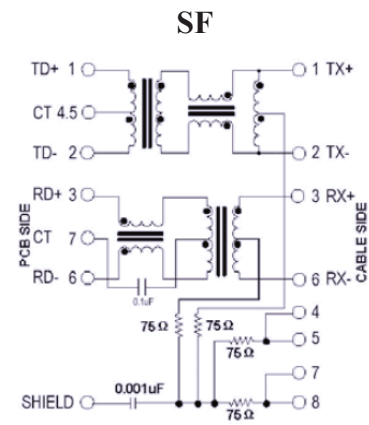
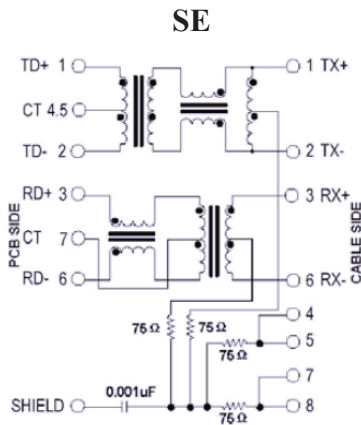
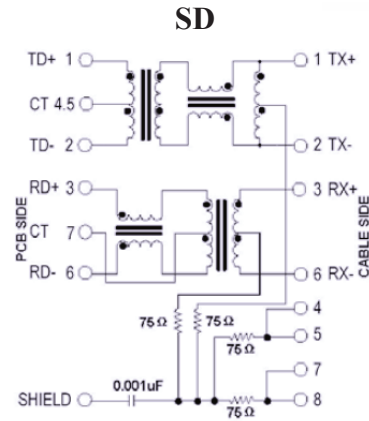
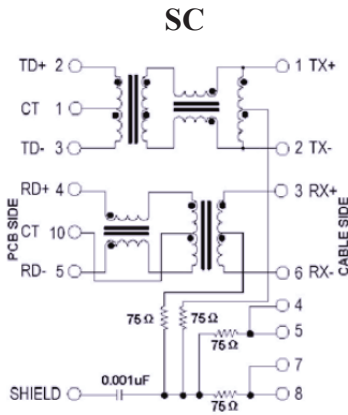
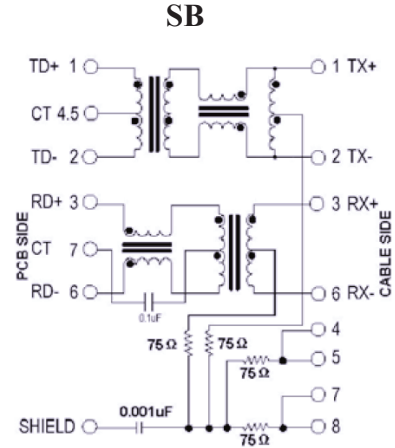
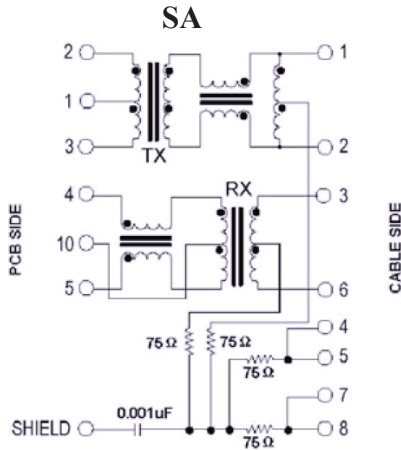
ARJU31B

RoHS
Compliant



18.85 x 30.52 x 27.40 mm

SCHEMATICS



RJ45 Jack with 10/100/1000 Base-TX Magnetic/Dual USB Combo

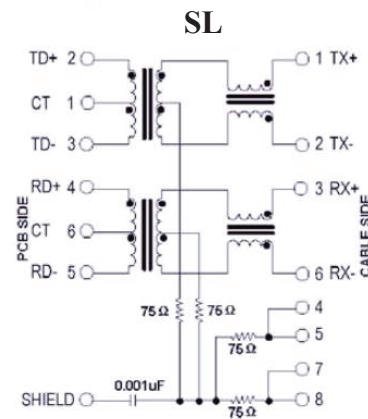
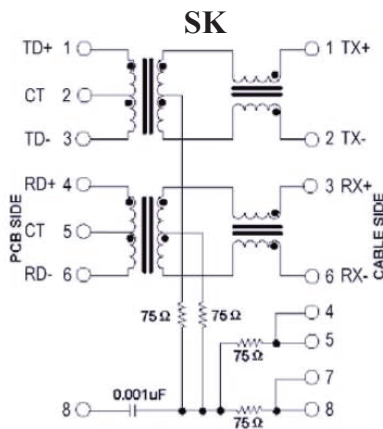
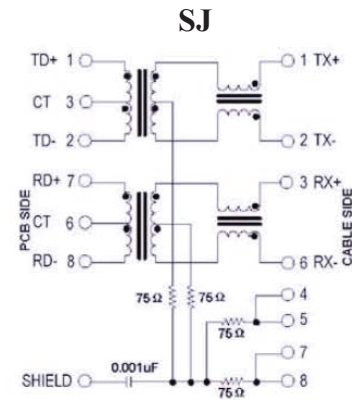
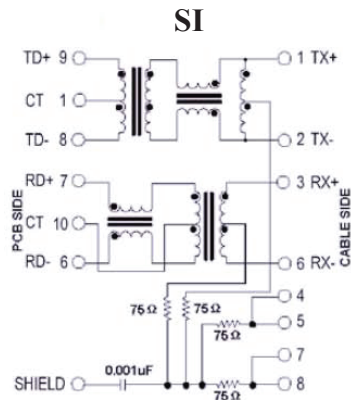
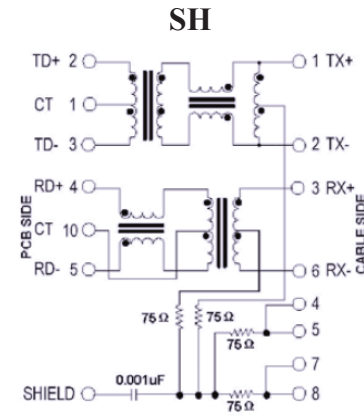
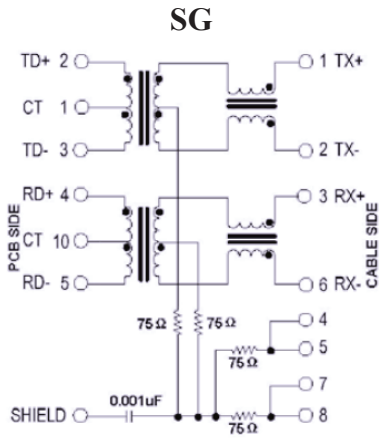
ARJU31B

RoHS
Compliant



18.85 x 30.52 x 27.40 mm

SCHEMATICS



RJ45 Jack with 10/100/1000 Base-TX Magnetic/Dual USB Combo

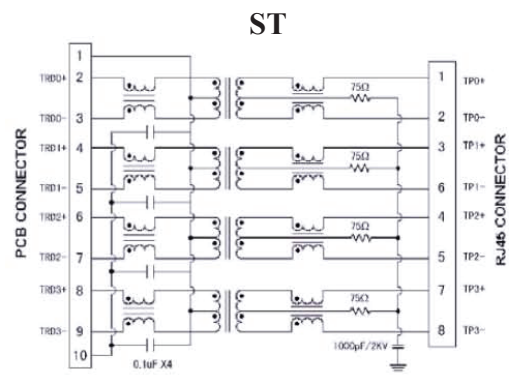
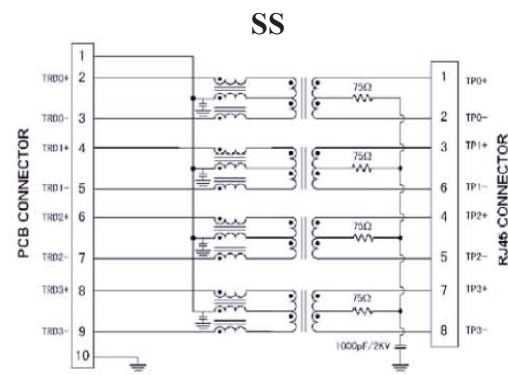
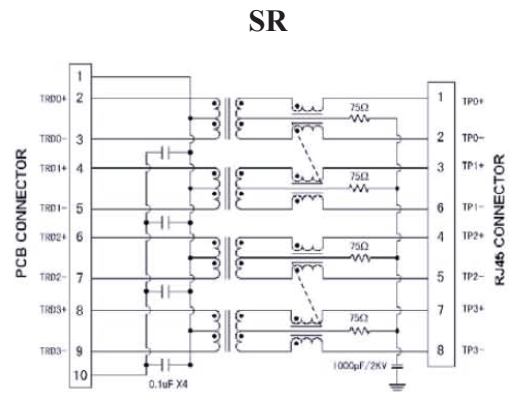
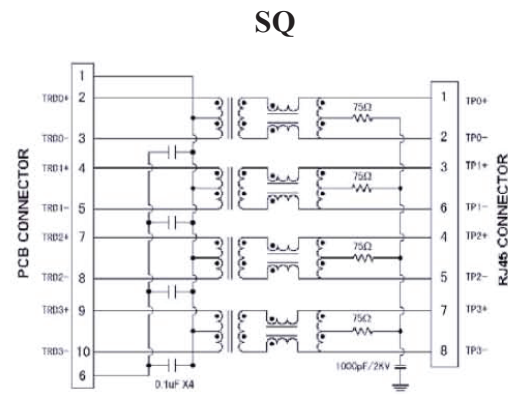
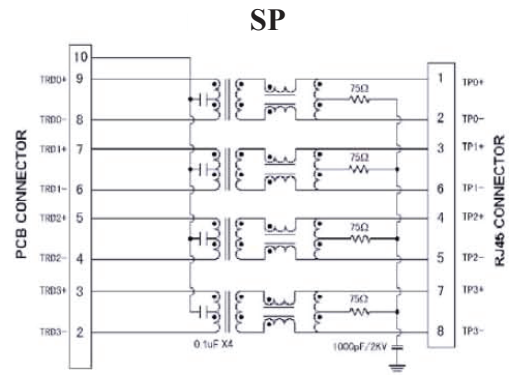
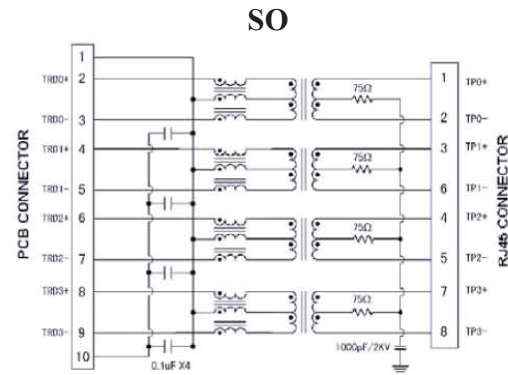
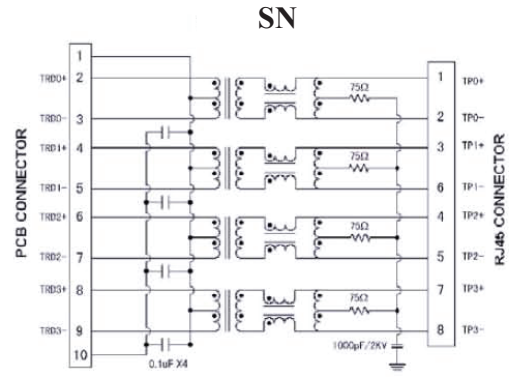
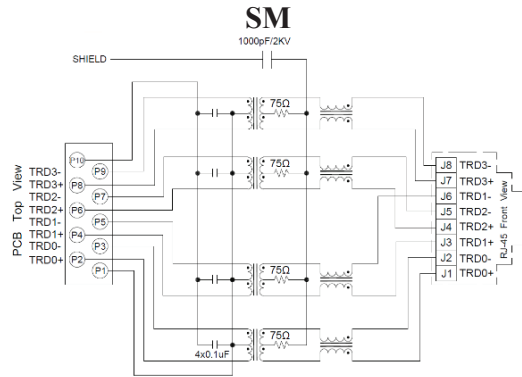
ARJU31B

RoHS
Compliant



18.85 x 30.52 x 27.40 mm

SCHEMATICS



RJ45 Jack with 10/100/1000 Base-TX Magnetic/Dual USB Combo

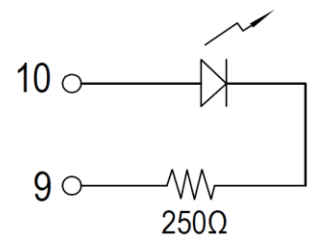
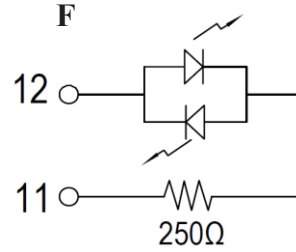
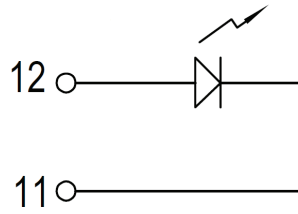
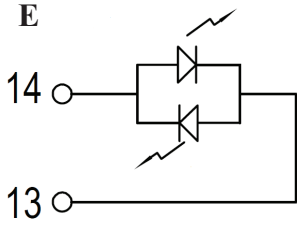
ARJU31B

RoHS
Compliant

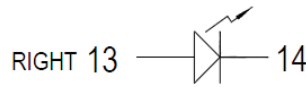
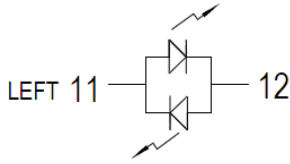


18.85 x 30.52 x 27.40 mm

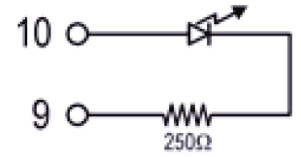
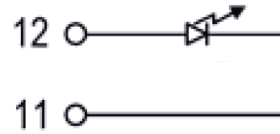
LED POLARITY



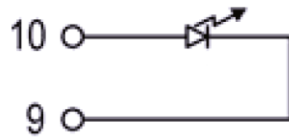
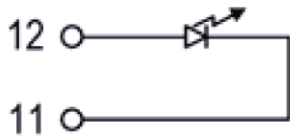
G



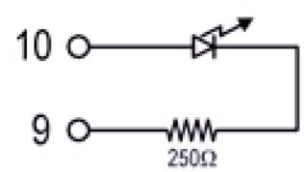
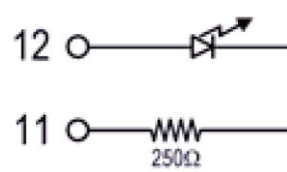
H



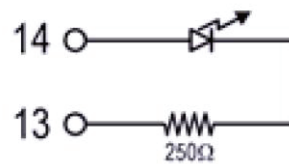
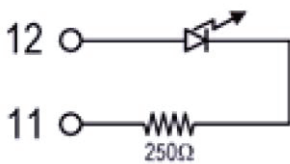
I



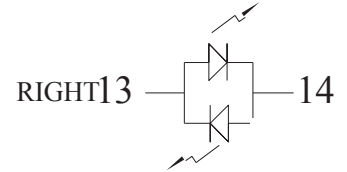
J



K



L



RJ45 Jack with 10/100/1000 Base-TX Magnetic/Dual USB Combo

ARJU31B

RoHS
Compliant

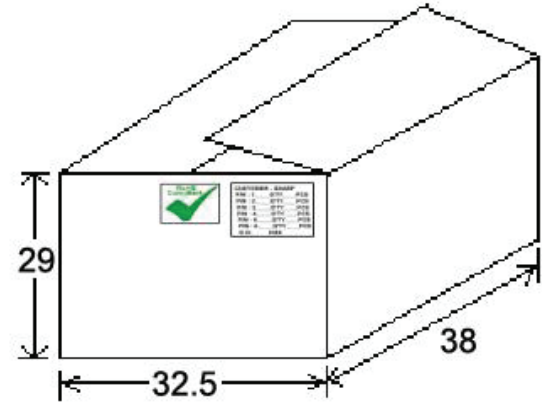
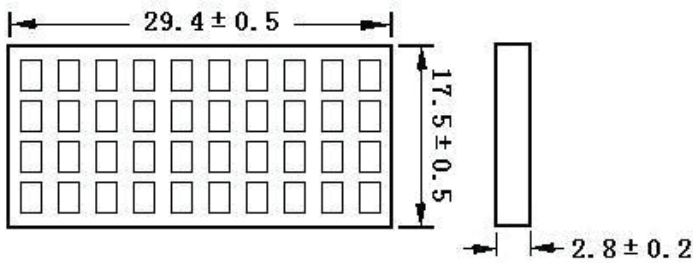


18.85 x 30.52 x 27.40 mm

PACKING: 40pcs/tray

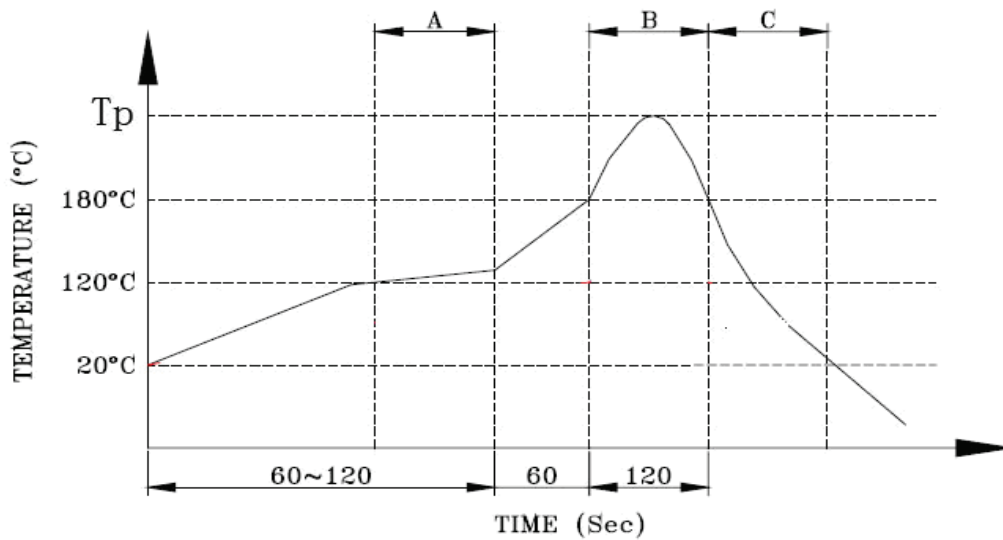
Packaging material: PET

Outer carton unit 560 pcs/ 14 Trays/box



Dimensions: cm

REFLOW PROFILE:



A. Preheating B. Soldering C. Gradual Cooling

Peak temperature(T_p) : $250 \pm 10^\circ\text{C}$

Peak temperature(T_p) time : 5sec max

ATTENTION: Abracon LLC's products are COTS – Commercial-Off-The-Shelf products; suitable for Commercial, Industrial and, where designated, Automotive Applications. Abracon's products are not specifically designed for Military, Aviation, Aerospace, Life-dependant Medical applications or any application requiring high reliability where component failure could result in loss of life and/or property. For applications requiring high reliability and/or presenting an extreme operating environment, written consent and authorization from Abracon LLC is required. Please contact Abracon LLC for more information.

X-ON Electronics

Largest Supplier of Electrical and Electronic Components

Click to view similar products for [Modular Connectors / Ethernet Connectors](#) category:

Click to view products by [ABRACON](#) manufacturer:

Other Similar products are found below :

[RJE231881317T](#) [MP1010RX-1000](#) [MP44RX-1000](#) [GAX-3-66](#) [GAX-8-62](#) [93606-0253](#) [GD-A-44](#) [GDCX-PA-66-50](#) [GDCX-PN-64](#) [GDCX-PN-66](#) [GDCX-PN-66-50](#) [GDLX-A-66](#) [GDLX-A-88](#) [GDLX-N-66](#) [GDLX-S-66](#) [GDLX-S-88K](#) [GDTX-S-88-50](#) [GDX-PA-1010](#) [GLX-N-1010M-BLK](#) [GLX-S-88M-BLK](#) [GMX-N-1010](#) [GMX-S-1010](#) [GMX-S-66](#) [GMX-SMT2-N-1010](#) [GMX-SMT2-N-64-50](#) [GMX-SMT2-N-88](#) [GMX-SMT2-S6-88](#) [GMX-SMT4-N-88](#) [GPX-2-64](#) [GRT1-BT1-5](#) [GSGX-N-2-88](#) [GSX-NS2-88-3.05](#) [GSX-NS2-88-3.05-50](#) [GSX-NS-88-3.05-30](#) [GSX-NS-88-3.05-50](#) [GSX-NS-88-3.68](#) [1-1775629-2](#) [GWLX-S-88-GR](#) [GWLX-S9-88-YG](#) [1300500326](#) [1300500227](#) [1300530003](#) [1300570002](#) [1324640-4](#) [RJ11FTVC2G](#) [RJ11FTVC2N](#) [RJFTVX2SA1G](#) [132764-001](#) [1400000](#) [1413235](#)